

Project Name: _____ Type: _____ Quantity: _____

INTENDED USE

The Architectural LED High-Performance Recessed Troffer is designed for seamless recessed mounting in modern commercial spaces. Available in 1x4, 2x2, and 2x4 sizes, it combines the classic look of a fluorescent luminaire with a sleek, contemporary design. Engineered with advanced LED technology, this fixture maximizes energy efficiency while providing uniform illumination. Ideal for commercial offices, hospitals, schools, government facilities, and public areas, these troffers are compatible with standard 15/16" inverted T-Bar grid ceilings, ensuring easy installation and a refined aesthetic.

FEATURES

- Construction:** Heavy gauge cold rolled steel
- Lens:** Frosted acrylic lens ensures soft, diffused light with excellent transmission and glare control
- Finish:** High-reflectivity white polyester polymer coating
- Mounting:** Recessed grid mounting
- Voltage:** 120/277VAC
- Dimming:** 0-10V
- CRI:** 82+
- Power Factor:** >0.9
- Life:** 100,000 Hours (L70 @ 25°C)
- Operating Temp:** 86°F-122°F
- Listings:** Independently tested to IESNA LM-79 and LM-80 specifications. ETL and cETL Listed Made in the USA
- Warranty:** 5 Years Carefree for Parts & Components (Labor Not Included)



Alcon 14061 Architectural LED High Performance Recessed Troffer

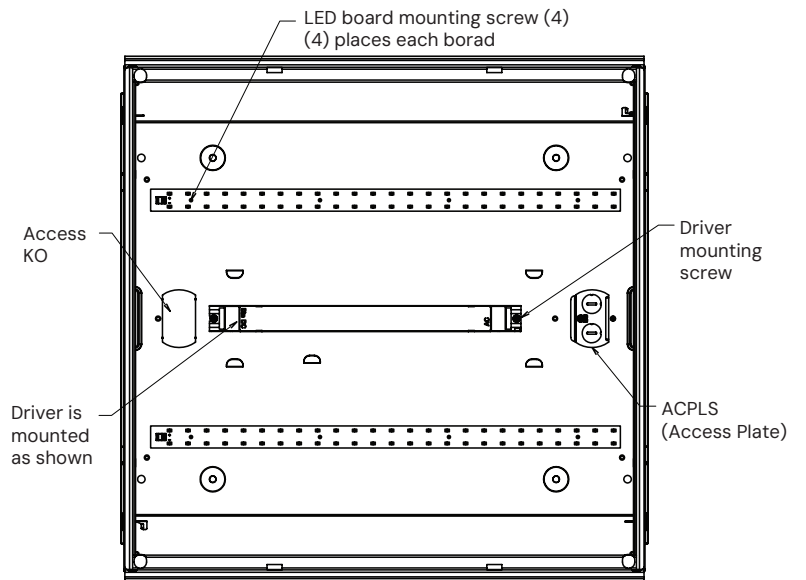
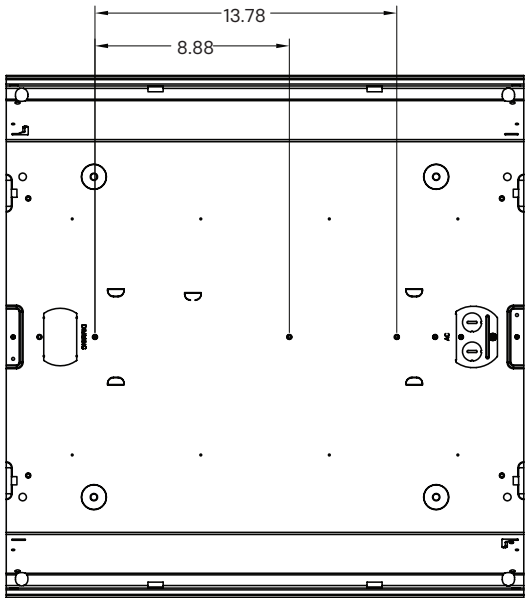
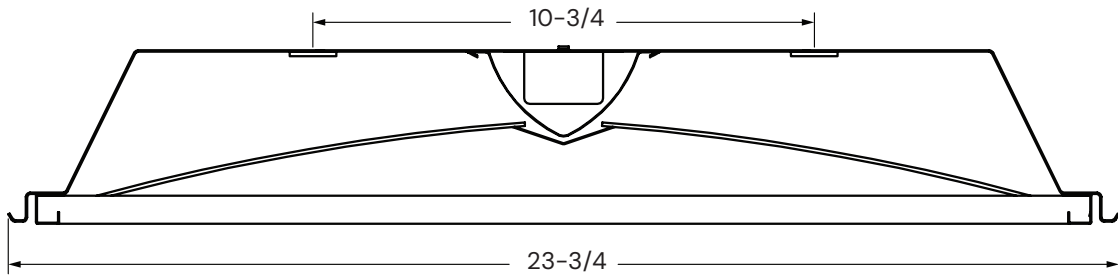
ORDERING INFORMATION Example:

Model	Size	Wattage Lumens ¹	Color Temp	Options
14061	14 1x4 Foot	33 33W 4650 lm	30K 3000K	EM12 12 Watt, 1200 lm Emergency Battery FC6 ³ 6-foot-long flexible conduit FK ⁴ Flange Kit SS ⁴ Surface Mount Shroud
	22 2x2 Foot	57 57W 7974 lm	35K 3500K	
	24 2x4 Foot	80 80W 11,150 lm	40K 4000K	
		86 86W 12,040 lm	50K 5000K	
		93 ² 93W 13,016 lm		
		112 ² 112W 15,728 lm		
		118 ² 118W 16,500 lm		
		143 ² 143W 20,000 lm		
	179 ² 179W 25,000 lm			

¹ Delivered Lumens shown were tested with 4000K color temp
² Only available in size 2x4 Foot
³ 6-foot-long flexible conduit that is pre-wired and used to connect the troffer light to the building's electrical system
⁴ Available in sizes 2x2 and 2x4

FIXTURE DIMENSIONS

Cross Section



COLOR TEMPERATURE GUIDE

2700K	3000K	3500K	4000K	5000K
WARM WHITE	SOFT WHITE GLOW	NEUTRAL GLOW	COOL WHITE GLOW	DAYLIGHT GLOW
friendly personal intimate	soft warm pleasing	sociable inviting non-threatening	neat clean efficient	bright cool alert
HOMES LIBRARIES RESTAURANTS	HOMES HOTEL ROOMS LOBBIES RETAIL STORES	EXECUTIVE OFFICES RECEPTION AREAS SUPERMARKETS	OFFICES CLASSROOMS MASS MERCHANDISERS SHOWROOMS	GRAPHICS INDUSTRY HOSPITALS GALLERIES BEAUTY SALONS
X	✓	✓	✓	✓