

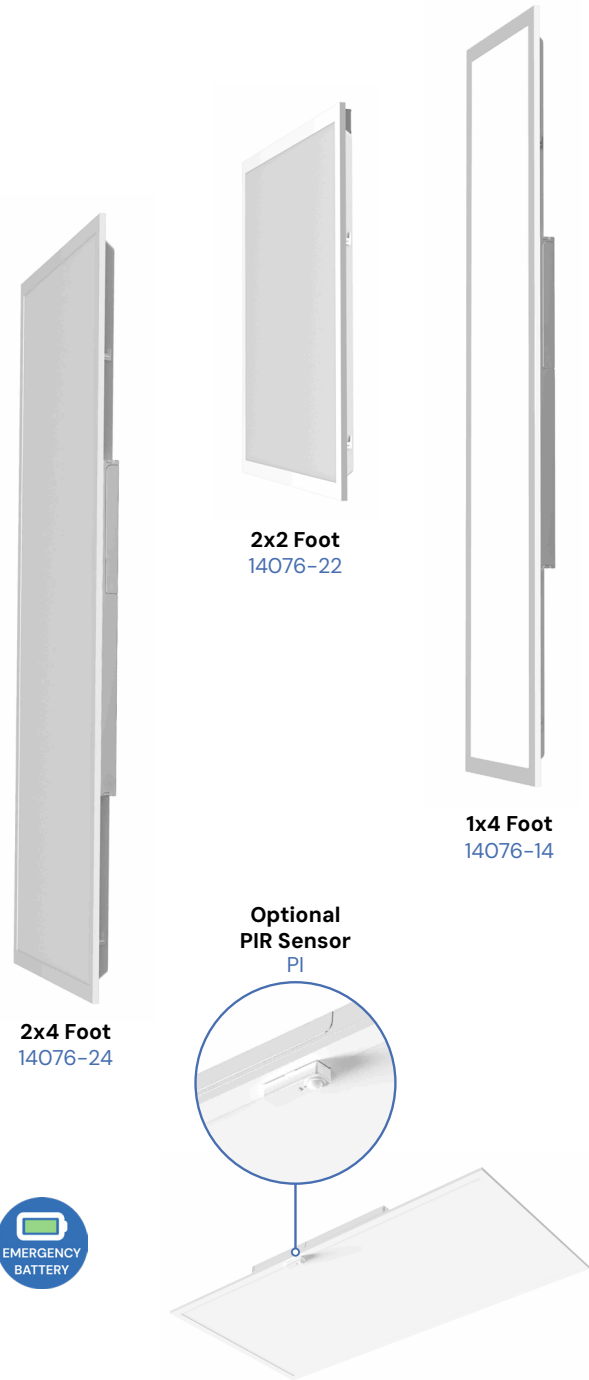
Project Name: _____ Type: _____ Quantity: _____

INTENDED USE

This Low-Profile Flat Panel Light with Wattage and Color Temperature Switch is a versatile, energy-efficient lighting solution for commercial spaces. Its sleek, backlit design ensures uniform illumination while fitting seamlessly into shallow plenums. With flexible mounting options—including surface, recessed, and pendant installations—it adapts to various applications. Optional sensor controls enhance energy efficiency, while an emergency battery backup ensures reliability during power outages. Ideal for schools, offices, healthcare facilities, and other commercial settings, this panel light delivers superior performance with advanced lighting control.

FEATURES

- Construction:** one-piece aluminum shell housing for enhanced durability
- Color Temperature:** 35/40/50K Selectable switch
- Finish:** White
- Voltage:** 120-277VAC
- Driver:** 0-10V dimming down to 10%
- Power Adjustable:** Each model features three selectable wattage levels for customized performance
- CRI:** 80+
- Power Factor:** ≥90%
- Total Harmonic Distortion:** <20%
- Operating Temperature:** -40°F to 104°F
- Life:** 50,000 Hours
- Optional Emergency Battery:** 8 Watts, 900 lumens, 90min
- Listing:** UL cUL, Damp location listed
- Warranty:** 5 years carefree for parts & components (Labor not included).

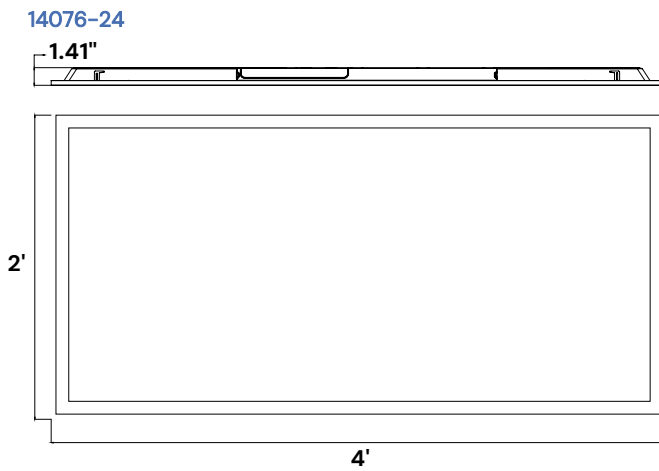
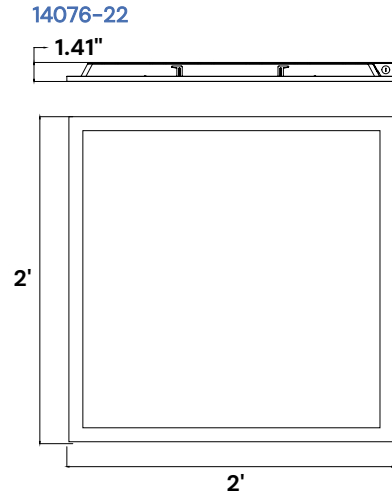
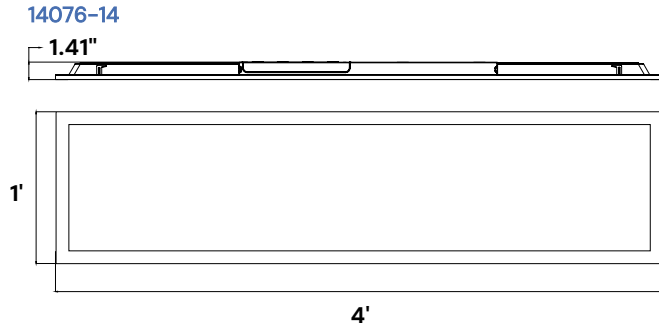


ORDERING INFORMATION Example:

Model	Mounting	Size	Options
14076	R Recessed S Surface P Pendant	14 1x4 Foot 22 2x2 Foot 24 2x4 Foot	PI PIR Sensor XEM8 8 Watt Emergency Battery (External)

¹ Plug-in PIR sensor with factory default settings: 100% sensitivity, 5-minute hold time, daylight sensor enabled, 30% dimming level, and 60-minute dimming duration.

LINE DRAWINGS



OPTIONS

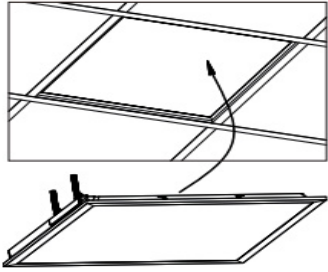


XEM8
8 Watt Emergency Battery
(External)
90 minutes producing 900 lumens

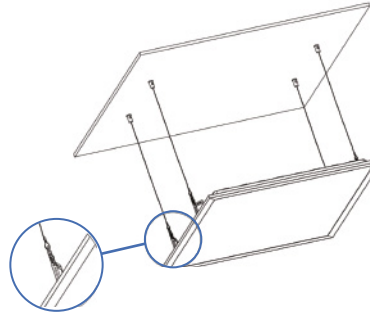


PI
PIR Sensor
12-24VDC — Plug-in PIR sensor with factory default settings: 100% sensitivity, 5-minute hold time, daylight sensor enabled, 30% dimming level, and 60-minute dimming duration.

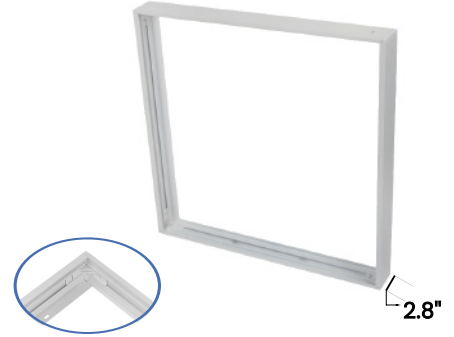
MOUNTING OPTIONS



14076-R
Recessed



14076-P
Pendant
Suspended with 39.4"
adjustable aircraft cables.



14076-S
Surface

PERFORMANCE DATA

14076-14, 14076-14 40 Watts							
SWITCH SETTING	SYSTEM WATTS	VOLTAGE	CRI	Beam angle	CCT SELECTABLE	LUMENS	LPW
LV1	40W	120-277V	>80	120°	3500K / 4000K / 5000K	4700lm	118 lm/W
LV2	30W	120-277V	>80	120°	3500K / 4000K / 5000K	3600lm	120 lm/W
LV3	20W	120-277V	>80	120°	3500K / 4000K / 5000K	2500lm	125 lm/W

14076-24 50 Watts							
SWITCH SETTING	SYSTEM WATTS	VOLTAGE	CRI	Beam angle	CCT SELECTABLE	LUMENS	LPW
LV1	50W	120-277V	>80	120°	3500K / 4000K / 5000K	6100lm	122 lm/W
LV2	40W	120-277V	>80	120°	3500K / 4000K / 5000K	4900lm	123 lm/W
LV3	30W	120-277V	>80	120°	3500K / 4000K / 5000K	3800lm	127 lm/W

COLOR TEMPERATURE GUIDE

2700K	3000K	3500K	4000K	5000K
WARM WHITE	SOFT WHITE GLOW	NEUTRAL GLOW	COOL WHITE GLOW	DAYLIGHT GLOW
friendly personal intimate	soft warm pleasing	sociable inviting non-threatening	neat clean efficient	bright cool alert
HOMES LIBRARIES RESTAURANTS	HOMES HOTEL ROOMS LOBBIES RETAIL STORES	EXECUTIVE OFFICES RECEPTION AREAS SUPERMARKETS	OFFICES CLASSROOMS MASS MERCHANDISERS SHOWROOMS	GRAPHICS INDUSTRY HOSPITALS GALLERIES BEAUTY SALONS
X	X	✓	✓	✓