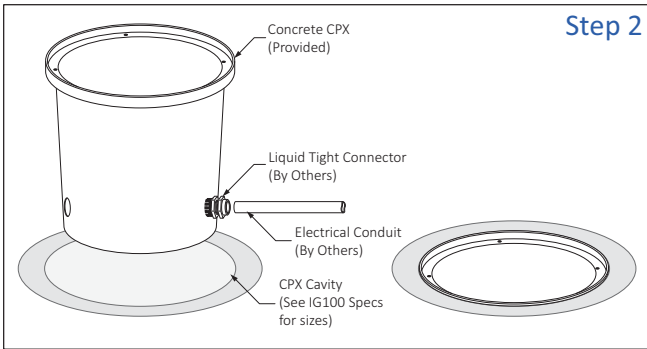
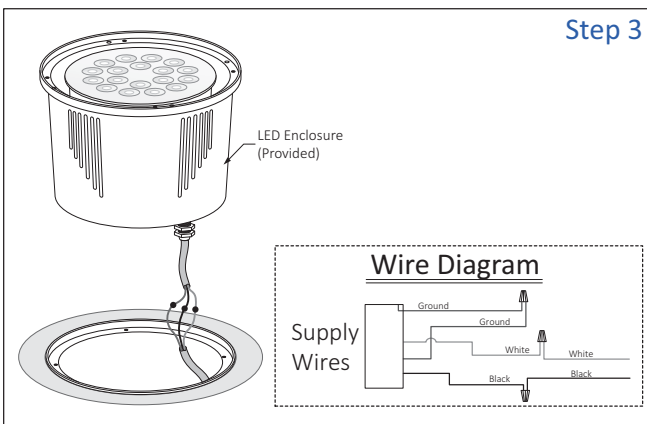


Step 1 - Disassemble Luminaire Parts for easy Installation:
a.- Remove Face Plate and LED Enclosure from Concrete CPX.



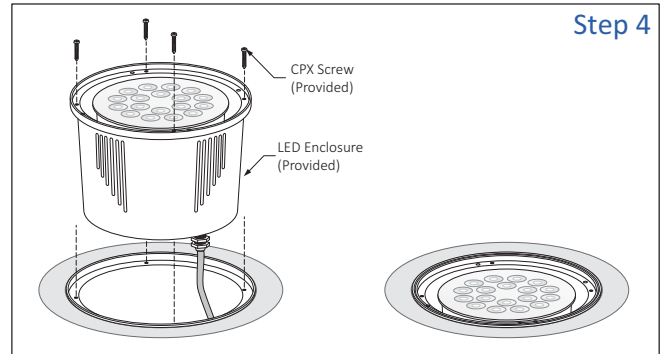
Step 2 - Install CPX in Concrete Pour Location:
a.- Prepare Concrete Pour location and install Electrical Conduit (by others) to the CPX using a Liquid Tight Connector (by others).



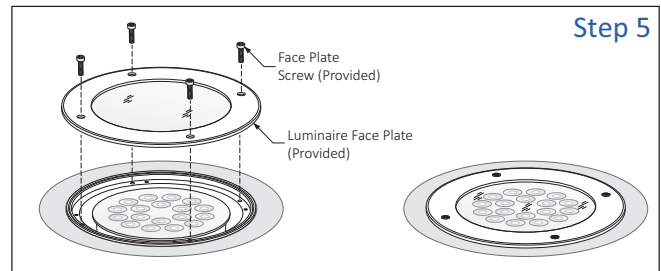
Step 3 - Connect LED Luminaire Enclosure:
a.- Run Power cord through the Conduit into the CPX, place LED Enclosure and make wiring connections, see Wire Diagram.

READ AND UNDERSTAND ALL INSTRUCTIONS BEFORE INSTALLATION. IF YOU ARE NOT FAMILIAR WITH THE NATIONAL ELECTRICAL CODE (NEC), CONTACT A QUALIFIED ELECTRICIAN TO INSTALL THIS LUMINAIRE.

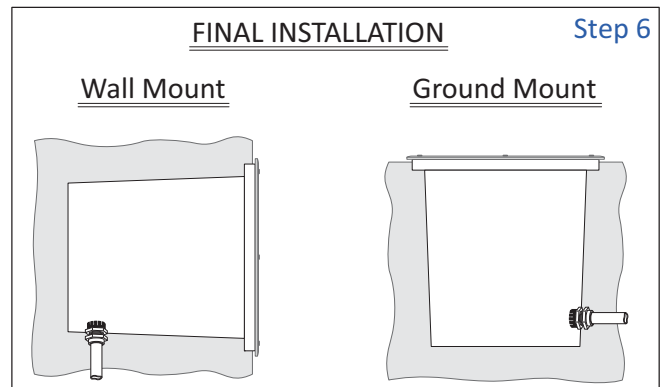
WARNING - Before installing this luminaire or doing any maintenance, turn off the power supply at the circuit breaker or fuse box. Turning the power off using the light switch is not sufficient to prevent electrical shock.



Step 4 - Install LED Luminaire Enclosure:
a.- Insert Luminaire Enclosure into the CPX, align the holes and fasten using the Screws (provided).



Step 5 - Install LED Luminaire Face Plate:
a.- Place Face Plate and align with the LED Enclosure holes and fasten using the Screws (provided).



Step 6 - Final Installation:
a.- Make sure to tight the Face Plate to seal the Luminaire properly.