



BEFORE YOU BEGIN

Read and follow all safety instructions



WARNING

RISK OF FIRE, EXPLOSION AND ELECTRIC SHOCK

- This product should be installed, inspected, and maintained by a qualified electrician only, in accordance with the NEC (National Electric Code) and all local codes.
- Turn off electrical power before inspection, installation or removal.
- Use only UL (or other NRTL) approved wire for input/output connections.
- Make sure LEDs and drivers are cool to touch when performing maintenance. Make sure the supply voltage is the same as the rated voltage of the luminaire.
- Do not install in a hazardous atmosphere, except where the ambient temperature does not exceed the rated operating temperature of the fixture.
- Keep tightly closed when in operation



Prepare Electrical Wiring



Electrical Requirements

Must check if the local voltage range is correspond with the working voltage of the fixture. Use min. 75°C supply.



Grounding Instructions

The grounding and bonding of the overall system shall be done in accordance with NEC Article 600 and local codes.



Follow all applicable safety procedures and use Personal Protective Equipment such as hardhats, safety glasses, reflective vest, electrical safety gloves, fall protection equipment and safety toe boots during the installation, operation, and maintenance of the luminaire.

*** Any damage caused from improper installation will void warranty and not be accepted for RGA (Return Goods Authorization). Improper installation includes but not limited to field-drilled hole(s), improper latch closure and any damage caused during installation.**

Contractor is responsible for adequately reinforcing ceilings to support luminaire weight. Alcon Lighting accepts no responsibility for inadequately reinforced ceilings. The information contained in this drawing is the sole property of Alcon Lighting. Any reproduction in part or whole without the written permission of Alcon Lighting is prohibited and warranty is voided.

WARNING

Risk of fire and electric shock

1. Disconnect power from the luminaire and follow proper lockout/tagout procedures before beginning installation maintenance. Contact a qualified electrician for installation
2. To prevent wiring damage or abrasion, do not expose wiring to edges of sheet metal or other sharp objects.
3. Fixture is for indoor use and should not be used in areas of limited ventilation or high-ambient temperature
4. The Luminaire is not available to face up for LED light, is only available for face down.

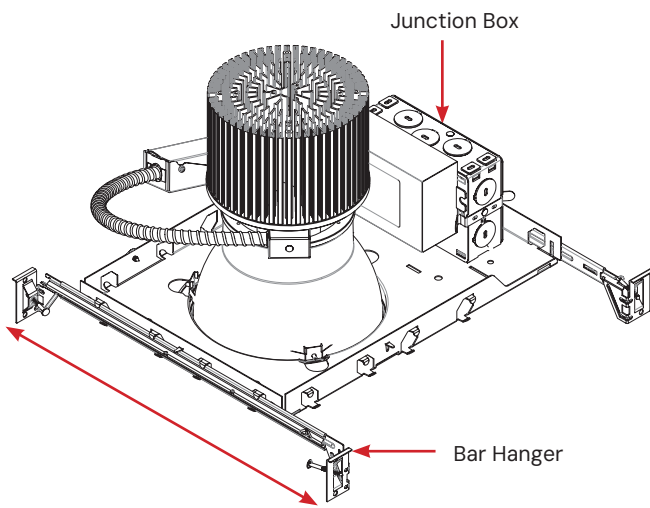


FIGURE 1

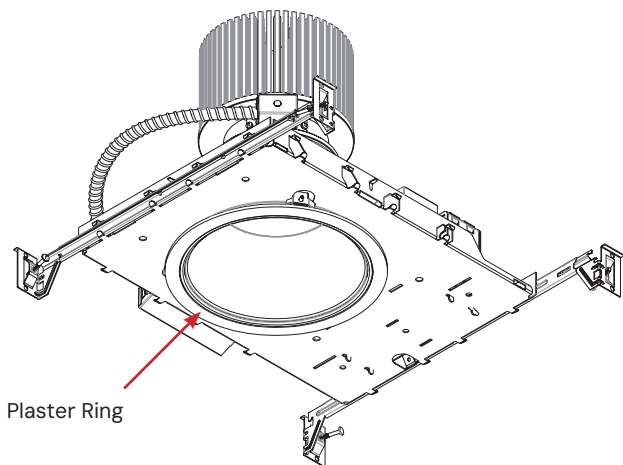


FIGURE 2

LUMINAIRE INSTALLATION

* Please wear the gloves to handle Reflector and Trim.

STEP 1

Mark the intended location of the luminaire and cut appropriate opening in the ceiling using the chart below:

CUTOUT DIMENSIONS	
14134-4	4-13/16" Dia. (122 mm)
14134-6	6-5/16" Dia. (160.6 mm)
14134-8	7-13/16" Dia. (199 mm)

STEP 2

Adjust the length of bar hangers in order to fit between the T-Grid ceiling. See *Figure 1*.

STEP 3

Securely mount the fixture by attaching hanger bars to T-Grid ceiling using provided screws. Make sure the plaster ring is flush with the bottom of the opening of the finished ceiling.

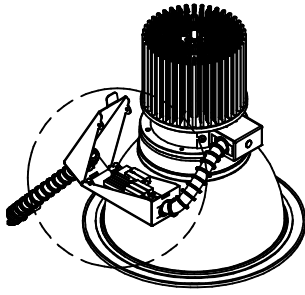
STEP 4

To slide luminaire back for making electrical connection, reach inside the Plaster Ring and pull up the luminaire back. See *Figure 2*.

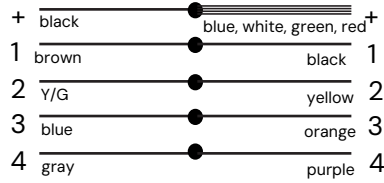
STEP 5

Remove one of the junction box covers and bring in appropriate power supply to the junction box using one of the knock-outs. See *Figure 1*.

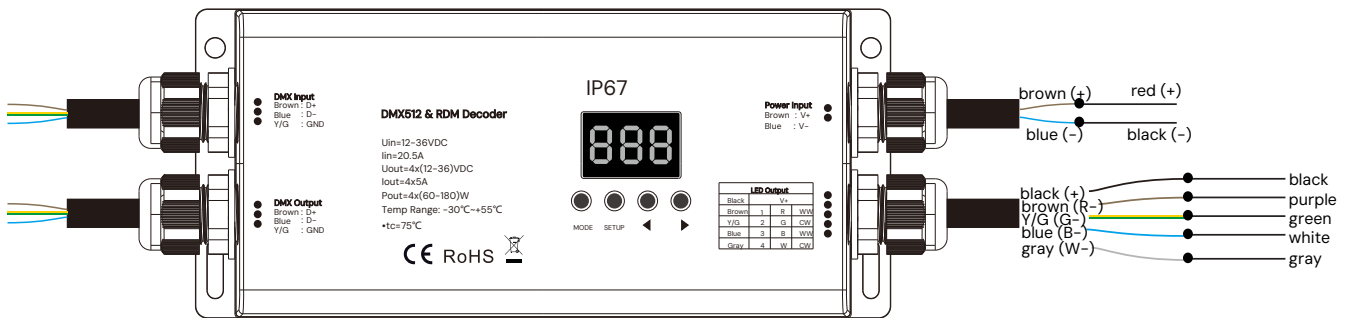
* See **Maintenance Sheet** for replacing luminaire.



Light engine wiring diagram



Wiring diagram to decoder (inside a remote box)



* Any damage caused from improper installation will void warranty and not be accepted for RGA (Return Goods Authorization). Improper installation includes but not limited to field-drilled hole(s), improper latch closure and any damage caused during installation.

Contractor is responsible for adequately reinforcing ceilings to support luminaire weight. Alcon Lighting accepts no responsibility for inadequately reinforced ceilings. The information contained in this drawing is the sole property of Alcon Lighting.

Any reproduction in part or whole without the written permission of Alcon Lighting is prohibited and warranty is voided.