



RISK OF FIRE AND ELECTRICAL SHOCK. FIXTURE MUST BE INSTALLED BY A QUALIFIED ELECTRICIAN ONLY IN ACCORDANCE WITH NATIONAL, LOCAL BUILDING AND ELECTRICAL CODES. DISCONNECT POWER AT ELECTRICAL PANEL BEFORE SERVICING.

IMPORTANT

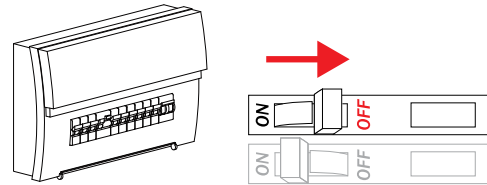
1. Carefully read all instructions before installation.
2. This LED troffer must be installed and maintained by a qualified professional.
3. Use a dedicated external LED driver to power the fixture.
4. Disconnect power before installation or maintenance.
5. Verify all wiring connections before turning on the power.
6. Allow adequate space for heat dissipation.
7. Do not cover the fixture with insulation or slim-layer materials.
8. Suitable for damp locations.
9. Ambient Temperature: -13°F (-25°C) to 113°F (45°C). Avoid direct sunlight.
10. Storage: Keep in a cool, dry environment.

SHOCK HAZARD

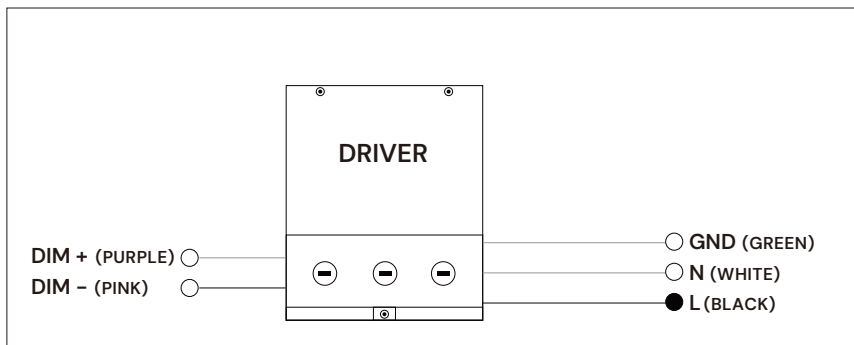


WARNING:

- Turn off power before installation.
- Power on only after completing installation and verifying the circuit.
- Ensure the mounting surface or structural support can withstand the LED panel's weight.



WIRING DIAGRAM

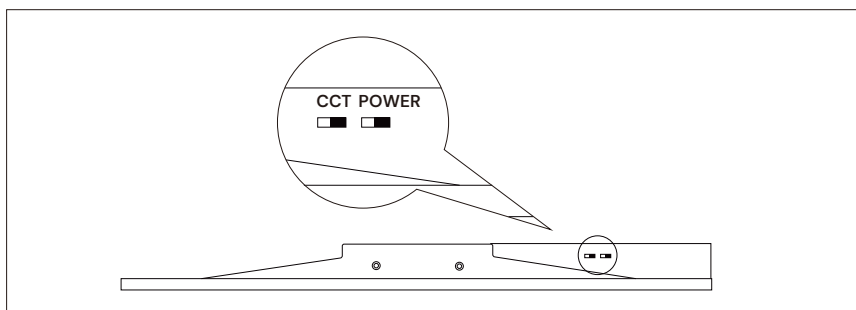


Electric Shock Attention

IMPORTANT: The power supply must be disconnected before wiring.

Installation and wiring must be performed by qualified professionals.

CCT & POWER SWITCH

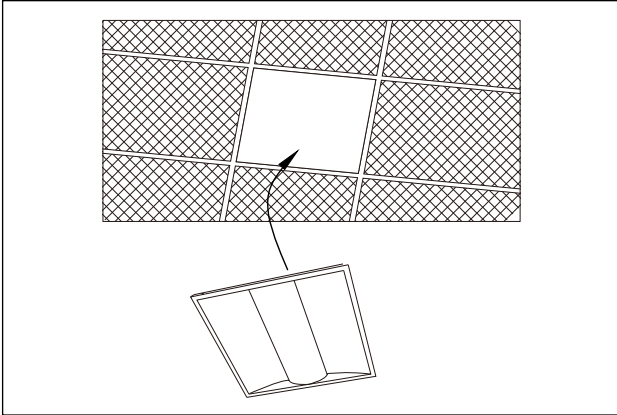




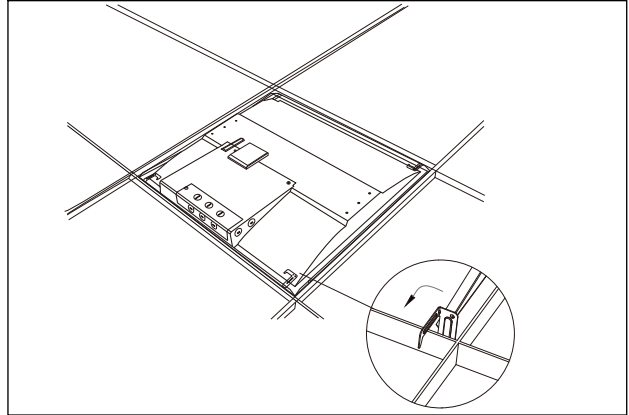
RISK OF FIRE AND ELECTRICAL SHOCK. FIXTURE MUST BE INSTALLED BY A QUALIFIED ELECTRICIAN ONLY IN ACCORDANCE WITH NATIONAL, LOCAL BUILDING AND ELECTRICAL CODES. DISCONNECT POWER AT ELECTRICAL PANEL BEFORE SERVICING.

Recessed Mount

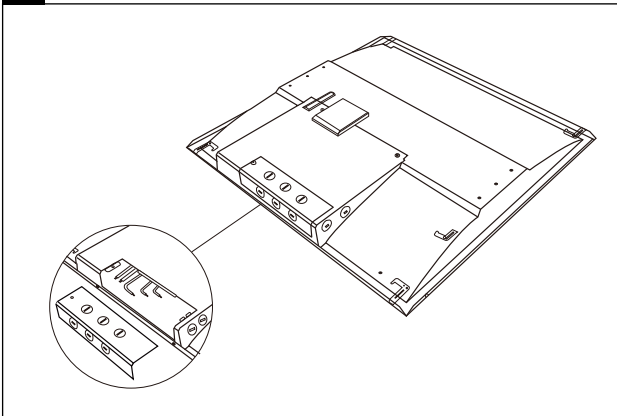
- 1** Replace existing lighting fixture from ceiling with LED Troffer.



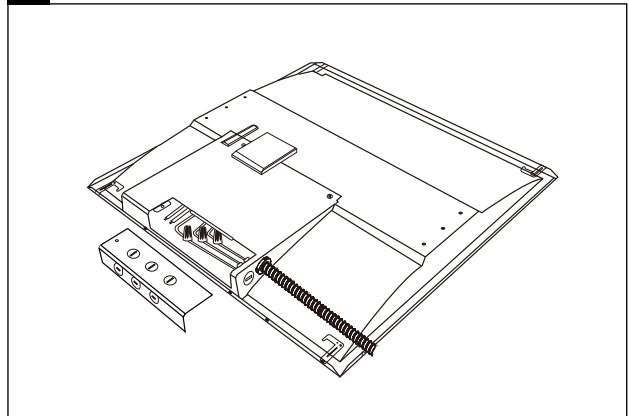
- 2** Use the protective brackets for the sake of safety.



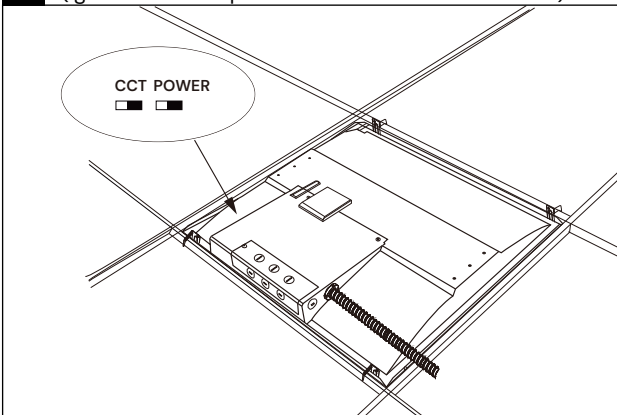
- 3** Unscrew the driver cover.



- 4** Connect other wires separately.



- 5** Select the desired CCT and wattage. (Ignore these steps if the function is not available.)



- 6** Put on the driver cover and fix with screw.

