

Project Name: _____ Type: _____ Quantity: _____

INTENDED USE

This recessed troffer features a back-lit center basket with a frosted polycarbonate lens, delivering uniform, volumetric illumination ideal for offices, schools, hospitals, and commercial spaces. Its advanced light distribution enhances visibility while minimizing glare and shadows. Engineered for energy efficiency, it offers a versatile lighting solution for modern environments.

FEATURES

- Construction:** Aluminum housing and white coat finish
- Wattage:** 2'x2' 15/20/25/30/40W and 2'x4' 25/30/35/40/50W selectable switch
- Voltage:** 120-277V
- Dimming:** 0-10V down to 10%
- Color Temperature:** 35/40/50/57/65K selectable switch
- Operating Temperature:** -4°F (-20°C) ~ 104°F (40°C)
- CRI:** 80+
- Life:** 50,000 hours
- Warranty:** 5 Years carefree for parts & components (Labor not included)
- Listings:** UL, listed for damp locations, ETL listed, DLC qualified



Alcon Lighting 14150 Architectural Center Basket LED Troffer



ORDERING INFORMATION Example:

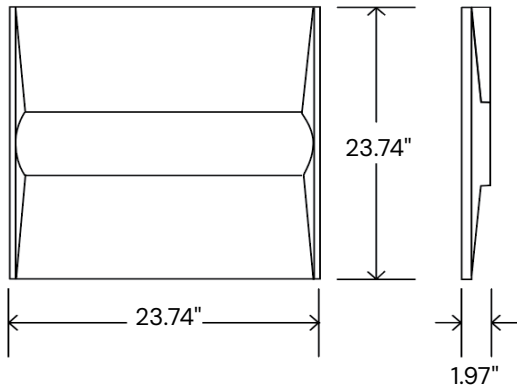
Model	Size
14150	22 2' x 2'
	24 2' x 4'

LUMINOUS EFFICACY

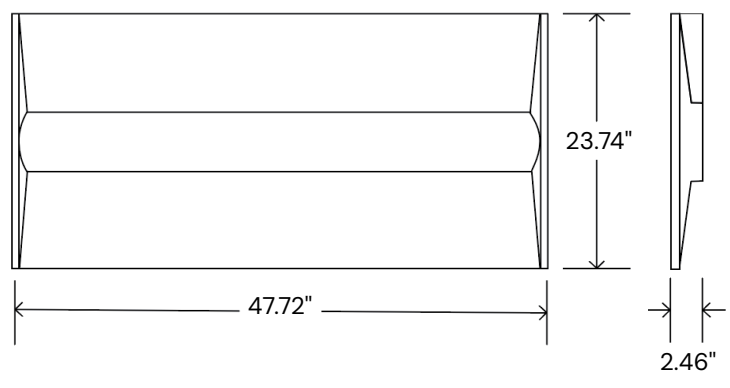
2'x2'				2'x4'			
Wattage Selectable	Lumens	Efficacy	CCT Adjustable	Wattage Selectable	Lumens	Efficacy	CCT Adjustable
40W	5000 lm	125 lm/W	35/40/50/57/65K	50W	6250 lm	125 lm/W	35/40/50/57/65K
30W	3750 lm			40W	5000 lm		
25W	3250 lm	130 lm/W		35W	4550 lm	130 lm/W	
20W	2600 lm			30W	3900 lm		
15W	1950 lm			25W	3250 lm		

DIMENSIONS

2' x 2'

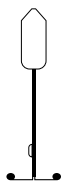


2' x 4'



T-GRIDS CEILING COMPATIBILITY

9/16" T-bar



Suprafine XL

9/16" Screw Slot

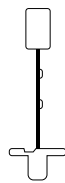


Silhouette 1/4" XL



Silhouette 1/8" XL

9/16" Interlude

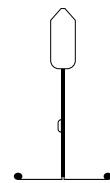


Interlude XL



Sonata XL

15/16" T-bar



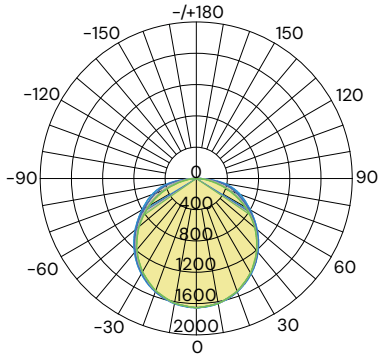
Prelude XL



Clean Room

PHOTOMETRY

2' x 2' / 3500K



AVERAGE BEAM ANGLE (50%): 114.2°

Lumens: 4902.7 Lms
Watts: 40 W
LPW: 115.97 Lm/W
CCT: 3500K

- UNIT:cd
 — CO/180, 117.7°
 — C30/210, 115.6°
 — C60/240, 112.5°
 — C90/270, 111.0°

Zonal Flux Diagram

T	CO	C45	C90	C135	C180
5	1645	1638	1637	1638	1645
10	1623	1617	1623	1618	1624
15	1589	1585	1579	1587	1589
20	1540	1531	1535	1533	1541
25	1480	1471	1463	1473	1842
30	1408	1396	1392	1399	1410
35	1324	1309	1299	1313	1327
40	1231	1216	1205	1222	1234
45	1128	1108	1092	1113	1133
50	1019	1000	979.1	1004	1025
55	906.7	876.2	850.4	883.3	914.2
60	798.5	754.3	721.6	764.0	805.9
65	695.8	630.3	581.8	639.9	704.9
70	599.6	512.4	441.9	522.5	606.7
75	493.7	400.5	305.0	411.6	496.9
80	366.6	281.9	168.1	291.5	365.8
85	162.4	150.6	86.45	156.5	147.8
90	3.171	4.785	4.763	4.609	4.411
DEG	LUMINOUS INTENSITY:cd				

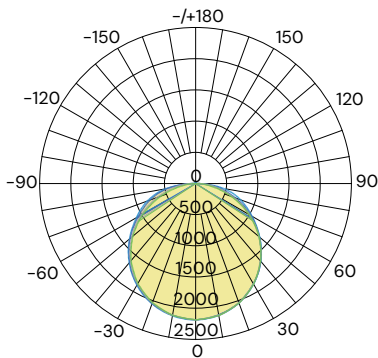
Zonal Lumens

T	φ total
0-5	39.29
5-10	155.7
10-15	345.5
15-20	601.9
20-25	916.4
25-30	1278
30-35	1676
35-40	2096
40-45	2525
45-50	2949
50-55	3355
55-60	3731
60-65	4067
65-70	4356
70-75	4592
75-80	4767
80-85	4871
85-90	4903
UNIT: lm	

Luminance cd/(m2)

G(DEG)	CO/180	C90/270
85	5176	2755
80	5864	2690
75	5298	3274
70	4870	3589
65	4574	3824
60	4436	4009
55	4391	4118
50	4406	4231
45	4433	4289

2' x 4' / 3500K



AVERAGE BEAM ANGLE (50%): 115.9°

Lumens: 6581.2 Lms
Watts: 50 W
LPW: 129.41 Lm/W
CCT: 3500K

- UNIT:cd
 — CO/180, 118.6°
 — C30/210, 117.1°
 — C60/240, 114.6°
 — C90/270, 113.5°

Zonal Flux Diagram

T	CO	C45	C90	C135	C180
5	2173	2166	2167	2169	2177
10	2144	2138	2149	2145	2152
15	2099	2097	2095	2107	2109
20	2035	2027	2040	2050	2034
25	1956	1951	1951	1966	1975
30	1861	1855	1862	1872	1884
35	1751	1742	1743	1764	1778
40	1627	1621	1624	1647	1659
45	1490	1479	1477	1506	1527
50	1345	1336	1330	1365	1386
55	1193	1171	1160	1206	1240
60	1046	1008	989.1	1048	1098
65	904.9	840.3	800.4	882.4	964.3
70	768.6	681.2	611.7	717.3	828.8
75	622.9	530.3	424.2	550.3	671.1
80	455.1	367.7	236.8	383.9	488.2
85	210.5	191.2	122.6	204.4	210.7
90	4.488	6.035	8.465	6.436	5.743
DEG	LUMINOUS INTENSITY:cd				

Zonal Lumens

T	φ total
0-5	51.98
5-10	206.1
10-15	457.6
15-20	797.9
20-25	1216
25-30	1699
30-35	2231
35-40	2794
40-45	3371
45-50	3943
50-55	4493
55-60	5002
60-65	5459
65-70	5848
70-75	6161
75-80	6393
80-85	6535
85-90	6581
UNIT: lm	

Luminance cd/(m2)

G(DEG)	CO/180	C90/270
85	3354	1954
80	3640	1894
75	3343	2277
70	3121	2484
65	2974	2630
60	2906	2748
55	2890	2808
50	2906	2874
45	2927	2901

COMPATIBLE DIMMERS

				
0-10 V	2100 2101 2102	NTSTV DVSTV	IP-710	RH4FBL3

COLOR TEMPERATURE GUIDE

2700K WARM WHITE friendly personal intimate HOMES LIBRARIES RESTAURANTS X	3000K SOFT WHITE GLOW soft warm pleasing HOMES HOTEL ROOMS LOBBIES RETAIL STORES X	3500K NEUTRAL GLOW sociable inviting non-threatening EXECUTIVE OFFICES RECEPTION AREAS SUPERMARKETS ✓	4000K COOL WHITE GLOW neat clean efficient OFFICES CLASSROOMS MASS MERCHANDISERS SHOWROOMS ✓	5000K DAYLIGHT GLOW bright cool alert GRAPHICS INDUSTRY HOSPITALS GALLERIES BEAUTY SALONS ✓
---	---	---	---	--