

Project Name: \_\_\_\_\_ Type: \_\_\_\_\_ Quantity: \_\_\_\_\_

## INTENDED USE

The specification grade UFO helmet series LED round high bay light fixture provides energy efficient high bay with 170lms/W output, lighting with excellent protection against light beam intensity and heat conduction. The luminaire is made with an 0-10V dimmable driver for stability, high performance and long life. You can choose either a 3,000K warm white, 4,000K cool white or 5,000K daylight color temperature, and change the power with a simple switch. Perfect for gymnasiums, warehouses, industrial facilities and other commercial high bay applications, the UFO helmet series unique lightweight aluminum alloy design with loop heat pipe allows for excellent heat dissipation.

## FEATURES

- Construction:** Die-cast Aluminum
- Reflector Option:** 16" Polycarbonate Reflector
- Lens:** Anti-glare polycarbonate and bottom conical lens available as accessory.
- Color temperature selectable switch:** 3,000K, 4,000K, and 5,000K.
- Suspension length:** 4 foot cord
- Dimming:** 0-10V
- Voltage:** 120-277 VAC
- CRI:** 80
- Power Factor:** >0.9
- THD:** <20%
- Life:** >141,000 hrs
- Operating Temperature:** -40 to 149°F (-40 to 65°C)
- Warranty:** 5 years carefree for parts & components (labor not included)
- Listings:** cUL Certified, DLC Listed, FCC Listed, IP69K



Infrared Motion sensor



Polycarbonate Reflector



Bottom Conical Lens

Size	Wattage	Lumens
9-1/16"	100W   120W   150W	17,000lms   20,400lms   25,500lms
12-3/16"	100W   150W   200W	17,000lms   20,400lms   34,000lms
16-9/16"	300W   400W   500W	51,000lms   68,000lms   85,000lms

### PACKAGE CONTENTS:

Description	Q-ty	A
Industrial Kitchen LED UFO High Bay Light	1	
Mounting ring (A)	1	



## ORDERING INFORMATION Example:

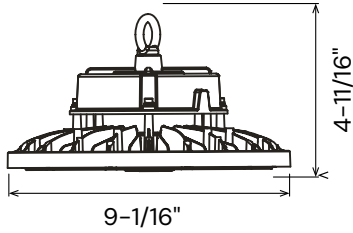
Model	Mounting	Size <sup>2</sup>	Finish	Optional Accessories	Options
<b>15130</b>	<b>Blank</b> Standard <b>P</b> Pendant with Junction box <b>s</b> Surface	<b>9<sup>3</sup></b> 9-1/16" <b>12<sup>4</sup></b> 12-3/16" <b>16<sup>5</sup></b> 16-9/16"	<b>BK</b> Black <b>WH<sup>6</sup></b> White	<b>PR</b> 16" Polycarbonate Reflector <b>PBL<sup>7</sup></b> Polycarbonate bottom conical lens <b>SH<sup>8</sup></b> Spring hook	<b>EM4<sup>9</sup></b> 40W External Emergency Battery <b>EM6<sup>9</sup></b> 60W External Emergency Battery <b>IMS</b> Infrared Motion Sensor <b>RC<sup>10</sup></b> Remote Control for Infrared Motion Sensor

<sup>1</sup> Fixture comes standard with a ring in which a chain (not included) can be attached for mounting.  
<sup>2</sup> Size refers to fixture's diameter, see further information in page 2.  
<sup>3</sup> 9-1/16" available in 100W, 120W, and 150W.  
<sup>4</sup> 12-3/16" available in 100W, 150W, and 200W.  
<sup>5</sup> 16-9/16" available in 300W, 400W, and 500W.  
<sup>6</sup> White finish not available for size 16-9/16"  
<sup>7</sup> Polycarbonate bottom conical lens only compatible with Polycarbonate reflector.  
<sup>8</sup> Spring hook is ideal for installing fixture to ceiling, not available for size 16-9/16. See measurements in page 2.  
<sup>9</sup> Remote test switch for External Emergency Battery is included. Not available for 500W.  
<sup>10</sup> Suggested for programming high volume of fixtures.

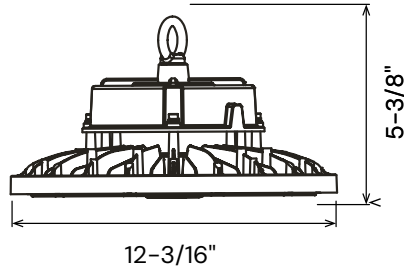
Alcon Lighting 15130 Industrial Kitchen LED UFO High Bay Light

LINE DRAWINGS

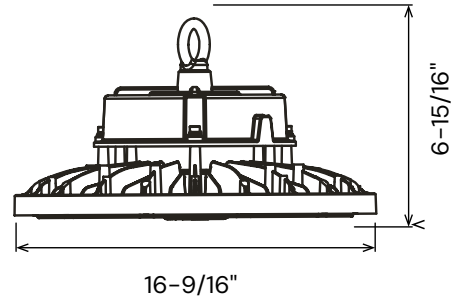
15130-9



15130-12

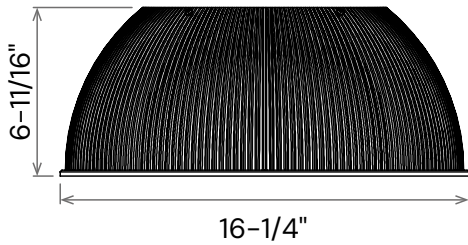


15130-16

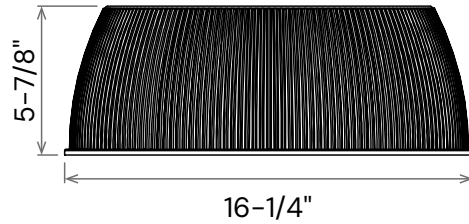


Polycarbonate reflector 16" 90°

100W and 150W

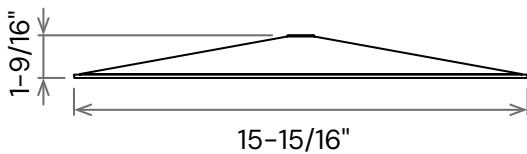


200W +



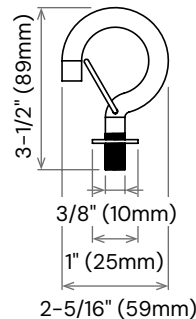
Polycarbonate bottom conical lens

PBL



Spring hook

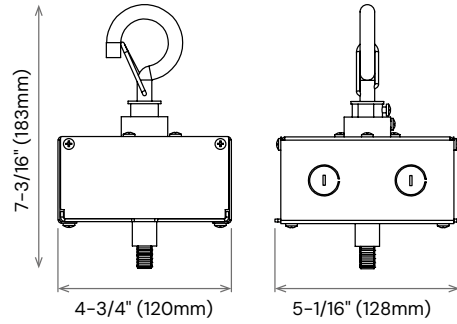
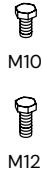
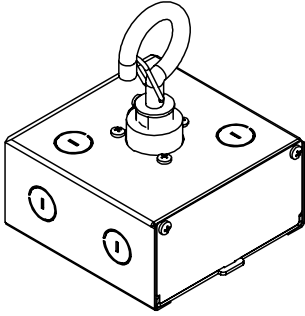
SH



## MOUNTING

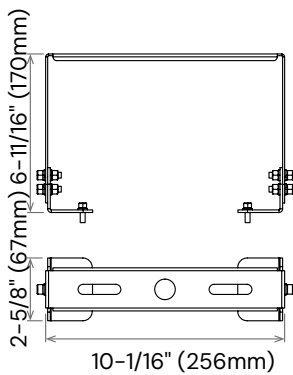
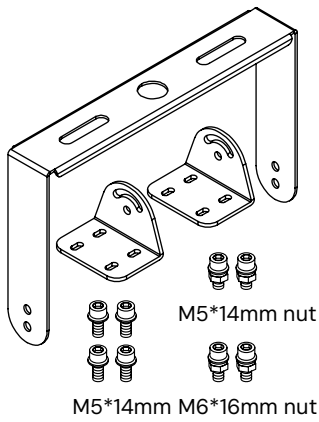
### Pendant mount bracket with j-box and spring hook

15130-PJ

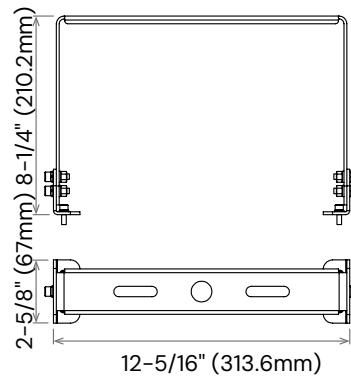
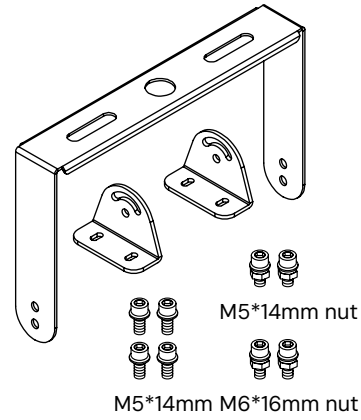


### Surface mount bracket

15130-S | 100-300 Watts



15130-S | 400-500 Watts

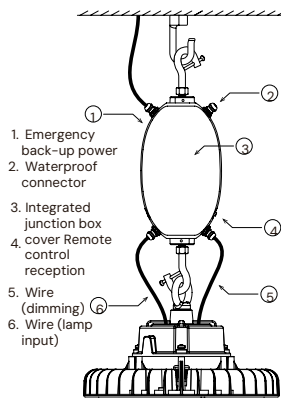
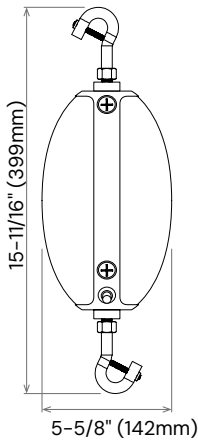


## EXTERNAL EMERGENCY BATTERY KIT

EM6, EM6 listed for field and factory installation, provides constant power output to the load during emergency mode operation. They maintain illumination in emergency mode for a minimum of 90 minutes. It is an ideal emergency solution for UFO Helmut Series Architectural LED Round High Bay Light Fixture

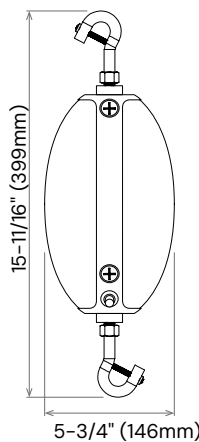
### 40W External Emergency Battery

#### EM4



### 60W External Emergency Battery

#### EM6



### Remote test switch for External Emergency Battery

Press the ON button to switch battery to the back-up mode. The indicator light will turn off and fixture will decrease light output.

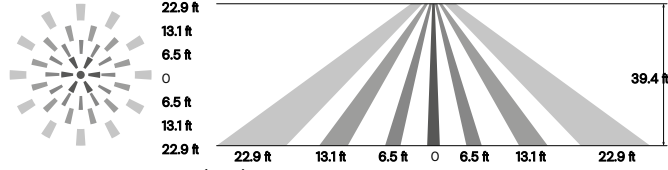
Press OFF to switch the fixture to normal operation mode.



Specifications	EM4	EM6
<b>Input voltage</b>	100-347 V	
<b>Input current</b>	≤ 200 mA	
<b>Input power</b>	max 15W	
<b>Standby input power</b>	< 0.8W (finished charging)	
<b>Maximum standby time between recharges</b>	6 months	
<b>Driver type</b>	Constant power	
<b>Output power (emergency mode)</b>	40W	60W
<b>Output voltage range</b>	≤ 170 Vdc	
<b>Lumens</b>	6,000 lm	
<b>Maximum load power</b>	300W (when dimming to a minimum, the power needs to be less than 36W)	
<b>Peak output power (emergency mode)</b>	100W (lasts for 10 seconds)	
<b>Number of output channels</b>	1 channel	
<b>RFI/EMI</b>	FCC part 15 class B	
<b>Output type</b>	LED class 1	
<b>Battery type</b>	Li-ion	
<b>Battery capacity available</b>	2600 mAh (96 WH)	
<b>Battery recharge time</b>	24 hours	
<b>Battery discharge time</b>	90 min	
<b>Maximum lighting fixture weight</b>	44.1 lbs (20 kg)	
<b>Self-diagnostic test system</b>	In the normal charging mode, the system performs a self-diagnostic test every 30 days, the system switches to emergency mode for 30S, and then automatically switches back to the normal charging mode.	
	In the normal charging mode, the system switches to emergency mode every 360 days (after 11 monthly self-diagnostic test) and works until the end of discharge. Automatically switches back to normal charging mode after discharge.	
<b>Operating temperature</b>	-32°F to 122°F (0°C to 50°C)	
<b>Service life</b>	50,000 hours	
<b>Input surge protection</b>	2 kV	
<b>Protections</b>	Battery over discharge protection, output short circuit protection	
<b>Approvals/class</b>	RoHS, UL924 listed, CEC title 20	
	Dry/Wet Locations, IP65	

## INFRARED MOTION SENSOR KIT

IMS



Mounting User notes:

1. The driver voltage shall be stable and float within 10%.
2. Detection area options may NOT working obviously because it works depends on fresnel lens, it's physically defined.
3. Detection distance performance works better when moving parallel to the sensor as opposed to towards it.
4. Conduct testing with adequate ambient lighting for best results.
5. Dimming performance differs when connected to different drivers; If the driver can't completely turn OFF, sensor can't either.
6. The first time powering ON the sensor, light will be ON 100% for about 45S then dims to standby level or OFF.

Installation precautions:

1. PIR sensor can't be placed inside any material, fresnel lens must be completely exposed in air.
2. Fresnel lens of the PIR sensor must be lower than light fixture.
3. Suitable for ceiling mount installation, adjust sensitivity properly if it's installed on a wall because it will become more sensitive.

Application environment:

1. Suitable for indoor application, half/completely outdoor environment conditions might trigger the sensor.
2. Not suitable environment if there's sudden changed temperature of airflow for PIR sensor.
3. Not suitable environment if there's shelves between the sensor and target area.
4. Shall be mounted securely, to avoid any false triggers caused by movement of the fixture itself.

### Default Setting:

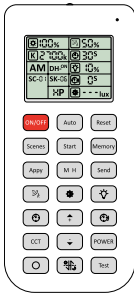
Specifications	
Detection area	100 %
Hold time	10 min
Daylight threshold	Disable
Stand-by period	0 s
Stand-by dimming level	10 %

## Specifications

Operating voltage	
Operating current	< 15 mA
Detection area	25 %/50 %/75 %/100 %
Hold time	Remote control: 5 s/30 s/1 min/3 min/5 min/10 min/20 min/30 min Built-in switch: 5 s/1 min/5 min/10 min
Daylight threshold	2 lux (0.2 fc)/10 lux (0.9 fc)/30 lux (2.8 fc)/50 lux (4.7 fc)/80 lux (7.4 fc)/120 lux (11.2 fc)/200 lux (18.6 fc)/250 lux (23.2 fc)/300 lux (27.9 fc)/350 lux (32.5 fc)/400 lux (37.2 fc)/disable
Standby period	0 s/10 s/30 s/1 min/5 min/10 min/30 min/60 min/+ ∞
Standby dimming level	Remote control: 10 %/20 %/30 %/50 % Built-in switch: 0 %/10 %/30 %/50 %
Mounting height	≤ 39.4 ft (12 m)
Detection range	≥ 9 ft (3 m)
Operating frequency	-
Transmitting power	-

## Remote Control for Infrared Motion Sensor

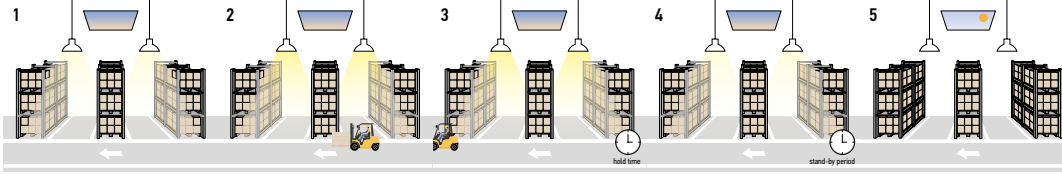
RC



Button	Remarks	Button	Remarks	Button	Remarks
ON/OFF	ON/OFF Turn the sensor ON/OFF.	M H	Mounting height Adjust detection area/sensitivity levels according to real installation situations, higher or lower.	↑	Up The main functional buttons to adjust the factors to desired level. Press + - button to dim light directly in non-detection mode.
Auto	Auto Enter "sensor mode" and perform previous settings.	Send	Send Memorize and send out the previous setting of individual parameters.	↓	Down
Reset	Reset Enter "sensor mode" and perform the default settings.	%	Detection range Also known as "sensitivity", 100 % means the highest sensitivity and longest distance. Use this button and the + - buttons to adjust.	CCT	CCT Selectable Not applicable to this product.
Scenes	Scenes Shows current settings saved in remote.	☀	Daylight sensor The preset lux level at which motion will be detected. Use this button and the + - buttons to adjust.	POWER	Power Adjust brightness in both ON/OFF mode & sensor mode; minimum 10%, max 100%, each time this button is pressed it changes by 5%.
Start	Start Press this to begin scene setup.	⏸	Stand-by dimming After hold time, the light will dim from 100 % to optional standby dimming levels. Use this button and the + - buttons to adjust.	○	Reserved Button Not applicable to this product.
Memory	Memory Saves the scene settings.	⌚	Hold time The period that light will stay illuminated 100 % after no motion is detected. Use this button and the + - buttons to adjust.	☀/☀	Daylight Harvesting Daylight harvesting function enabled or disabled.
Apply	Apply Applies current scene settings to the fixture.	⌚	Stand-by period The period after holdtime, during which the light keeps standby dimming level. Use this button and the + - buttons to adjust.	Test	Test button Press this button to test the sensor; it will temporarily change the hold time to 2s. This setting cannot be saved.

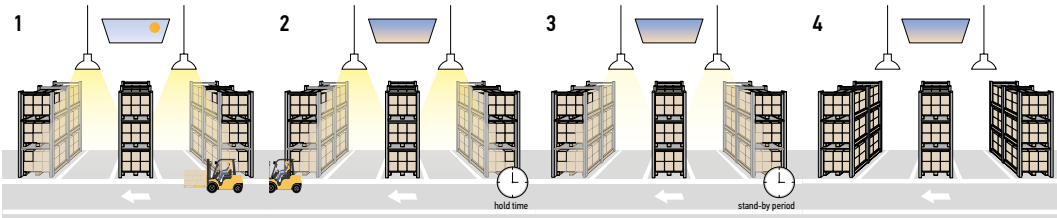
## WITH DUSK/DAWN FUNCTION:

1. With insufficient ambient brightness, sensor turns on light and keeps it at standby dimming level even if there is no motion or presence.
2. When sensor detects motion or presence it will bring the light level up to 100 %.
3. After motion is no longer detected, fixture remains at 100 % for hold time.
4. After pre-set hold time period it will dim to standby dimming level again and always keep it.
5. With sufficient ambient brightness, sensor will turn OFF light automatically.



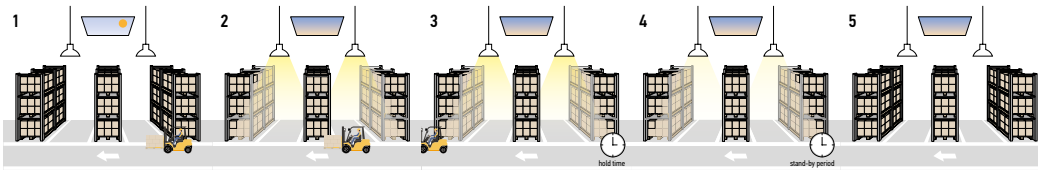
## WITH DAYLIGHT DISABLED:

1. Sensor turns ON light when motion is detected.
2. Light will stay on after detecting motion for the desired hold time.
3. Sensor dims light to standby dimming level after hold time if there is still no motion.
4. Sensor turns OFF light after standby period.



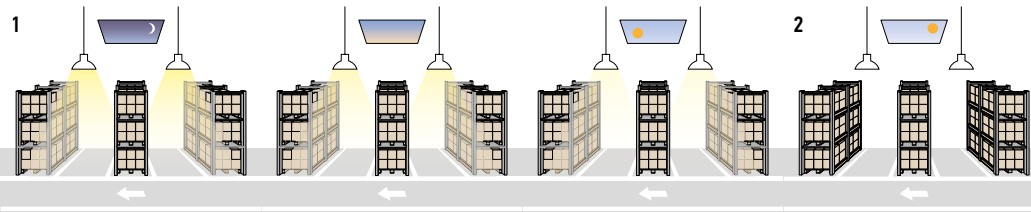
## WITH DAYLIGHT THRESHOLD:

1. With sufficient daylight, the light remains OFF even after motion is detected.
2. With insufficient daylight, the sensor turns light ON when motion is detected.
3. After there's no motion detected, the sensor keeps light ON 100 % for holdtime.
4. After holdtime, sensor dims light to standby dimming level for standby period. If the standby period has been set as Os, sensor turns light OFF automatically after holdtime.
5. The sensor turns OFF light automatically after the standby period when there's no motion detected.



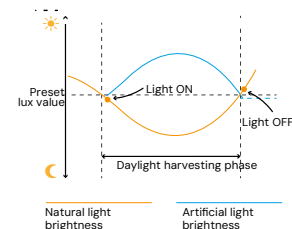
## DAYLIGHT HARVESTING:

1. When ambient brightness is lower than preset lux level, sensor will turn on light automatically and keep dimming according to the change of the ambient brightness. As it gets darker outside the fixtures will brighten, and as it gets brighter outside the fixtures will dim down.
2. When the ambient brightness exceeds the preset lux level, the light will turn OFF.



## DAYLIGHT HARVESTING SETTING:

1. Adjust "daylight" value higher than 50lux.
2. Preset "standby period" OS
3. Press MW/PIR button 3 times until the MW/PIR icons are both blinking on LCD screen, daylight harvesting function enabled. (With BLE version, press DH button, daylight harvesting function enabled).



# COLOR TEMPERATURE GUIDE



**2700K**

**WARM  
WHITE**

friendly  
personal  
intimate

HOMES  
LIBRARIES  
RESTAURANTS



**3000K**

**SOFT WHITE  
GLOW**

soft  
warm  
pleasing

HOMES  
HOTEL ROOMS  
LOBBIES  
RETAIL STORES



**3500K**

**NEUTRAL  
GLOW**

sociable  
inviting  
non-threatening

EXECUTIVE OFFICES  
RECEPTION AREAS  
SUPERMARKETS



**4000K**

**DAYLIGHT  
GLOW**

neat  
clean  
efficient

OFFICES  
CLASSROOMS  
MASS MERCHANDISERS  
SHOWROOMS



**5000K**

**CRYSTAL WHITE  
GLOW**

bright  
cool  
alert

GRAPHICS INDUSTRY  
HOSPITALS  
GALLERIES  
BEAUTY SALONS

