

Project Name: _____ Type: _____ Quantity: _____

INTENDED USE

The 12-Inch Low-Profile High-Efficiency Round LED Canopy Light is a commercial-grade luminaire designed for exceptional performance, energy efficiency, and versatility. Equipped with high-powered LEDs and precision optical control, it features adjustable wattage settings to suit various lighting applications.

Its durable, low-profile design ensures long-lasting reliability and effortless installation. Ideal for commercial spaces, parking garages, and walkways, this LED canopy light provides uniform illumination, enhanced energy savings, and advanced lighting control for optimal functionality.

FEATURES

Construction: Die-cast aluminum with heat dissipating fins with corrosion-resistant powder coating

Mounting: Designed for surface installation with the option to be mounted as a pendant using a conduit

Color Temperature: 40/50K Selectable switch

Finish: White, Black, Dark Bronze

CRI: 70+

Voltage: 120-277VAC

Driver: 0-10V dimming down to 10%

Power Adjustable: 100%, 80%, 60%, 40%

Power Factor: ≥90%

Total Harmonic Distortion: <20%

Operating Temperature: -40°F to 113°F

Life: 50,000 Hours

Weight: 5.73 lbs

Optional Emergency Battery: 5 Watts, 800 lumens, 90min

Listing: UL cUL wet location listed, DLC Premium

Warranty: 5 years carefree for parts & components (Labor not included)



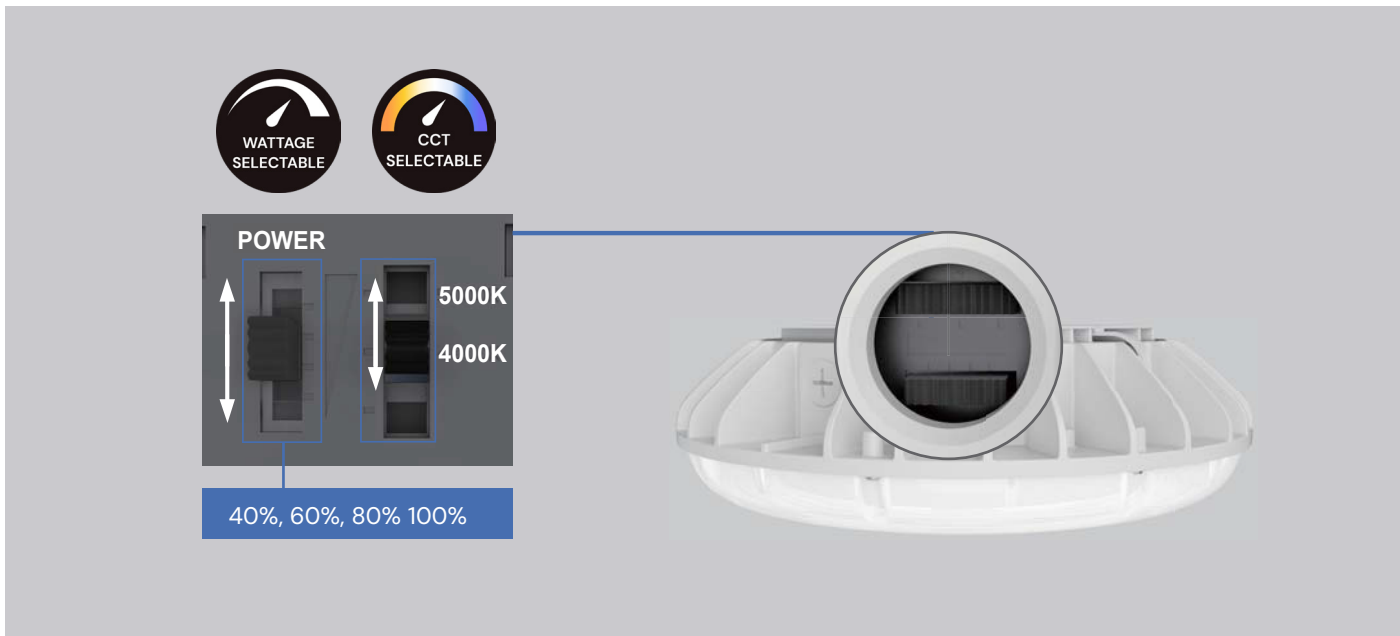
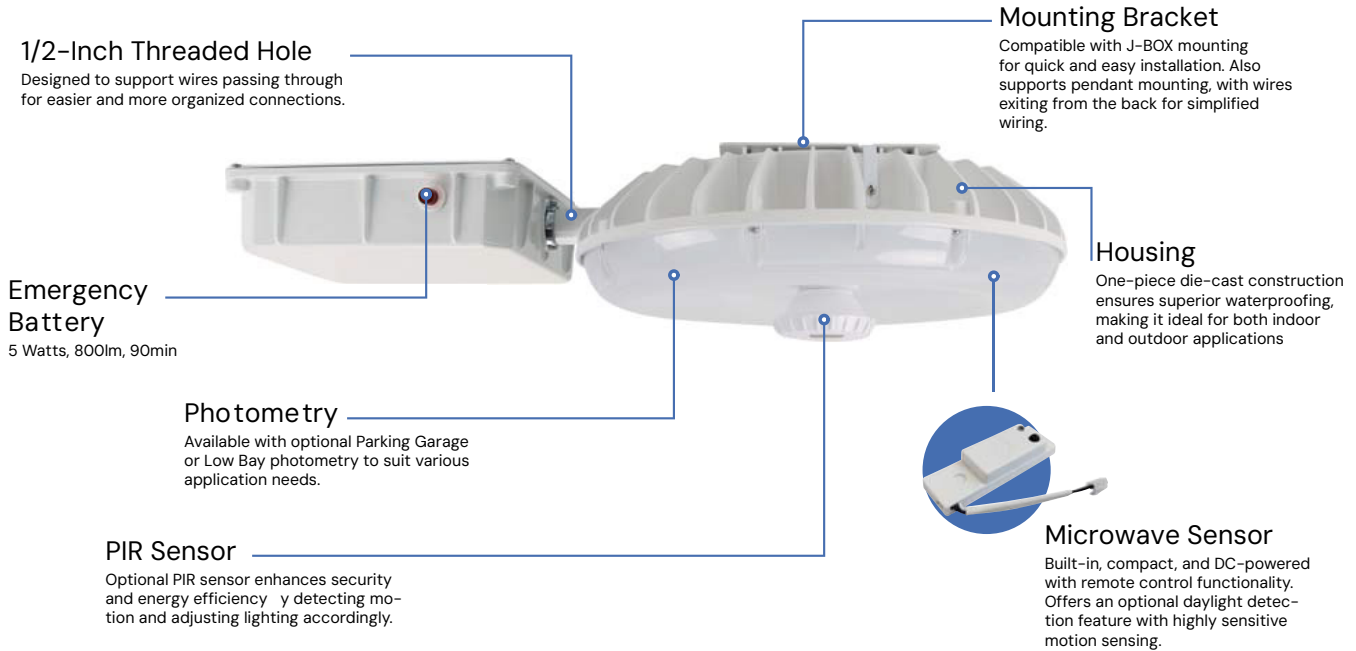
ORDERING INFORMATION Example:

Model	Finish	Options
16002	WH White BK Black BZ Dark Bronze	PI ¹ PIR Sensor MW ² Microwave Sensor XEM5 5 Watt Emergency Battery (External) PG Parking Garage Photometry

¹ The PIR external sensor can be factory pre-installed or easily installed in the field or added flexibility.

² The Microwave Sensor can be seamlessly integrated into the fixture for enhanced functionality. It features an optional daylight function with high sensitivity to detect motion effectively.

STRUCTURAL DESIGN



OPTIONS



EM5

5 Watt Emergency Battery
90 minutes producing 800 lumens



PI

PIR Sensor
120-277V



MW

Microwave Sensor
Built-in, 12V

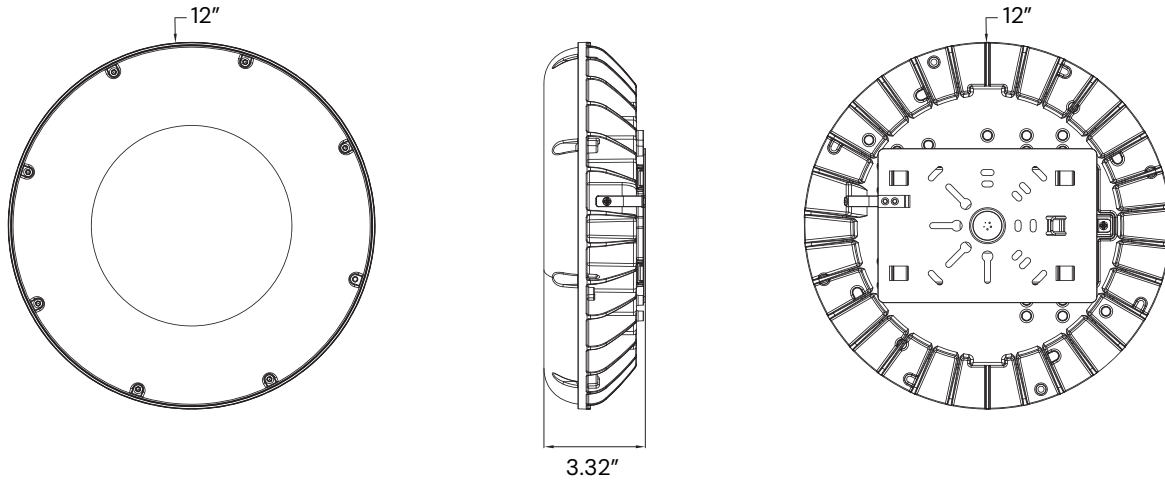
PERFORMANCE DATA

SETTING	SETTING WATTS	LUMENS		LPW	
		4000K (70CRI)	4000K (70CRI)	5000K (70CRI)	5000K (70CRI)
100%	60W	7700lm	128lm/W	7500lm	125lm/W
80%	46W	6500lm	141lm/W	6300lm	137lm/W
60%	34W	5000lm	147lm/W	4900lm	134lm/W
40%	22W	3600lm	164lm/W	3500lm	159lm/W

ELECTRICAL DATA

Number Of Drivers	Driver Current (mA)	Nominal Power (W)	INPUT VOLTAGE (V)	CURRENT (Amps)
1	1050	60	120	0.50
		60	208	0.29
		60	240	0.25
		60	277	0.22

LINE DRAWINGS



MOUNTING

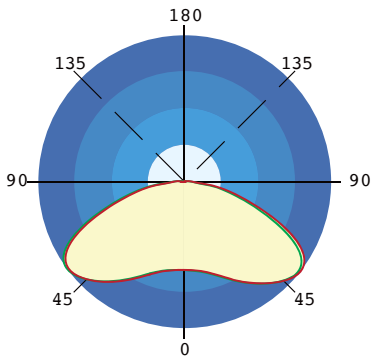


Surface
Mounted With J-Box



Pendant
Conduit not included

PARKING GARAGE PHOTOMETRY



COLOR TEMPERATURE GUIDE

2700K	3000K	3500K	4000K	5000K
WARM WHITE	SOFT WHITE GLOW	NEUTRAL GLOW	COOL WHITE GLOW	DAYLIGHT GLOW
friendly personal intimate	soft warm pleasing	sociable inviting non-threatening	neat clean efficient	bright cool alert
HOMES LIBRARIES RESTAURANTS	HOMES HOTEL ROOMS LOBBIES RETAIL STORES	EXECUTIVE OFFICES RECEPTION AREAS SUPERMARKETS	OFFICES CLASSROOMS MASS MERCHANTISERS SHOWROOMS	GRAPHICS INDUSTRY HOSPITALS GALLERIES BEAUTY SALONS
X	X	X	✓	✓