

Project Name: \_\_\_\_\_ Type: \_\_\_\_\_ Quantity: \_\_\_\_\_

### INTENDED USE

Our LED Compact Dual Head Emergency Light is designed with two fully adjustable heads, offering reliable emergency illumination in a lightweight, flame-retardant housing. The 16110 model is perfect for spaces requiring dependable emergency lighting solutions.

### FEATURES

**Construction:** Injection-molded thermoplastic ABS housing. Plastic enclosure with 5VA flame retardant.

**Mounting:** Suitable for Wall or Ceiling  
Top and Side Knockout for Conduit Application

**Operation:** Minimum of 90 Minutes During Loss of Power with 24 Hour Maximum Recharge Time

**Battery:** 3.6V maintenance-free, rechargeable NiMH battery.

**Additional Battery:** Luminaire is capable of including an additional 3.6V / 4W battery. Additional battery is used to power an additional remote emergency light. Upon power failure, each additional battery requires an additional 24 hours to recharge.

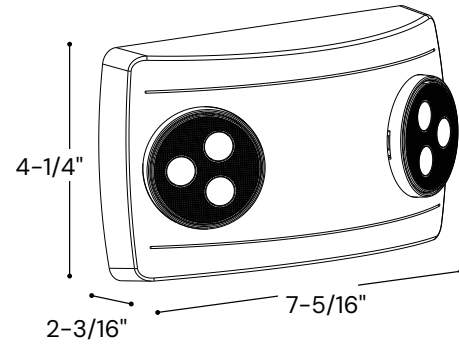
**Voltage:** 120-277 VAC 60 Hz

**Color Temperature:** 5700K

**Operating Temperature:** 10°C to 40°C ambient temperature (-25°C to 50°C when used with vandal resistant housing)

**Warranty:** 3 Years carefree for parts & components (Labor not included)

**Listings:** cULus Listed for Damp Locations, Meets or exceeds all requirements in NFPA 70, NFPA 101 life safety code, Wet Location listed when used with optional vandal resistant wet location housing



#### NFPA 101 Requirements

NFPA 101 requires 1.0 foot-candle average and 0.1 foot-candle minimum with a 40:1 maximum/minimum ratio. Below is a recommended mounting height and spacing on surface with reflectance at 80% ceiling, 50% walls, and 20% floor.

SKU	Mounting Height	Center to Center Spacing	Path of Egress
16110-09	7.5'	27'	6'
	10'	24'	
16110-09-EM	7.5'	24'	6'
	10'	20'	
16110-1-EM	7.5'	37'	6'
	10'	34'	



### ORDERING INFORMATION Example:

Model	Wattage   Lumen   Additional Battery	Finish	Options
16110	09 0.9 watts   110 lms   No Additional Battery	B Black	VR Vandal Resistant Wet Location Housing
	09-EM 0.9 watts   90 lms   Includes Additional Battery	W White	
	1-EM 1 watts   150 lms   Includes Additional Battery		