

Project Name:

Type:

Quantity:

FIXTURE SPECIFICATIONS

INTENDED USE

The Alcon Lighting 16125 Chicago Approved Edgelit Aluminum LED Exit Sign utilizes ultra-bright white LEDs for improved visibility. This product is compact and energy efficient. Mounting hardware provided. UL listed for damp locations.

FEATURES

Construction: Premium-grade, extruded aluminum housing.

Mounting: Die-cast aluminum mounting canopy provided for universal top, end or back mount.

Voltage: 120/277 voltage

Optional Self- Diagnostics: Self-diagnostic feature performs monthly, biannual, and annual tests to ensure reliable operation and meets electrical and life safety codes.

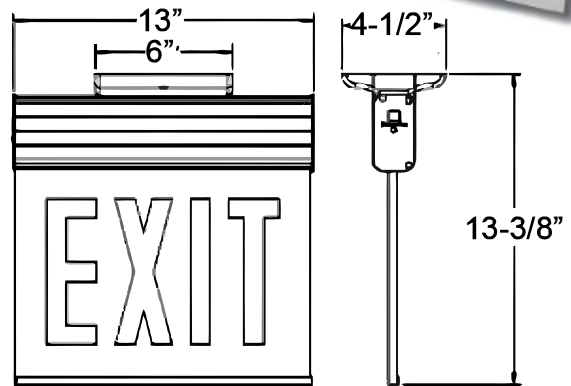
Optional Emergency Backup: 4.8V long life, maintenance-free, rechargeable NiCd back up battery.

Warranty: 5 Years Carefree for Parts & Components (Labor Not Included)

Listing: Meets city of Chicago requirements. Meets UL924, NFPA101 Life Safety Code, NEC, OSHA, Local and State Codes.

UL listed for damp locations (0° – 50°C).

Certified to CEC under Title 20 Regulations.



Directional Arrows Single Face Options

(Blank) No Arrow	
R Right	
L Left	
D Double Arrow	

Directional Arrows Double Face Options

(Blank) No Arrow		
LR Left/Right Arrow		
D Double Arrow		

ORDERING INFORMATION Example: (16125-1-AL-E)

Model	# of Faces	Housing Finish	Wording	Directional Arrows	Options
16125	1 Single	AL Aluminum	E EXIT	(Blank) No Arrow	EM Battery Backup
	2 Double	WH White	S STAIR	R ¹ Right L ¹ Left LR ² Left / Right Arrow D Double Arrow	

¹ Single Face Only
² Double Face Only. Arrow is mirrored on each side.