

Project Name: _____ Type: _____ Quantity: _____

INTENDED USE

This specification-grade, submersible LED light is designed for marine, pond, and fountain applications. Crafted from corrosion-resistant cast brass or stainless steel, it provides durable, high-quality illumination. Adjustable for precise lighting control, it includes a standard 30-foot water-resistant cord for reliable underwater performance.

FEATURES

Construction: Cast brass or Stainless Steel with 316 Marine Grade screws

Lens: Clear, tempered, heat-resistant glass

Socket: High-quality fixed ceramic bi-pin socket

Gasket: Silicone "O" ring for a watertight seal between faceplate and housing

Mounting: Adjustable arms with thumb screws, secured with a heavy-duty brass bracket for stable underwater placement

Wattage: 5W

Lumens: 500 lm

Color Temperature: 27/30/40/50K

Dimming Driver: Down to 10%

Beam Spread: 38°

Voltage: 12V

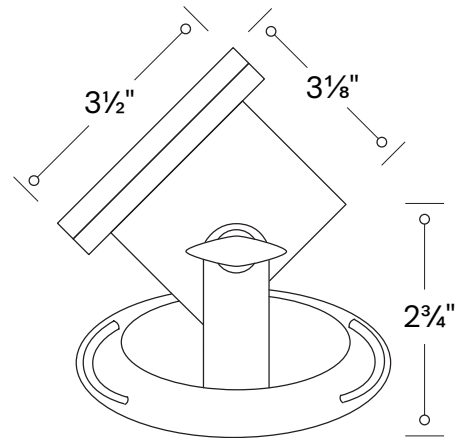
CRI: 80+

Life: 15,500 Hours

Warranty: 5 Years carefree for parts & components (Labor not included)

Listings: CETL/ETL certificate, IP68 suitable for fountains, ponds, and waterfalls.

Do not use in swimming pools, lakes or spas



ORDERING INFORMATION Example:

Model	Color Temp		Finish	
17006	27	2700K	AB	Antique Bronze
	30	3000K	SS	Stainless Steel
	40	4000K	NB	Natural Brass
	50	5000K		

Alcon Lighting 17006 Submersible Pond and Fountain Underwater LED Light

COLOR TEMPERATURE GUIDE

<p>2700K</p> <p>WARM WHITE</p> <p>friendly personal intimate</p> <p>HOMES LIBRARIES RESTAURANTS</p> <p>✓</p>	<p>3000K</p> <p>SOFT WHITE GLOW</p> <p>soft warm pleasing</p> <p>HOMES HOTEL ROOMS LOBBIES RETAIL STORES</p> <p>✓</p>	<p>3500K</p> <p>NEUTRAL GLOW</p> <p>sociable inviting non-threatening</p> <p>EXECUTIVE OFFICES RECEPTION AREAS SUPERMARKETS</p> <p>✗</p>	<p>4000K</p> <p>COOL WHITE GLOW</p> <p>neat clean efficient</p> <p>OFFICES CLASSROOMS MASS MERCHANDISERS SHOWROOMS</p> <p>✓</p>	<p>5000K</p> <p>DAYLIGHT GLOW</p> <p>bright cool alert</p> <p>GRAPHICS INDUSTRY HOSPITALS GALLERIES BEAUTY SALONS</p> <p>✓</p>
---	--	---	--	---