

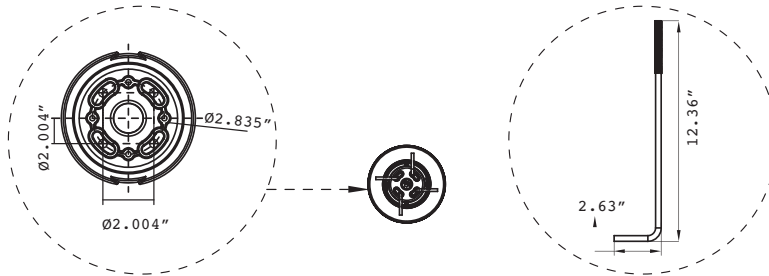
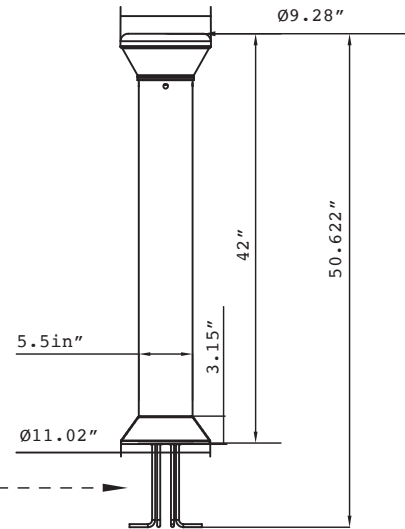
Project Name: \_\_\_\_\_ Type: \_\_\_\_\_ Quantity: \_\_\_\_\_

### INTENDED USE

The 42-Inch Architectural LED Bollard Pathway Light combines style, energy efficiency, and durability to deliver high-performance illumination with minimal glare. Engineered for longevity, this full cut-off luminaire meets stringent lighting codes while ensuring years of maintenance-free operation. Its rugged construction and durable Dark Bronze finish enhance reliability in outdoor environments. Ideal for building entryways, walking paths, and pedestrian plazas, this bollard light provides a sleek, low-mounting-height solution for a variety of outdoor applications.

### FEATURES

- Construction:** Die-cast aluminum with a robust ground cage pre-buried installation.
- Lens:** Optical grade polymer optic 360° illumination
- Finish:** Dark Bronze
- Color Temperature:** 30/40/50K Selectable switch
- CRI:** 70+
- Voltage:** Universal 120-277 VAC
- Driver:** 0-10V dimming down to 10%
- Power Adjustable:** 100%, 80%, 60%, 40%.
- Power Factor:** ≥90%
- Total Harmonic Distortion:** <20%
- Operating Temperature:** -40°F to 113°F
- Life:** 50,000 Hours
- Weight:** 12.136 lbs
- Listing:** UL cUL wet location listed, DLC
- Warranty:** 5 years carefree for parts & components (Labor not included).

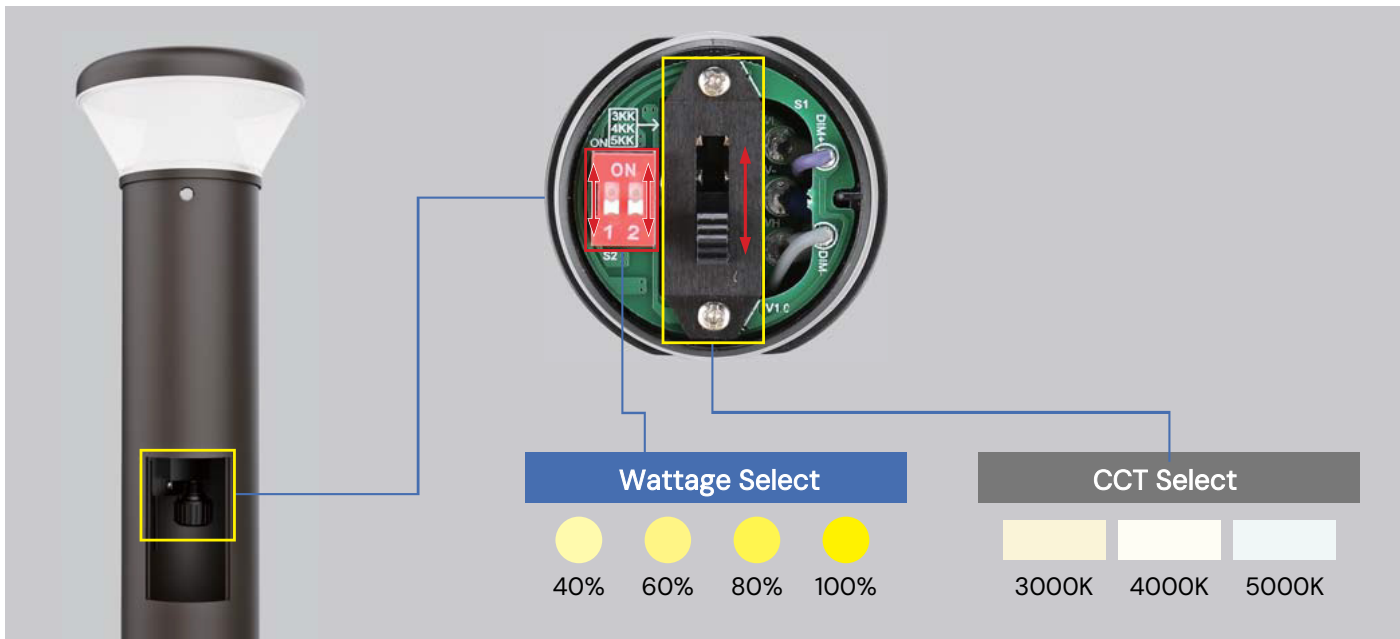


### ORDERING INFORMATION Example:

Model	Options
9002	BB Bollard Base kit EM8 8 Watt Emergency Battery

Alcon Lighting 9002 42-Inch Architectural LED Bollard Pathway Light

## STRUCTURAL DESIGN



## OPTIONS



EM8

**8 Watt Emergency Battery**  
90 minutes producing 900 lumens



BB

**Bollard Base kit**

## PERFORMANCE DATA

SYSTEM WATTS	VOLTAGE	LUMENS 3000K	LPW 3000K	LUMENS 4000K	LPW 4000K	LUMENS 5000K	LPW 5000K
26W	120-277V	3000 lm	115 lm/W	3200 lm	123 lm/W	3050 lm	117 lm/W

## ADJUSTABLE LUMEN OUTPUT TABLE

SWITCH SETTING	SETTING WATTS	CRI	LUMENS 3000K	LPW 3000K	LUMENS 4000K	LPW 4000K	LUMENS 5000K	LPW 5000K
100%	26W	70	3000lm	115 lm/W	3200lm	123 lm/W	3050lm	117 lm/W
80%	21W	70	2500lm	119 lm/W	2700lm	129 lm/W	2500lm	119 lm/W
60%	16W	70	1950lm	122 lm/W	2100lm	131 lm/W	2000lm	125 lm/W
40%	10W	70	1300lm	130 lm/W	1400lm	140 lm/W	1350lm	135 lm/W

## ELECTRICAL DATA

NUMBER OF DRIVERS	DRIVER CURRENT (mA)	NOMINAL POWER (W)	INPUT VOLTAGE (V)	CURRENT (Amps)
1	670	26	120	0.22
		26	208	0.13
		26	240	0.11
		26	277	0.09

## COLOR TEMPERATURE GUIDE

<b>2700K</b>	<b>3000K</b>	<b>3500K</b>	<b>4000K</b>	<b>5000K</b>
<b>WARM WHITE</b>	<b>SOFT WHITE GLOW</b>	<b>NEUTRAL GLOW</b>	<b>COOL WHITE GLOW</b>	<b>DAYLIGHT GLOW</b>
friendly personal intimate	soft warm pleasing	sociable inviting non-threatening	neat clean efficient	bright cool alert
HOMES LIBRARIES RESTAURANTS	HOMES HOTEL ROOMS LOBBIES RETAIL STORES	EXECUTIVE OFFICES RECEPTION AREAS SUPERMARKETS	OFFICES CLASSROOMS MASS MERCHANTISERS SHOWROOMS	GRAPHICS INDUSTRY HOSPITALS GALLERIES BEAUTY SALONS
X	✓	✓	✓	X