

Project Name: _____ Type: _____ Quantity: _____

Alcon Lighting 9003 42-Inch Architectural Outdoor Bollard LED Pathway Light

INTENDED USE

This Architectural Outdoor LED Bollard Pathway Light offers a perfect blend of durability, efficiency, and contemporary design, making it ideal for building entrances, pathways, pedestrian areas, and sidewalks. Its rugged die-cast housing ensures long-lasting performance, while the polycarbonate lens provides 360° uniform illumination for enhanced visibility and safety. Featuring an optional emergency battery backup for added reliability, this energy-efficient bollard delivers exceptional versatility and scalability, making it a smart choice for various outdoor lighting applications.

FEATURES

- Construction:** Die-cast aluminum with a robust ground cage pre-buried installation
- Lens:** Polycarbonate enclosure optic 360° illumination
- Color Temperature:** 30/40/50K Selectable switch
- CRI:** 80+
- Voltage:** Universal 120-277 VAC
- Driver:** 0-10V dimming driver down to 10%
- Wattage Adjustable:** 24W, 19W, 14W, 10W
- Power Factor:** ≥90%
- Total Harmonic Distortion:** <20%
- Operating Temperature:** -40°F to 113°F
- Life:** 50,000 Hours
- Optional Emergency Battery:** 8 Watts, 900 lumens, 90min
- Listing:** UL cUL wet location listed
- Warranty:** 5 years carefree for parts & components (Labor not included).

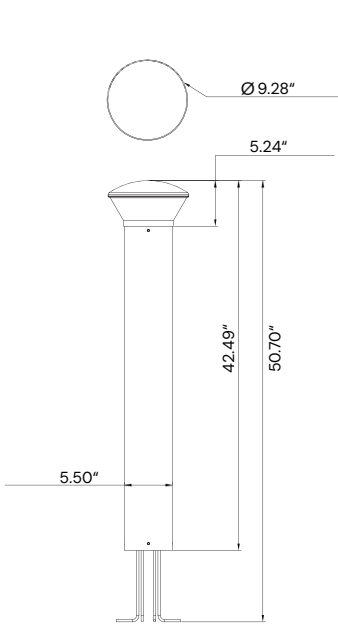


ORDERING INFORMATION Example:

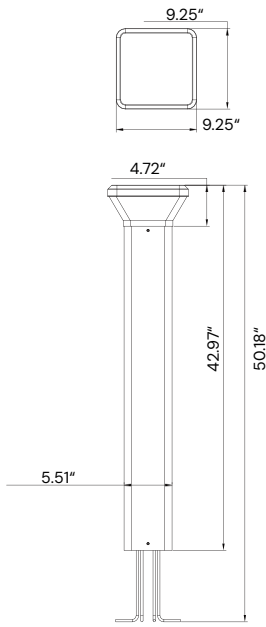
Model	Bollard Head	Light Distribution	Lens	Finish	Options
9003	R Round S Square D Dome	Blank Round ^{Standard} G Grille	F Frosted ^{Standard} C Clear	BZ Dark Bronze BK Black WH White	BB ¹ Bollard Base kit EM8 8 Watt Emergency Battery

¹ Compatible with Round or Dome Bollard Head.

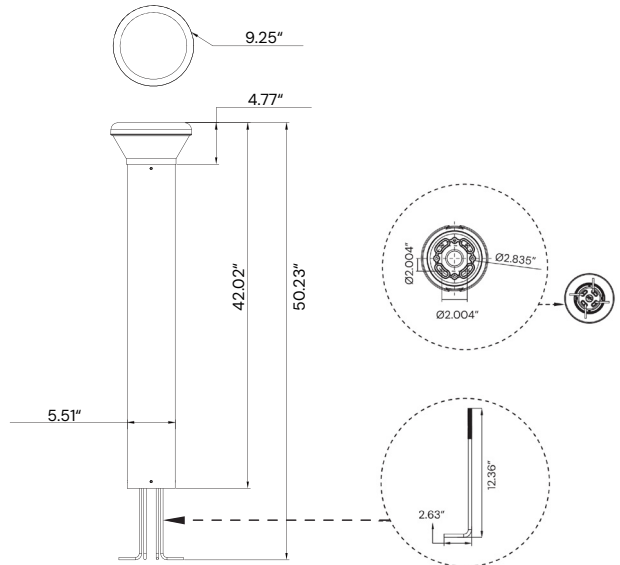
LINE DRAWINGS



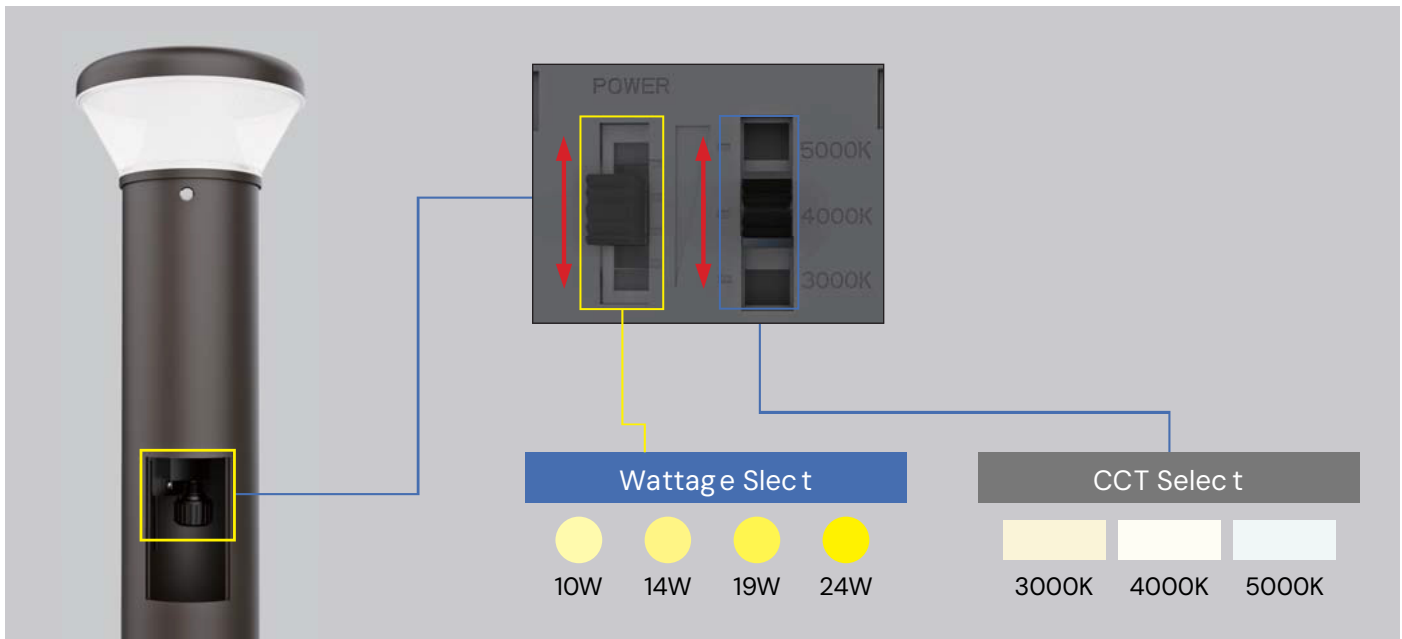
Dome
9003-D



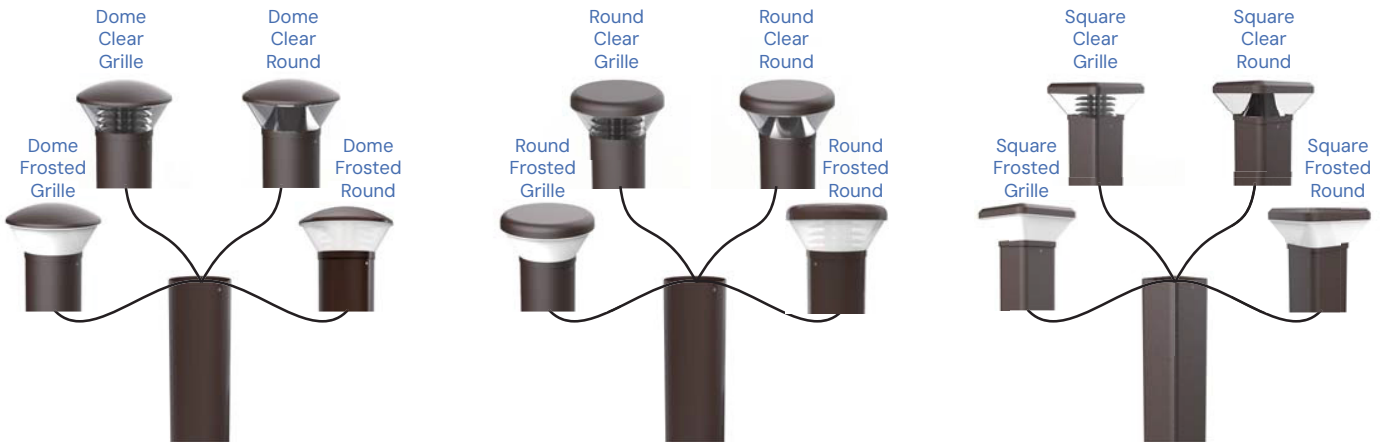
Square
9003-S



Round
9003-R



CONFIGURATIONS



Styling configuration starts with 12 different combinations of the top cap and optic. The round exterior with eight light engine systems and the square exterior with four light engine systems support quick replacement depending on site.

OPTIONS



EM8

8 Watt Emergency Battery
90 minutes producing 900 lumens



BB

Bollard Base kit

PERFORMANCE DATA

SWITCH SETTING	SETTING WATTS	CRI	3000K		4000K		5000K	
			LUMENS	LPW	LUMENS	LPW	LUMENS	LPW
100%	24W	80	3000lm	125 lm/W	3200lm	133 lm/W	3100lm	129 lm/W
80%	19W	80	2500lm	132 lm/W	2600lm	137 lm/W	2550lm	134 lm/W
60%	14W	80	1900lm	136 lm/W	2000lm	143 lm/W	1950lm	139 lm/W
40%	10W	80	1400lm	140 lm/W	1500lm	150 lm/W	1450lm	145 lm/W

ELECTRICAL DATA

NUMBER OF DRIVERS	DRIVER CURRENT (mA)	NOMINAL POWER (W)	INPUT VOLTAGE (V)	CURRENT (Amps)
1	440	24	120	0.20
		24	208	0.12
		24	240	0.10
		24	277	0.09

COLOR TEMPERATURE GUIDE

2700K	3000K	3500K	4000K	5000K
WARM WHITE	SOFT WHITE GLOW	NEUTRAL GLOW	COOL WHITE GLOW	DAYLIGHT GLOW
friendly personal intimate	soft warm pleasing	sociable inviting non-threatening	neat clean efficient	bright cool alert
HOMES LIBRARIES RESTAURANTS	HOMES HOTEL ROOMS LOBBIES RETAIL STORES	EXECUTIVE OFFICES RECEPTION AREAS SUPERMARKETS	OFFICES CLASSROOMS MASS MERCHANTISERS SHOWROOMS	GRAPHICS INDUSTRY HOSPITALS GALLERIES BEAUTY SALONS
X	✓	X	✓	✓