

FIXTURE SPECIFICATIONS

INTENDED USE

Get marine-grade, fiberglass LED well lighting with maximized light output including a lens made of tempered glass to guard against natural including water-based damage. Our 12-inch light installs in most locations, soil and concrete.

FEATURES

Dia 12.19" x **W** 12.19" x **H** 14"

Construction: Corrosion Resistant Fiberglass

Installation: Rated for In-Ground Soil and Concrete Applications

Lens: Clear, Heat Resistant, Tempered Glass

Finish: Bronze

RGBW Controller: Bluetooth via Smart Life - Smart Living mobile app

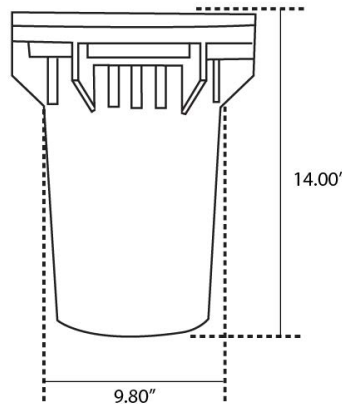
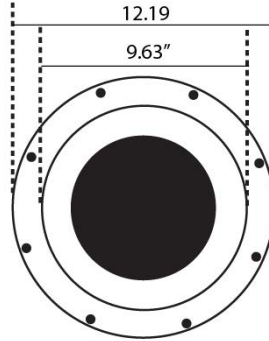
(available for iOS and Android devices)

CRI: 80+

Life: 35,000 Hours

Listing: ETL Approved for Wet Location

Lamp Type: LED bulb Included



ORDERING INFORMATION Example: (9102-RGBW)

Model	Lamp Type	Color Temp
9102	RGBW RGBW 15W 1300 lms 120° Beam Spread 120V	(Blank) RGB + W (27-64K)
	W-25 White 12.5W 1200 lms 25° Beam Spread 120-277V	27K 2700K
	W-40 White 12.5W 1200 lms 40° Beam Spread 120-277V	30K 3000K
		40K 4000K
		50K 5000K