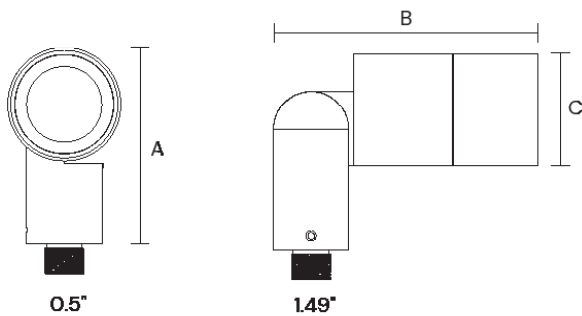




READ ALL INSTRUCTIONS BEFORE INSTALLATION. IMPROPER INSTALLATION MAY RESULT IN ELECTRIC SHOCK, SERIOUS INJURY, OR DEATH. DO NOT COVER THE FIXTURE WITH HEAT INSULATION GASKET OR SIMILAR MATERIALS.

PRE-INSTALLATION

1. Disconnect the power at the circuit breaker before beginning installation.
2. Ensure the product is installed by a qualified electrician.
3. Follow these instructions and all applicable electrical codes.
4. To reduce the risk of fire or overheating, make sure all connections are tight and secure.



MODEL	A	B	C
9165-SM	3.90"	5.23"	2.24"
9165-MD	4.96"	7.20"	3.30"
9165-LG	6.30"	8.58"	4.72"

INSTALLATION STEPS

Step 1: Preparing the Junction Box

Feed the fixture's main power cord through the top hole of the junction box cap and secure it in place using a screw nut (Figure 1).

Step 2: Assembling the Junction Box

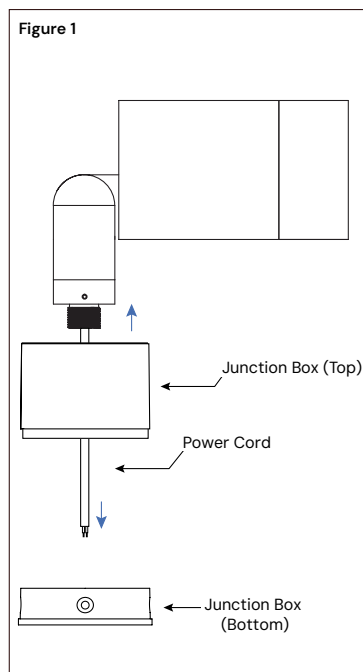
Pass the power cord through the hole at the bottom of the junction box.

Carefully press the top and bottom of the junction box together, ensuring that cables are not pinched during assembly (Figure 2).

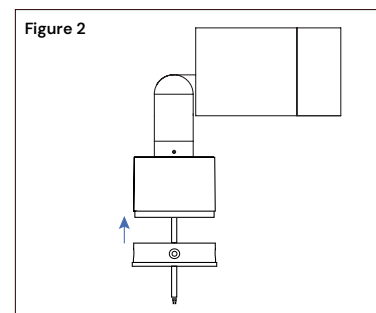
Step 3: Securing the Junction Box

Use the provided screws to securely fasten the junction box (Figure 3).

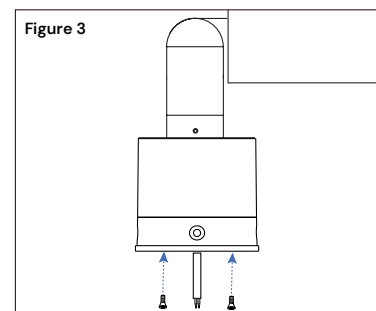
Feeding the power cord through the top hole of the Junction Box cap



Assembling the Junction Box



Securing the Junction Box





READ ALL INSTRUCTIONS BEFORE INSTALLATION. IMPROPER INSTALLATION MAY RESULT IN ELECTRIC SHOCK, SERIOUS INJURY, OR DEATH. DO NOT COVER THE FIXTURE WITH HEAT INSULATION GASKET OR SIMILAR MATERIALS.

INSTALLATION STEPS

Step 4: Mounting Plate Installation

Feed the main power cord through the junction box mounting plate.

Fit the mounting plate into the bottom of the junction box.

Using a hex key and screws, fasten the mounting plate securely to the side of the junction box (Figure 4).

Step 5: Mounting the Fixture

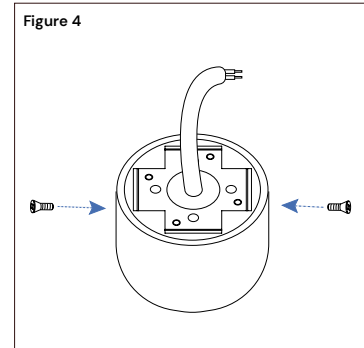
Align the mounting screw holes of the junction box mounting plate with the chosen mounting option.

Refer to the product spec sheet for available mounting options.

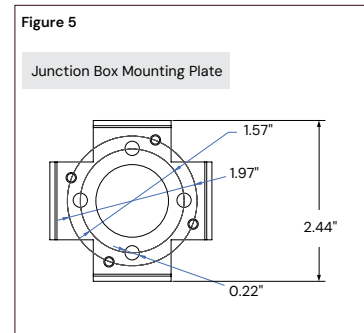
Secure the mounting plate using appropriate screws (Figure 5).

Step 6: Electrical Connection

Connect the main power cord to the source voltage line according to standard wiring practices.



Mounting Plate installation



Aligning and securing the Mounting Plate