

## FIXTURE SPECIFICATIONS

### INTENDED USE

The Architectural Grade surface or suspended mount Cube Light Fixture is ideal for medium to high ceilings and offers multiple mounting options. It is the ideal solution for distinctive architectural lighting plans bringing clean lines and clear light to commercial LED or residential lighting interiors.

### DETAILS

**Dimensions:** L 5-7/8" x W 5-7/8" x H 6 1/4"

**Mounting:** Flat and slope ceiling pendant adapters available. Mounts to standard 4" octagonal electrical box; Universal mounting hardware allows mounting to all standard electrical junction boxes

**Life:** L70 life of 50,000 hours

**Type:** Suspended, Pendant

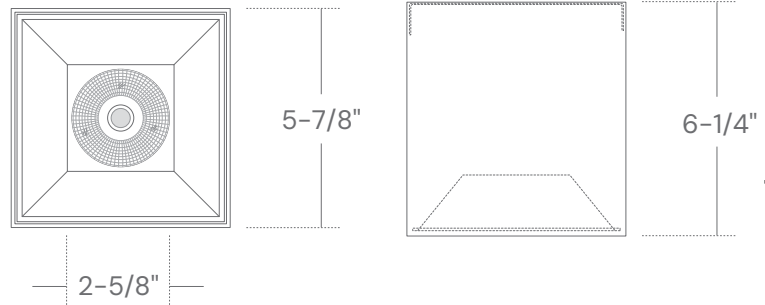
**Voltage:** 120V/277V

**CRI:** Standard, 90 CRI available

**Dimming:** Universal Dimming option works with 0-10V, ELV and Incandescent Control Systems

**Warranty:** 5 years carefree for parts & components (labor not included)

**Listings:** cETLus, cULus listed to L1598 and UL8750, Suitable for dry and damp locations. NYC approved: Calendar #41937.



Alcon Lighting 11212 LED Surface or Suspended Mount Cube Light Fixture – Downlight

## ORDERING INFORMATION Example: (1181-25-D30-MCT-43-B)

Model	Wattage / Lumens	Beam Spread	Dimming	Color Temp
11212	18L 30 Watts / 1800 lms	Blank 45° Flood	Blank Non-Dimming	27 2700K
	30L 30 Watts / 3000 lms	WF 70° Wide Flood	DIM Universal Dimming	30 3000K
				35 3500K
				40 4000K
				27C90 2700K, 90+ CRI

### Mounting Options

SM	Surface Mount	S12	12" Sloped Ceiling Pendant
F12	12" Flat Ceiling Pendant	S18	18" Sloped Ceiling Pendant
F18	18" Flat Ceiling Pendant	S24	24" Sloped Ceiling Pendant
F24	24" Flat Ceiling Pendant	S36	36" Sloped Ceiling Pendant
F36	36" Flat Ceiling Pendant	S48	48" Sloped Ceiling Pendant
F48	48" Flat Ceiling Pendant		