

Project Name: _____

Type: _____ Quantity: _____

[Shop Now](#)

FIXTURE SPECIFICATIONS

INTENDED USE

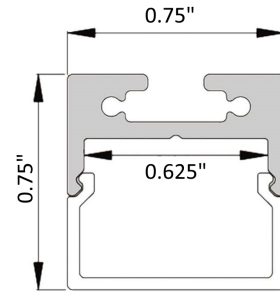
This specification-grade slim LED linear pendant delivers continuous clean High-CRI light and modern lines to commercial, hospitality and residential interior lighting projects. Our modern, slim profiles and stylish low-voltage linear suspension lights offer direct lighting for a variety of applications including; offices, classrooms, conference rooms, museums, retail outlets, hotels, restaurants and more. The Continuum integrated LED linear lighting is available in standard lengths of 2 ft., 3 ft., 4 ft., 6 ft., 8 ft

PRODUCT FAMILY

- 12100-10-S | Surface
- 12100-10-LR | Low-Profile Recessed
- 12100-10-R | Recessed
- 12100-10-R-PR | Recessed Perimeter
- 12100-10-R-RGBW | Recessed RGBW
- 12100-10-PR-RGBW | Perimeter Recessed RGBW

FEATURES

- Construction:** Die-Formed and Welded 22-Gauge Cold Rolled Steel
- Lens:** Glare Free Snap In Frosted Acrylic for Even Distribution
- Voltage:** 24V LED Fixture, 100-277V LED Driver
- Remote Driver:** Dimmable 4-in-1 Triac, ELV, MLV & 0-10V, MLV and 0-10V Driver
- Wattage:** 7 Watts/Foot (Wet Location: 3 Watts/Foot)
- Lumens:** 784 Lumens/Foot (Wet Location: 250 Lumens/Foot)
- Beam Angle:** 120°
- CRI:** 95+
- Life:** 50,000 Hours L70
- Warranty:** 5 Years Carefree for Parts & Components (Labor Not Included)
- Listings:** Title 24 JA8, cUL Listed (LED and Driver Components Only)
Housing is NOT cUL Listed.



Alcon 12100-10 Slim Continuum Series Architectural 24V LED Linear Pendant Light

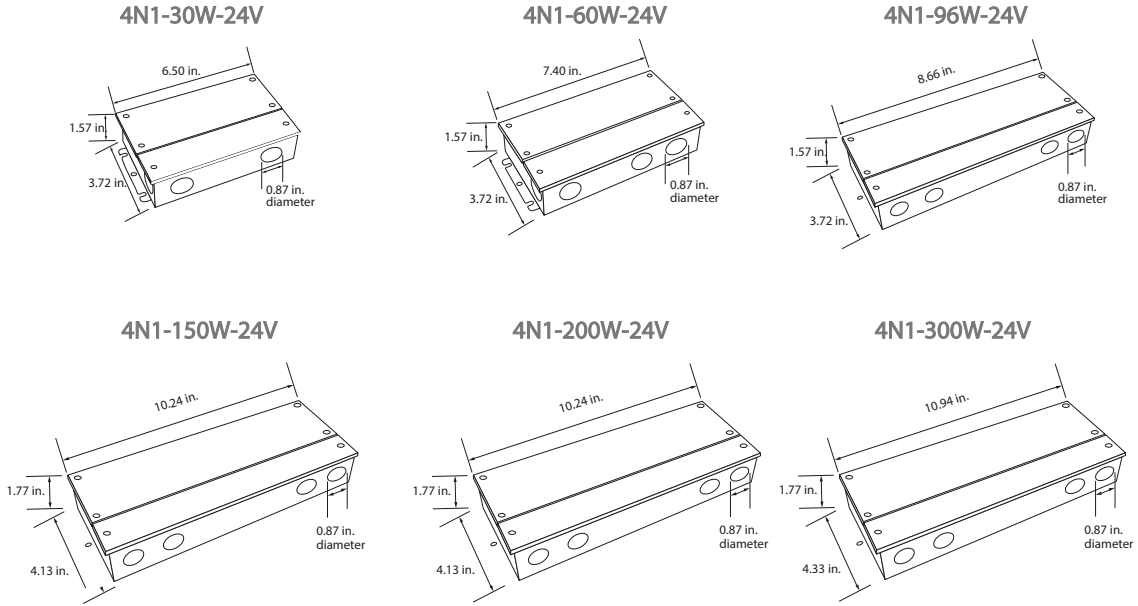


ORDERING INFORMATION Example: (12100-10-P-2-SL-27K)

Model	Length	Finish	Color Temp	Options
12100-10-P Pendant	2 2 Foot	SL Silver	27K 2700K	WL Wet Location IP65
	3 3 Foot	WH White	30K 3000K	
	4 4 Foot	BK Black	35K 3500K	
	6 6 Foot	XXXX Custom	40K 4000K	
	8 8 Foot	Finish	50K 5000K	
	XX ¹ Custom Length	Specify Length in Feet	Replace XXXX with RAL#	

¹ Continuous runs over 8' ship as components for field assembly

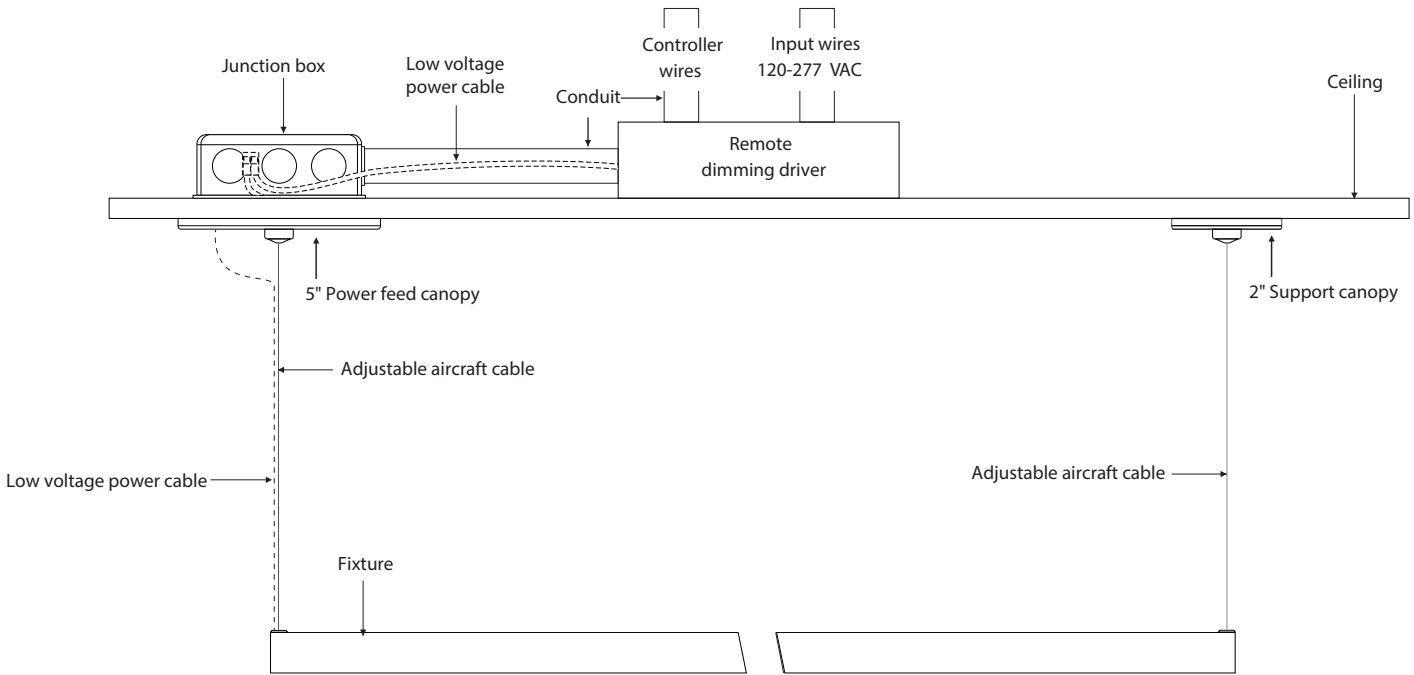
REMOTE DIMMING DRIVER SPECIFICATIONS



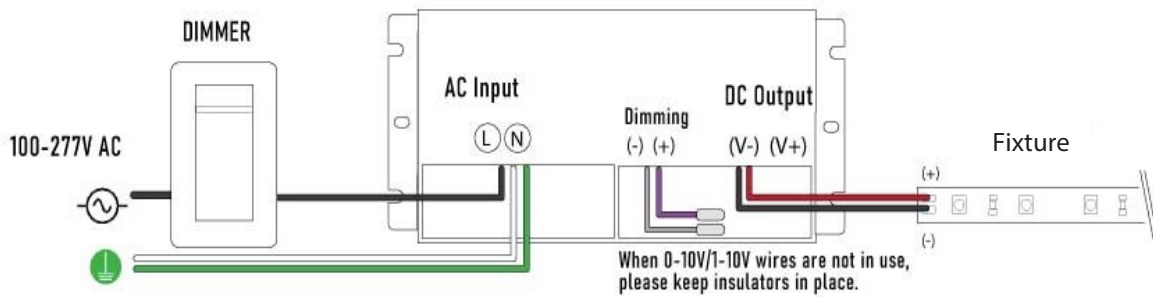
COLOR TEMPERATURE GUIDE



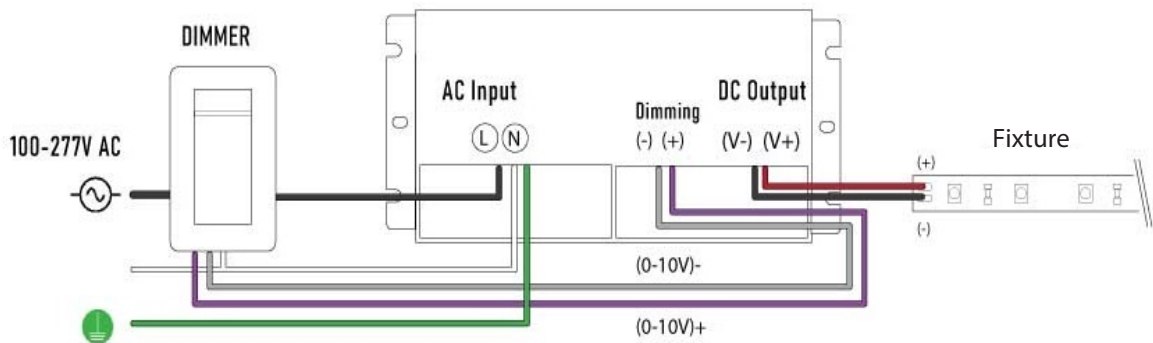
WIRING DIAGRAM



TRIAC dimming



0-10V/1-10V dimming



COMPATIBLE DIMMERS

BRAND	MODEL	INPUT	RANGE	MODEL	INPUT	RANGE
LUTRON®	153PR-WH	100-130V	0-100%	DZ6HD	100-130V	22-100%
	DVCL-153PR-WH	100-130V	0-100%	DV-600PR-BL	100-130V	0-100%
	DVWCL-153PH-LA	100-130V	0-100%	DV-600PR-WH	100-130V	0-100%
	CTCL-153PDH-LA	100-130V	0-100%	PD-6WCL	100-130V	20-100%
	TGCL-153PR-WH	100-130V	0-100%	PD-5NE-WH	100-130V	18-100%
	TGCL-153PH-WH	100-130V	0-100%	NTLV-600-277-WH	100-130V	1-100%
	MACL-153MH-LA	100-130V	20-100%	ST-12P-277	100-130V	12-100%
	CT-600PR-IV	100-130V	0-100%	NTF-10-277	100-130V	1-100%
	CT-600PR-WH	100-130V	0-100%	SELV-300P	100-130V	15-100%
	CT-103PR-WH	100-130V	2-100%	MSCELV-600M	100-130V	0-100%
	MIR-600M	100-130V	2-100%	MEF2-6ELV-120	100-130V	0-100%
	TG-600PR-LA	100-130V	4-100%	DVELV-300P	100-130V	15-100%
	TG-600PR-IV	100-130V	0-100%	S-600PR-WH	100-130V	0-100%
	TG-600PR-WH	100-130V	0-100%	MRF2-6ND-120-AL	100-130V	0-100%
	TG-10PR-WH	100-130V	0-100%	MRF2-6CL-GR	100-130V	15-100%

LEVITON	VPI06-1LZ	100-130V	15-100%	6672	100-130V	20-100%
	TTI06-1LZ	100-130V	1-100%	6683	100-130V	10-100%
	IPL06	100-130V	15-100%	6602	100-130V	0-100%
	DZ6HD	100-130V	17-100%	AWSMT-EAW	100-130V	0-100%
	TBL03	100-130V	15-100%	AWSMT-EAW	277V	0-100%
	6674	100-130V	16-100%			

LEGRAND	RHCL453PNICCV6	100-130V	6-100%			
	WSCL450TCCCV4	100-130V	11-100%			
	LSCL453PLACCV4	100-130V	11-100%			

CRESTRON	CLW-DELVEX-P-W-S	100-130V	11-100%			
----------	-------------------------	----------	---------	--	--	--