

## FIXTURE SPECIFICATIONS

### INTENDED USE

With a frosted lens, the architectural-grade Continuum LED lighting offers RGBW color-changing illumination to commercial, hospitality and residential interiors. Our pendant-mounted or surface-mounted ceiling product yields integrated, direct downlighting in standard lengths of 4ft and 8ft and can be joined together for seamless runs of any length. For optimal color-control consistency, this product works best within series F.

### PRODUCT FAMILY

- 12100-23-RGBW-P | Pendant
- 12100-23-RGBW-S | Surface
- 12100-23-RGBW-W | Wall
- 12100-23-RGBW-R | Recessed

### AVAILABLE LENGTHS

- 4FT | W 2.375" x L 48" x H 3.350"
- 8FT | W 2.375" x L 96" x H 3.350"

### FEATURES

- Construction:** Die-formed and welded 22-gauge cold rolled steel
- Continuous Run:** Full ability to tandem mount for continuous run application
- Controller:** Wired touch wall control panel or Bluetooth via Illumi mobile app (available for iOS and android devices)
- Control color, tune white light, create schedules, or use preloaded effects*
- Lens:** Glare-free snap-in frosted acrylic for even distribution
- Voltage:** 120-277V
- Dimming:** Via touch wall control or mobile app controller
- CRI:** 80+
- Color Temperature:** RGB with White (3000K). For optimal color control consistency, this product works best within series F
- Life:** 50,000 hours L70
- Warranty:** 5 years carefree for parts & components (labor not included)
- Listings:** cETL Listed, LED Chips Tested to LM-80 Standards



**New ilumi**  
Give Life to Light  
[iOS](#) + [Android](#)

Alcon Lighting 12100-23-RGBW Architectural LED Linear Color-Changing Light Fixture

## ORDERING INFORMATION Example: (12100-23-RGBW-P-4-R27-WH-AC4)

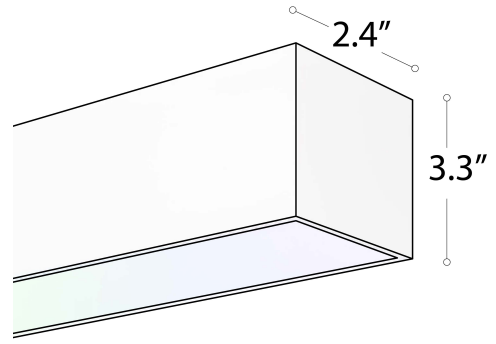
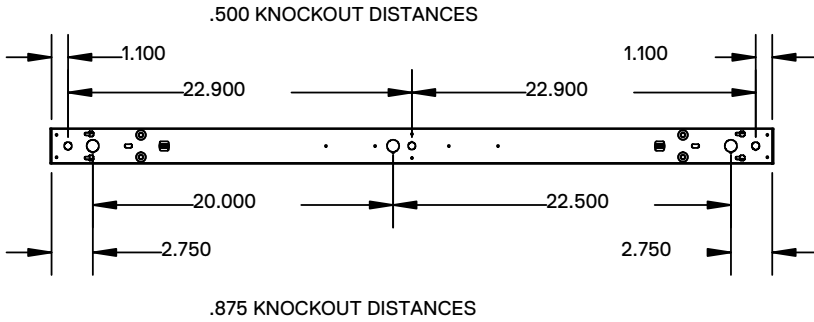
Model	Mount	Length	Wattage   Lumens	Finish	Mounting	Controls
12100-23-RGBW	<b>P</b>	<b>4</b>	(Per 4 Foot Sections)	<b>WH</b>	<b>AC4</b> Standard	<b>Blank</b>
	Pendant	4 Feet	<b>R27</b>	White	4' Adjustable Aircraft Cable (x2)	Downloadable Bluetooth App Standard
	<b>S</b>	<b>8</b>	27 Watts   1600lms	<b>BK</b>	<b>AC8</b>	<b>WRF-W<sup>1</sup></b>
	Surface	8 Feet	<b>R54</b>	Black	8' Adjustable Aircraft Cable (x2)	Wall Control (Wireless RF Technology) White Finish
	<b>W</b>	Continuous Run	54 Watts   3200lms	<b>SL</b>	<b>ST2</b>	<b>WRF-B<sup>1</sup></b>
	Wall	(Replace XX with Run Length in Feet)		Silver	2' Stem	Wall Control (Wireless RF Technology) Black Finish
<b>R</b>	Recessed		<b>SB</b>		<b>WDMX-W</b>	
			<b>BL</b>		Wall Control (Wired DMX Technology) White Finish	
			Blue		<b>WDMX-B</b>	
			<b>OR</b>		Wall Control (Wired DMX Technology) Black Finish	
			Orange			
			<b>GR</b>			
			Green			
			<b>RD</b>			
			Red			
			<b>RAL</b>			
			Consult Factory			



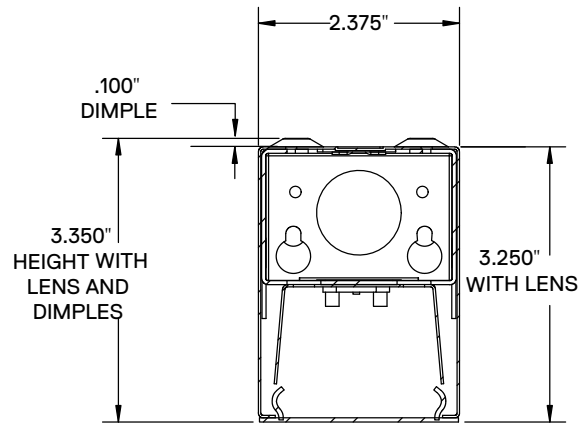
<sup>1</sup> Controller to be placed with 10 feet of the fixture and can only control up to 2 fixtures.

## DRAWINGS AND DIMENSIONS

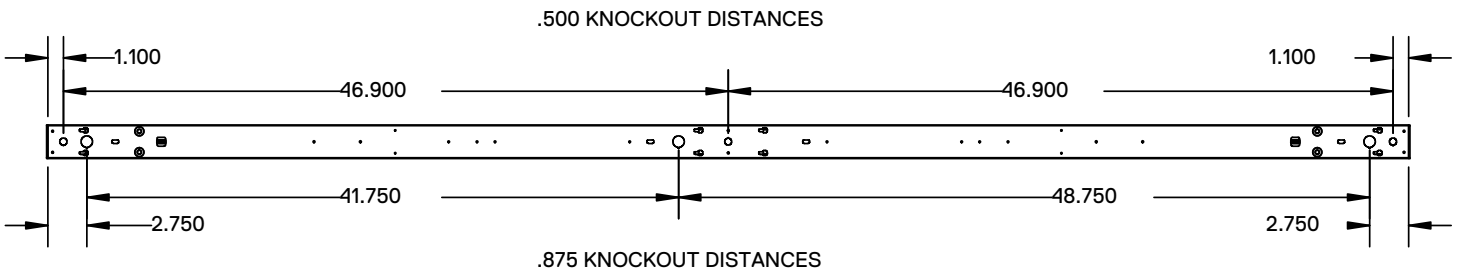
### 4 ft. Back View



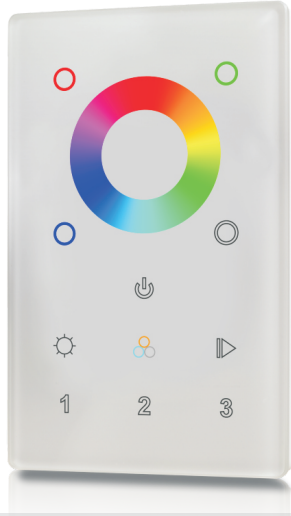
### End View



### 8 ft. Back View



**RGBW Touch DMX512 Wall Control Panel**



**Feature**

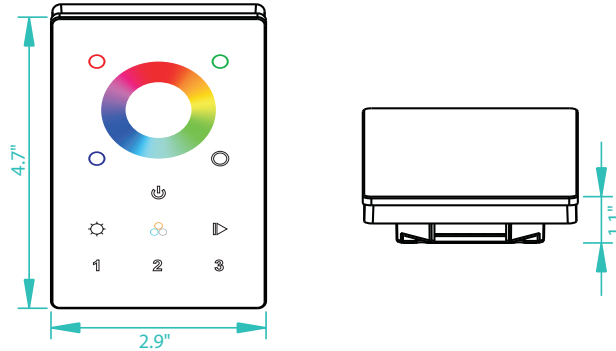
- 3 zones
- Sensitive Glass Touch Panel
- DMX512 Signal
- White & Black
- North American Size
- Max 20 fixtures (receivers) per control



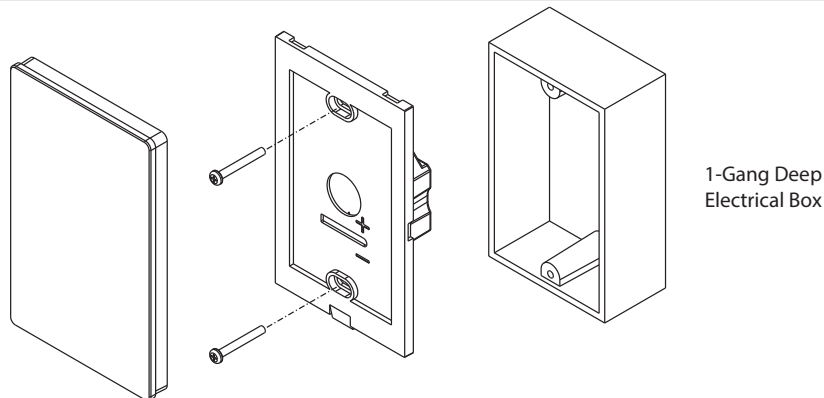
**Parameter**

Operation Voltage	OUTPUT	DIMENSIONS
12-24VDC	434MHz/868MHz	4.7" x 2.9" x 1.1"

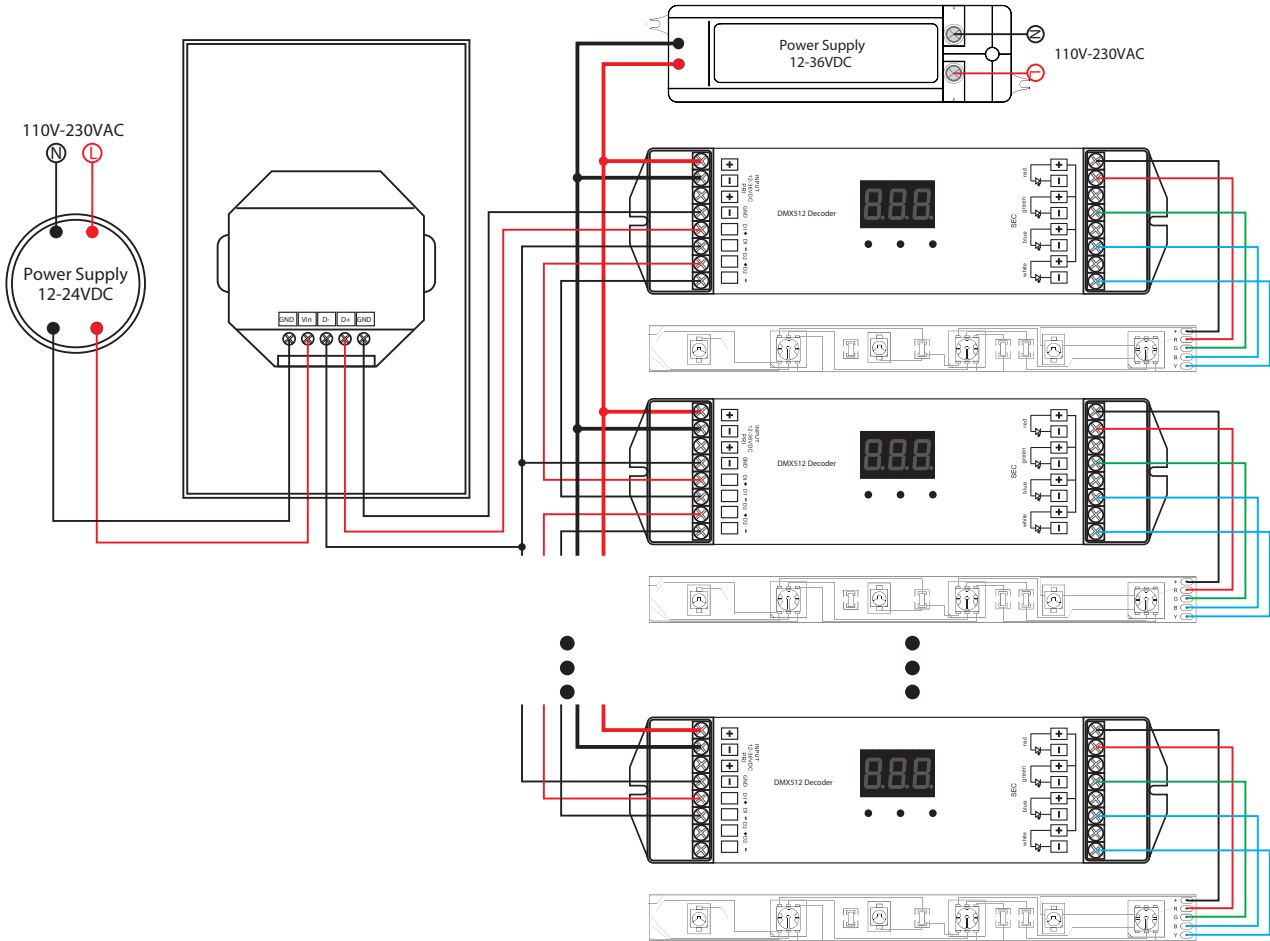
**Product Size**



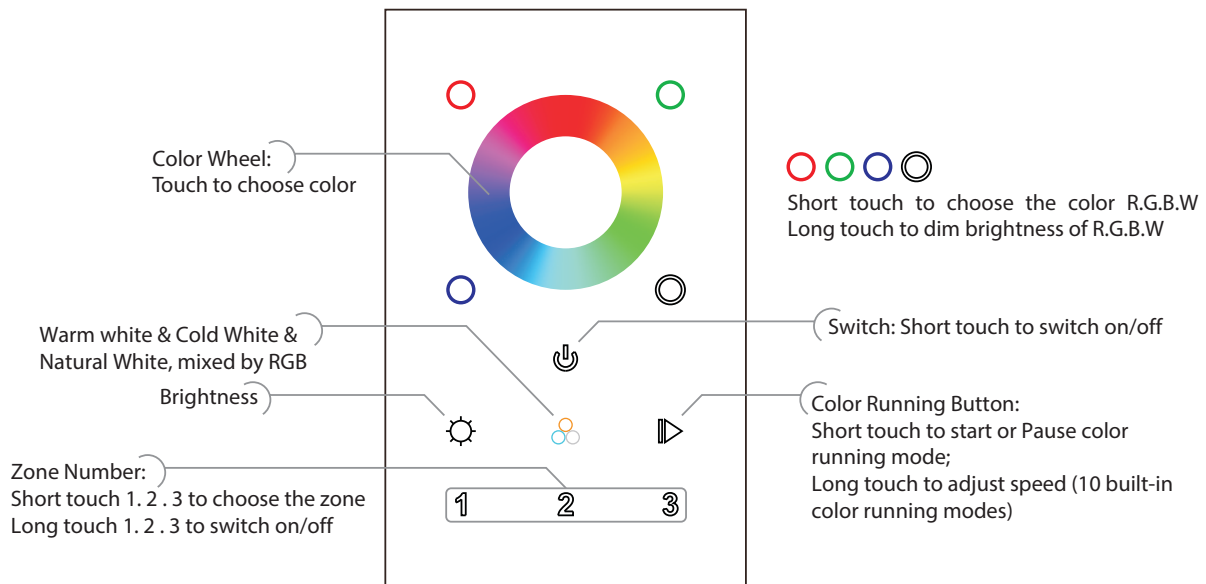
**Installation**



### Wiring Diagram



### Button Introduction



## RGBW TOUCH DMX512 WALL CONTROL PANEL

### Operation

#### How to Set DMX Address ?

One Wall Control Panel can control 3 zones separately or synchronously  
Each Zone can control DMX Decoders like our wall control panel.

All DMX Decoders

In Zone 1 set as 001

In Zone 2 set as 005

In Zone 3 set as 009

*Note: one DMX Decoder has 4 channels take 4 DMX Address, zone one take 001, 002, 003, 004:  
zone 2 take 005,006.007.008, zone 3 take 009. 010.011.012*

### Safety & Warnings

- 1) The product shall be installed and serviced by a qualified person.
- 2) IP20. Please avoid the sun and rain. When installed outdoors, please ensure it is mounted in a water proof enclosure.
- 3) Always be sure to mount this unit in an area with proper ventilation to avoid overheating.
- 4) Please check if the output voltage of any LED power supplies used comply with the working voltage of the product.
- 5) Never connect any cables while power is on and always assure correct connections to avoid short circuits before switching on.
- 6) Please ensure that the cable is secured tightly in the connector
- 7) For update information please consult your supplier.