

Project Name: \_\_\_\_\_

Type: \_\_\_\_\_ Quantity: \_\_\_\_\_

[Shop Now](#)

## FIXTURE SPECIFICATIONS

### INTENDED USE

Our linear architectural LED lights come with a variety of color temperature, dimming, CRI and voltage options. Ideal for commercial, hospitality and residential interior lighting, this 4-inch lens opening fixture offers an RGBW and Bluetooth Light Mesh smart phone app for optimal performance and versatility. This linear fixture comes in standard lengths of 2ft, 3ft, 4ft, 6ft and 8ft and can be joined together for seamless runs of any length. Available with varying options in lumen output.

### PRODUCT FAMILY

<b>12100-40-P</b>	Linear Pendant	<b>12100-40-P-RGBW</b>	Linear Pendant RGBW
<b>12100-40-W</b>	Linear Wall	<b>12100-40-W-RGBW</b>	Linear Wall RGBW
<b>12100-40-S</b>	Surface	<b>12100-40-S-RGBW</b>	Linear Surface RGBW
<b>12100-40-R</b>	Recessed	<b>12100-40-R-RGBW</b>	Linear Recessed RGBW
<b>12100-40-Y</b>	Y Shape		
<b>12100-40-SQ</b>	Square Shape		
<b>12100-40-RC</b>	Rectangle Shape		
<b>12100-40-HEX</b>	HEX Shape		

### FEATURES

**Construction:** Die-formed and welded 22-gauge cold rolled steel, painted finish with premium paint

**Indirect Mounting:** For most effective indirect lighting result, mount at no less than 18" from the ceiling

**Custom Design:** Offered with pre-fabricated and fully illuminated corners

**Lens:** Glare-free, frosted acrylic snap-in flat lens for even distribution

**Voltage:** 50/60 Hz Constant current 0-10V @ 120-277V, TRIAC & ELV @ 120V **RGBW**, **Tunable White** @ 120-277V

**Dimming for Static Color:** 0-10V, TRIAC (Forward-phase), ELV (Reverse-phase)

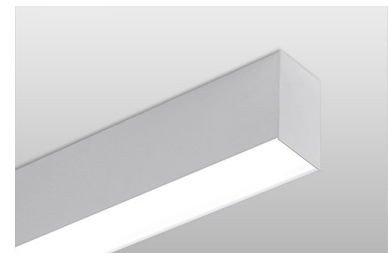
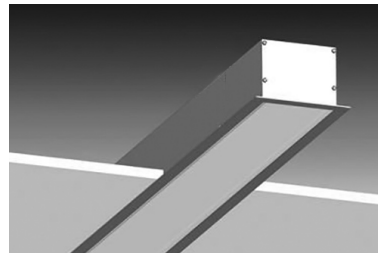
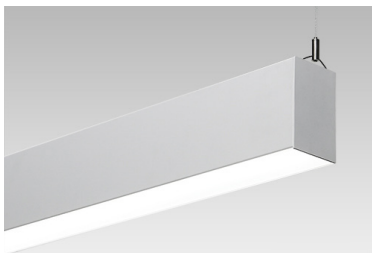
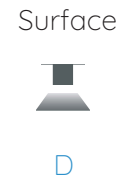
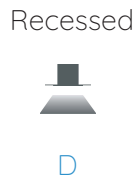
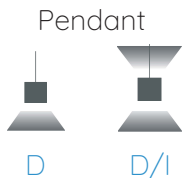
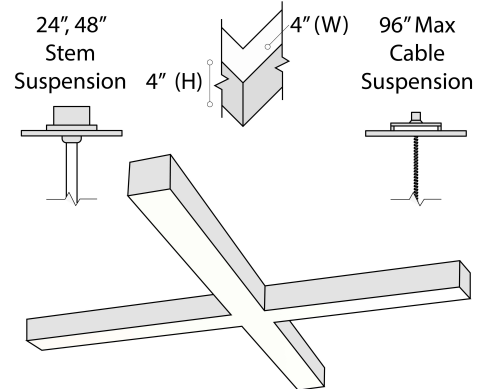
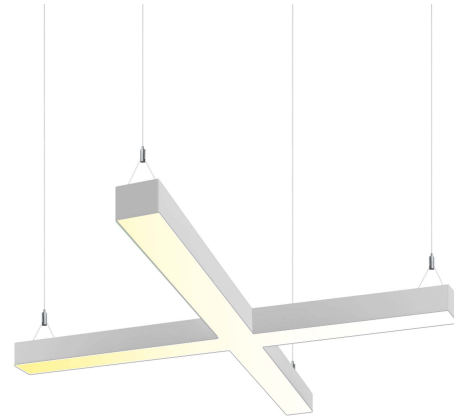
**RGBW Smart Phone App:** Light Mesh Bluetooth App for [iOS](#) and [Android](#)

**Life:** +60,000 Reported L70 Hours @ 55°C

**Operating Temperature:** 4°F (-20°C) ~ 122°F (50°C).

**Warranty:** 5 years (Dynamic Colors) and 2 years (**RGBW** & **Tunable White**) Carefree for parts & components (Labor not included)

**Listings:** cULus Listed, UL listed for damp location, ADA compliant (Less than 4" off wall)



Alcon Lighting 12100-40-X Architectural LED Direct/Indirect X Shape Light Fixture

ORDERING INFORMATION Example: (12100-40-X-P-D4-27K-010-WH-WH-8-FL)

MODEL	12100-40-X 4" x 4"		
MOUNTING	<b>P</b> Pendant <b>S</b> Surface <b>RF</b> Recessed Flanged (1/2 Drywall)		
DOWNLIGHT LUMENS <i>Wattage &amp; Lumens per foot</i>	<b>DYNAMIC WHITE</b> <b>D4</b> 4.5 Watts   734 lms <b>D6</b> 6.75 Watts   924 lms <b>D9</b> 9 Watts   991 lms <b>D12</b> 12 Watts   1384 lms <b>D13</b> 13.5 Watts   1467 lms <b>Dx</b> Specify Lumens <sup>14</sup> (Min 113 lms - Max 2000 lms)	<b>TUNABLE WHITE</b> <b>TW-4</b> 4.5 Watts   734 lms <sup>12</sup> <b>TW-6</b> 6.75 Watts   924 lms <sup>12</sup> <b>TW-9</b> 9 Watts   991 lms <sup>12</sup> <b>TW-12</b> 12 Watts   1384 lms <sup>12</sup> <b>TW-13</b> 13.5 Watts   1467 lms <sup>12</sup> <b>TW-DLO</b> 4.4 Watts   494 lms <sup>13</sup> <b>TW-DHO</b> 8.8 Watts   988 lms <sup>13</sup>	<b>RGBW</b> <sup>11</sup> <b>RGBW-D10</b> 10 Watts   425 lms
UPLIGHT OPTICS <sup>16</sup>	<b>Blank</b> Not Required <b>CC</b> Clear cover for no optic	<b>15</b> 15° <b>30</b> 30° <b>60</b> 60°	<b>20</b> 20° Asymmetric <b>120</b> 120° Batwing
UPLIGHT LUMENS <sup>1,2</sup> <i>Wattage &amp; Lumens per foot</i>	<b>DYNAMIC WHITE</b> <b>Blank</b> Not Required <b>I4</b> 4.5 Watts   530 lms <b>I6</b> 6.75 Watts   733 lms <sup>3</sup>	<b>TUNABLE WHITE</b> <b>Blank</b> Not Required <b>TW-4</b> 4.5 Watts   734 lms <sup>12</sup> <b>TW-6</b> 6.75 Watts   924 lms <sup>12</sup> <b>TW-ILO</b> 4.4 Watts   494 lms <sup>13</sup> <b>TW-IHO</b> 8.8 Watts   988 lms <sup>13</sup>	<b>RGBW</b> <sup>11</sup> <b>Blank</b> Not Required <b>RGBW-I10</b> 10 Watts   425 lms
ARM LENGTH	<b>2</b> 2 Foot Arms <b>4</b> 4 Foot Arms <b>5</b> 5 Foot Arms <b>6</b> 6 Foot Arms <b>8</b> 8 Foot Arms		
COLOR TEMPERATURE	<b>DYNAMIC WHITE</b> <b>27K</b> 2700K Warm White <sup>15</sup> <b>30K</b> 3000K Soft White <b>35K</b> 3500K Neutral White <b>40K</b> 4000K Cool White <b>50K</b> 5000K Daylight	<b>TUNABLE WHITE</b> <b>272750</b> 2700-5000K (Wired) <sup>5</sup> <b>TW2065</b> 2000-6500K (Wired) <sup>5</sup> <b>TW2762</b> 2700-6200K (Wireless) <sup>4,6</sup>	<b>RGBW</b> <sup>11</sup> <b>RGBW30</b> RGB + W (3000K) <b>RGBW40</b> RGB + W (4000K)
DRIVER	<b>DYNAMIC WHITE</b> <b>O10</b> 0-10V 1% <sup>Standard</sup> <b>TRI</b> Triac (120V) <b>ELV</b> Electronic Low Voltage <b>ES566</b> eldoLED 0-10V SOL0drive <b>BLS</b> Bi-Level Step 40/100% <b>BLS<sub>step</sub></b> Bi-Level Step <sup>step</sup> /100% <b>TLS</b> Tri-Level Step 30/70/100% <b>TLS<sub>step</sub></b> Tri-Level Step <sup>step</sup> / <sup>step</sup> /100%	<b>TUNABLE WHITE</b> <b>050</b> Tunable White 0-10V	<b>RGBW</b> <sup>11</sup> <b>24V</b> RGBW & Wireless Tunable White <sup>5</sup>
FINISH	<b>WH</b> White (Matte) <sup>Standard</sup> <b>SL</b> Silver (Matte)	<b>BK</b> Black (Matte) <b>RAL#</b> Specify RAL # (Pg. 3)	
PENDANT MOUNTING	<b>Blank</b> Not Required	<b>AC4</b> 4' Adjustable Aircraft Cable <b>AC8</b> 8' Adjustable Aircraft Cable <b>ACX</b> Specify X in Feet (Max 30')	<b>ST2</b> 2' Stem <sup>10</sup> <b>ST4</b> 4' Stem <sup>10</sup> <b>STX</b> Specify X in Feet (Max 8') <sup>10</sup>
PENDANT CEILING TYPE	<b>Blank</b> Not Required	<b>T9</b> 9/16" Grid T-bar <b>T15</b> 15/16" Grid T-bar	<b>H</b> Hard / Dry Wall <b>SH</b> Sloped Hard / Dry Wall
CORD / CANOPY FINISH	<b>WH/WH</b> White Cord / White Canopy <b>WH/BK</b> White Cord / Black Canopy	<b>BK/BK</b> Black Cord / Black Canopy <b>BK/WH</b> Black Cord / White Canopy	<b>WH/RAL#</b> White Cord / Specify RAL # (Page 3) <b>BK/RAL#</b> Black Cord / Specify RAL # (Page 3)
CRI	<b>8</b> 80+ CRI	<b>9</b> 90+ CRI <sup>7</sup>	
CONTROLS	<b>DYNAMIC WHITE</b> <b>Blank</b> Not Required <b>LV</b> Lutron VIVE Wireless <sup>9</sup> <b>FE</b> Fulham Elite Control <sup>9</sup>	<b>TUNABLE WHITE</b> <sup>4</sup> <b>TW-WWR-BK</b> Wireless Black Wall Remote <b>TW-WWR-WH</b> Wireless White Wall Remote <b>TW-DWR-BK</b> Wireless Black Desktop Remote	<b>RGBW</b> <sup>11</sup> <b>RGBW-APP</b> iOS/Android Bluetooth App <b>RGBW-SZ</b> Wireless RF Remote Control Single Zone <b>RGBW-MZ</b> Wireless RF Remote Control Multi Zone <b>RGBW-DMX</b> 4-Channel DMX512 Decoder
WARRANTY	<b>Blank</b> 5 Year Warranty <sup>Standard</sup>	<b>W7</b> 7 Year Warranty	<b>W10</b> 10 Year Warranty
OPTIONS	<b>EM8</b> 8W Emergency Battery <b>EM15</b> 15W Emergency Battery <b>EM20</b> 20W Emergency Battery	<b>EM25</b> 25W Emergency Battery <b>OS</b> Occupancy & Daylight Harvesting Sensor <b>DS</b> Daylight Dimming Photo Sensor	<b>AB</b> Separate Uplight & Downlight Dimming Control <sup>8</sup> <b>GTD</b> Bodine Generator Transfer Device <b>COC</b> Chicago Code Compliance Separated EM Feed
VIVE CONTROL SYSTEM <i>(OPTIONAL NOT REQUIRED)</i>	<b>VDO</b> Integral RF Occupancy/Daylight (EcoSystem) <b>VRF</b> Integral RF (EcoSystem)	<b>FCJ50</b> PowPak (0-10V) <b>FCJ5E</b> PowPak (EcoSystem) <b>FCJ50EM</b> EM UL924 PowPak (0-10V) <b>FCJ5EEM</b> EM UL924 PowPak (EcoSystem)	<b>RMJS8T</b> PowPak RF (0-10V) <b>RMJSEC032</b> PowPak RF Single Zone (EcoSystem) <b>RMJS8TEM</b> EM UL924 PowPak RF (0-10V)
FULHAM CONTROL SYSTEM <i>(OPTIONAL NOT REQUIRED)</i>	<b>ELIOP-SR</b> Occupancy & Daylight Harvesting (Short Range) <b>ELIOP-LR</b> Occupancy & Daylight Harvesting (Long Range)	<b>SR-W</b> White Wireless Single Rocker Pad <b>DR-W</b> White Wireless Double Rocker Pad	

1 Only available for Pendant and Wall Mounts with General Downlight Optics  
 2 RGBW downlight can be paired with a static color temperature uplight or RGBW uplight  
 3 Only compatible with D6 & D12 Downlight Wattages  
 4 Wireless control must be specified (page 5)

5 Must be Paired with 050 Driver  
 6 Must specify for RGBW & Wireless Tunable White 24V Driver  
 7 Not available for RGBW  
 8 For RGBW, AB is only available though RGBW-MZ control or RGBW-APP  
 9 Control system must be specified for this feature  
 10 Stem finish will be the same as fixture finish

11 Bluetooth app control or wireless control must be specified for this feature (cannot be combined)  
 12 Only for Wired Tunable White Control  
 13 Only for Wireless Tunable White Control  
 14 Max lumen for 6' & 8' lengths is 1467 lms.  
 15 Only available in 90CRI  
 16 Not Available for RGBW

## Available Finishes

### Standard

	Matte White	RAL #9003
--	-------------	-----------

*Set up fee and longer lead time will be applied on non-standard finishes.*

### Metropolitan

	Black	RAL #9011
--	-------	-----------

	Silver	RAL #9022
--	--------	-----------

	Asher Grey	RAL #7004
--	------------	-----------

	Mason	RAL #7039
--	-------	-----------

	Slate	RAL #7031
--	-------	-----------

	Tech Grey	RAL #7016
---	-----------	-----------

	Chocolate Spice	RAL #8017
--	-----------------	-----------

	Urban Native	RAL #8025
--	--------------	-----------

	Carmin	RAL #8028
--	--------	-----------

	Reseda Green	RAL #6011
--	--------------	-----------

### Vibrant

	Violet Dreams	RAL #4006
--	---------------	-----------

	Purple Red	RAL #3004
--	------------	-----------

	Carmine Red	RAL #3002
--	-------------	-----------

	Rose	RAL #3017
--	------	-----------

	Pure Orange	RAL #2004
--	-------------	-----------

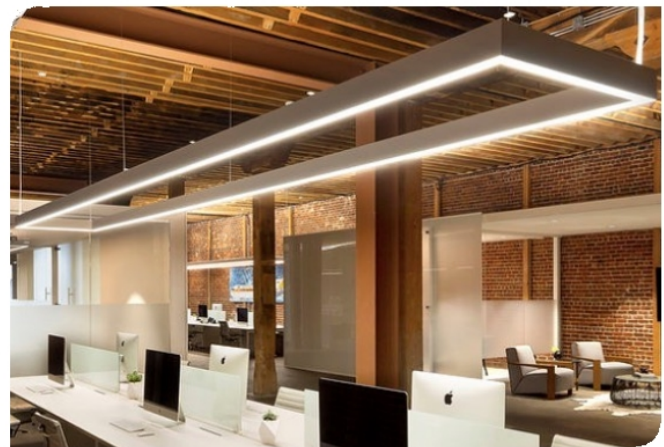
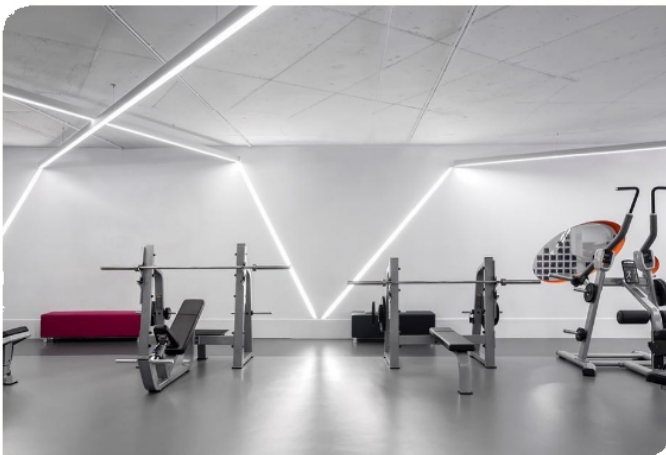
	Traffic Yellow	RAL #1023
---	----------------	-----------

	Daisy	RAL #1018
--	-------	-----------

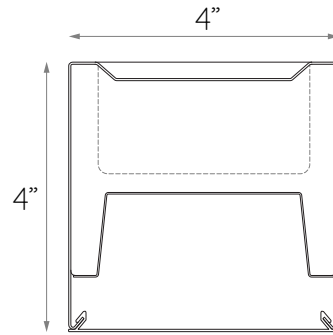
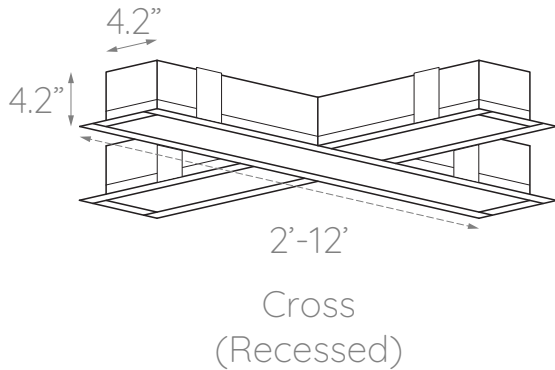
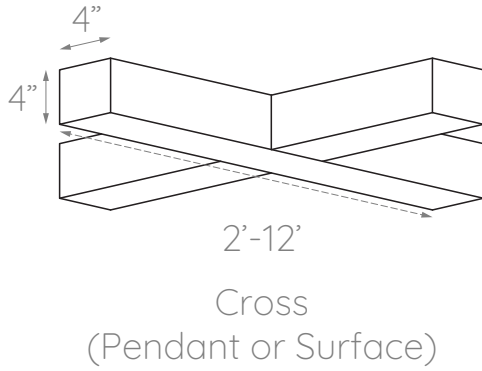
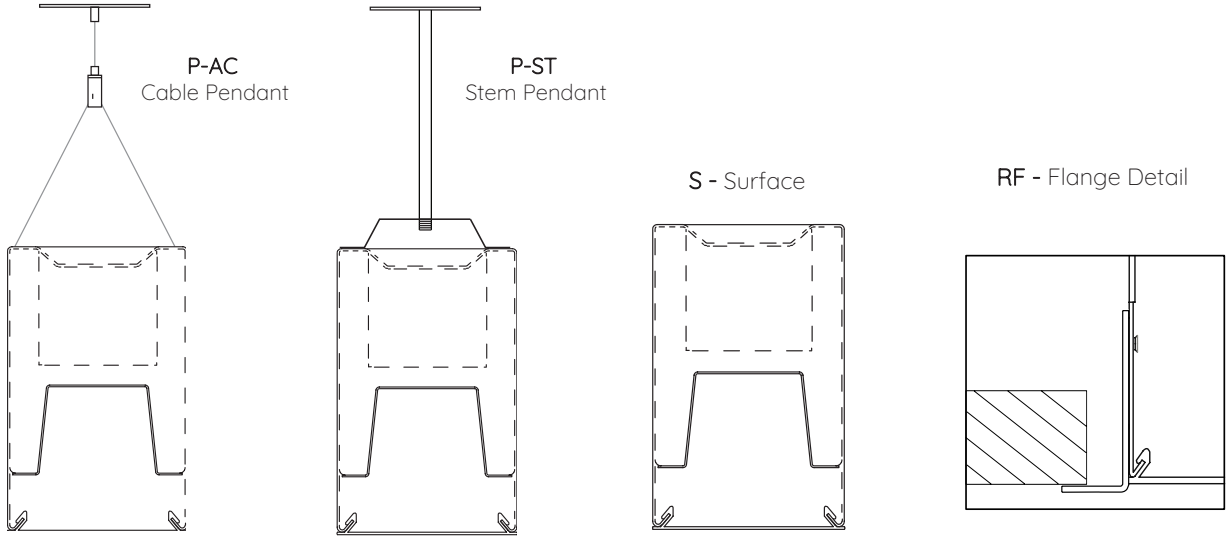
	Antique Spring	RAL #6019
--	----------------	-----------

	Island Skye	RAL #6027
--	-------------	-----------



	Sky Blue	RAL #5015
--	----------	-----------



Mounting

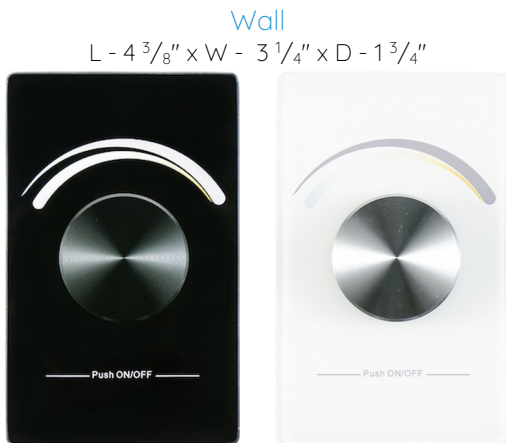


## Compatible Dimmers

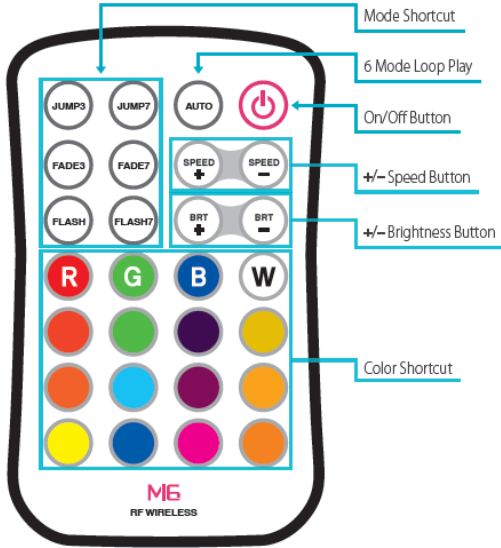
	Dynamic White			TUNABLE WHITE
	Triac	ELV	0-10V	0-10V
	TG-600P LG-600P TGCL-153P DV-600P DVCL-153P S-603PG CT-103P S-600P	DVELV-303P SELV-300P MAELV-600 FAELV-500	NTSTV NFTV DVSTV	DVTV DVSTV  For use with TW2750 & TW2065 Must order two items: (1) For Dimming (2) For Color Tuning
	6161 6633-P 6683 6631-2 IPI06-1LZ	IPE04 VPE06-1LZ	IP710-DLZ	

## Wireless Tunable White Control

Weight	0.35 lbs
Dimming Type	PWM
Signal Type	RF (Radio Frequency) 434 MHz/868MHz
Range	100ft from fixture
Maximum Load	24V @ DC 480W
Working Temperature	-20°F to 140°F (-28C to 60°C)
Battery	3V (CR2032 Battery)



## RGBW-SZ | RF Remote Control Single Zone



Dimensions	H 5-3/4" x W 2-5/16" x D 3/8"
Supply Voltage	24V DC constant voltage
Signal Type	RF (Radio Frequency) 433.92MHz
Range	165ft from fixture
Maximum Load	24V @ DC 216W
Working Temp.	-4°F to 131°F (-20°C to 55°C)
Battery	3V (CR2032 battery)

Wall mount plate is included

## RGBW-MZ | RF Remote Control Multi Zone





Dimensions	L 5.7" x W 2.1" x H 0.86"
Input Voltage	DC5V (Built-in Lithium battery)
Working Frequency	2.4 GHz
Max. Distance	98ft from fixture
Maximum Load	24V @ 360W
Change Mode	18 color modes
Scale Level	1024 x 1024 x 1024
Weight (G.W.)	0.44 lbs
Working Temp.	-22°F to 131°F (-30°C to 55°C)
Zone	up to 10

Wall mount plate is included

### Preset Modes

1	3 Color jump	10	Green / Cyan fade
2	7 Color jump	11	Blue / Purple fade
3	White flash	12	Green / Yellow fade
4	7 Color flash	13	Blue / Cyan fade
5	RGB fade in / out	14	Red / Purple fade
6	Red / Green fade	15	Blue / White fade
7	Red / Blue fade	16	Yellow / Purple / Cyan fade
8	Green / Blue fade	17	RGB fade
9	Red / Yellow fade	18	Full-color fade

## Controls

Smart Sensors	Protocol	Compatible Networks	Occupancy	Daylight	Temperature Reporting	Communication to Luminaire
	Lutron Clear Connect	Lutron Vive System Network	Enabled	Enabled	No	Wireless
	eliteBlue	EliteControl SmartBridge	Enabled	Enabled	No	Wireless

### LUTRON

Controls Installed on the Fixture



**VDO**  
Individual  
Fixture Control

Shipped LUTRON VIVE Enabled with VDO Vive Integral Fixture Control (with Sensing).



**VRF**  
Individual  
Fixture Control

Shipped LUTRON VIVE Enabled with VRF Vive Integral Fixture Control (RF Only) Installed on the Fixture.



**FCJS0**  
Individual  
Fixture Control

Shipped LUTRON VIVE Enabled FCJS0 Control Module Installed on the Fixture.



**FCJSE**  
Individual  
Fixture Control

Shipped LUTRON VIVE Enabled FCJSE Control Module Installed on the Fixture.



**FCJS0EM**  
Individual  
Fixture Control

Shipped LUTRON VIVE Enabled FCJS0EM Control Module Installed on the Fixture.



**FCJSEEM**  
Individual  
Fixture Control

Shipped LUTRON VIVE Enabled FCJSEEM Control Module Installed on the Fixture.



**RMJS8TEM**  
Individual  
Fixture Control

Shipped LUTRON VIVE Enabled RMJS8TEM Control Module Installed on the Fixture.



**RMJS8T**  
Individual  
Fixture Control

Shipped LUTRON VIVE Enabled RMJS8T Control Module Installed on the Fixture.



**RMJSECO32**  
Individual  
Fixture Control

Shipped LUTRON VIVE Enabled RMJSECO32 Control Module Installed on the Fixture.

### EliteControl FULHAM

Controls Installed on the Fixture



**ELIOP-SR**  
Short Range,  
Bluetooth  
occupancy  
and Daylight  
Sensing

Harvesting



**ELIOP-LR**  
Long range, Bluetooth  
compatible occupancy  
and Daylight Harvesting  
Sensor.

Controls Provided by Fulham



**SR-W** - Bluetooth  
Single Rocker Pad



**SR-D** - Bluetooth  
Double Rocker Pad

## Photometrics (for Dynamic Color Temperatures)

### Direct

12100-20-D4-S-4  
Illuminance at a Distance

	Center Beam FC	Beam Width
1.7FT	555 FC	3.9 FT 3.1 FT
3.3FT	147 FC	7.6 FT 6.1 FT
5.0FT	64.1 FC	11.6 FT 9.2 FT
6.7FT	35.7 FC	15.5 FT 12.3 FT
8.3FT	23.3 FC	19.2 FT 15.2 FT
10.0FT	16.0 FC	23.2 FT 18.4 FT

■ Vert. Spread: 98.4°  
■ Horiz. Spread: 85.1°

12100-20-D13-S-4  
Illuminance at a Distance

	Center Beam FC	Beam Width
1.7FT	993 FC	3.9 FT 3.1 FT
3.3FT	263 FC	7.6 FT 6.1 FT
5.0FT	115 FC	11.6 FT 9.2 FT
6.7FT	63.9 FC	15.5 FT 12.3 FT
8.3FT	41.6 FC	19.2 FT 15.2 FT
10.0FT	28.7 FC	23.2 FT 18.4 FT

■ Vert. Spread: 98.4°  
■ Horiz. Spread: 85.1°

12100-20-D6-S-8  
Illuminance at a Distance

	Center Beam FC	Beam Width
1.7FT	1,117 FC	3.9 FT 3.1 FT
3.3FT	296 FC	7.6 FT 6.1 FT
5.0FT	129 FC	11.6 FT 9.2 FT
6.7FT	71.9 FC	15.5 FT 12.3 FT
8.3FT	46.8 FC	19.2 FT 15.2 FT
10.0FT	32.3 FC	23.2 FT 18.4 FT

■ Vert. Spread: 98.4°  
■ Horiz. Spread: 85.1°

12100-20-D13-S-8  
Illuminance at a Distance

	Center Beam FC	Beam Width
1.7FT	1,986 FC	3.9 FT 3.1 FT
3.3FT	527 FC	7.6 FT 6.1 FT
5.0FT	230 FC	11.6 FT 9.2 FT
6.7FT	128 FC	15.5 FT 12.3 FT
8.3FT	85.3 FC	19.2 FT 15.2 FT
10.0FT	54.7 FC	23.2 FT 18.4 FT

■ Vert. Spread: 98.4°  
■ Horiz. Spread: 85.1°

### Direct/Indirect

12100-20-D6-I6-S-4  
Illuminance at a Distance

	Center Beam FC	Beam Width
1.7FT	470 FC	3.9 FT 3.3 FT
3.3FT	296 FC	7.6 FT 6.5 FT
5.0FT	129 FC	11.5 FT 9.8 FT
6.7FT	71.9 FC	15.5 FT 13.2 FT
8.3FT	46.8 FC	19.1 FT 16.3 FT
10.0FT	32.3 FC	23.1 FT 19.7 FT

■ Vert. Spread: 98.1°  
■ Horiz. Spread: 89.0°

12100-20-D13-I4-S-4  
Illuminance at a Distance

	Center Beam FC	Beam Width
1.7FT	982 FC	3.8 FT 3.1 FT
3.3FT	261 FC	7.4 FT 5.9 FT
5.0FT	114 FC	11.3 FT 9.0 FT
6.7FT	63.2 FC	15.1 FT 12.1 FT
8.3FT	41.2 FC	18.7 FT 14.9 FT
10.0FT	28.4 FC	22.6 FT 18.0 FT

■ Vert. Spread: 96.9°  
■ Horiz. Spread: 83.9°

12100-20-D9-I6-S-8  
Illuminance at a Distance

	Center Beam FC	Beam Width
1.7FT	940 FC	3.9 FT 3.3 FT
3.3FT	249 FC	7.6 FT 6.5 FT
5.0FT	109 FC	11.5 FT 9.8 FT
6.7FT	60.5 FC	15.5 FT 13.2 FT
8.3FT	39.4 FC	19.1 FT 16.3 FT
10.0FT	27.2 FC	23.1 FT 19.7 FT

■ Vert. Spread: 98.1°  
■ Horiz. Spread: 89.0°

12100-20-D6-I4-S-8  
Illuminance at a Distance

	Center Beam FC	Beam Width
1.7FT	1,965 FC	3.8 FT 3.1 FT
3.3FT	521 FC	7.4 FT 5.9 FT
5.0FT	227 FC	11.3 FT 9.0 FT
6.7FT	126 FC	15.1 FT 12.1 FT
8.3FT	82.4 FC	18.7 FT 14.9 FT
10.0FT	56.8 FC	22.6 FT 18.0 FT

■ Vert. Spread: 96.9°  
■ Horiz. Spread: 83.9°



## COLOR TEMPERATURE GUIDE

