

FIXTURE SPECIFICATIONS

INTENDED USE

Get more evenly distributed lighting with this knife-edged LED architectural-grade product. Our sharp-edged extrusion attaches to heavy gauge steel wall brackets or a special extension, affording on-board driver installation and 1/2" or 5/8" thick drywall on its underside.

FEATURES

- Construction:** Durable anodized aluminum
- Driver:** Remote 4N1 series
(Compatible with most TRIAC, ELV, MLV & 0-10V Dimmers)
- Voltage:** 24V DC constant voltage
- Lens:** Frosted for even distribution
- CRI:** 95+
- Life:** 50,000 hours
- Operating Temperature:** -40°F to +122°F
- Warranty:** 5 years carefree for parts & components (labor not included)
- Listings:** cULus Listed, IP54-Rated (Indoor)



Alcon 12100-52 Surface-Mounted Linear Knife Edge Cove LED Light



ORDERING INFORMATION Example: (12100-52-L6-S-8-30K-WH-010)

Model	Lumens Wattage	Shape	Single Run	Specify Length 2', 3', 4', 6' or 8'	Color Temp	Finish	Application
12100-52 Knife Edge Cove Surface	L1 210 lm 3W	S Single Run CR Continuous Run RC Rectangle SQ Square	Cont. Run	Specify Run Length in Feet	27K 2700K 30K 3000K 35K 3500K 40K 4000K 50K 5000K	WH White BK Black BZ Bronze SL Silver	C Standard Cove
	L2 315 lm 4.4W						F Floating Ceiling
	L3 698 lm 6.6W		Rectangle	-	W L		
			Square	-	W L		

Applications



Linear Run

Used for connecting linear lengths



Outside Corner

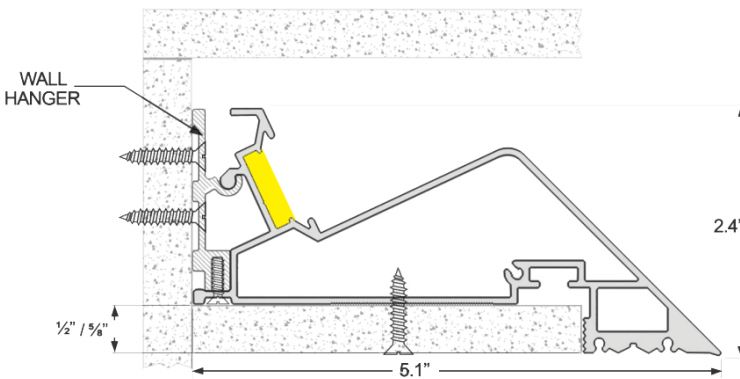
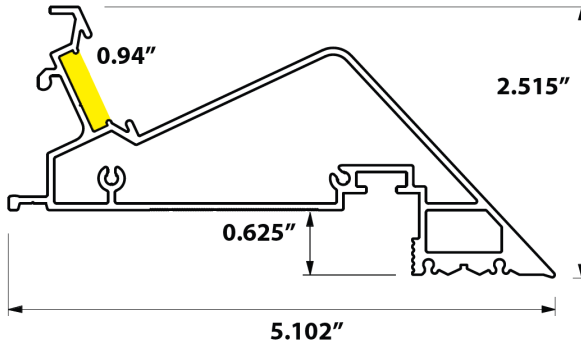
Used for floating ceilings



Inside Corner

Used for standard cove ceilings

Installation



COLOR TEMPERATURE GUIDE

