

## FIXTURE SPECIFICATIONS

### INTENDED USE

The Disk LED Pendant Mount Direct Down Light features an unobtrusive low profile design with low glare. The Disk is an ideal option for commercial and residential interior places.

### FEATURES

**Construction:** 1" super slim thin die-cast aluminum frame for low to medium height ceilings; Integral heat sink design for maximum heat rejection

**Ceiling Depth:** 1"

**Mounting:** for retrofit, new construction, and remodel applications; Universal mounting hardware for all standard octagonal electrical junction boxes; Field adjustable 7' max. cord

**Lens:** Glare-free, polycarbonate frosted white

**Color Temperature:** Select Switch

2700K/3000K/3500K/4000K/5000K

**Wattage:** 15W

**Lumens:** 1200 lms

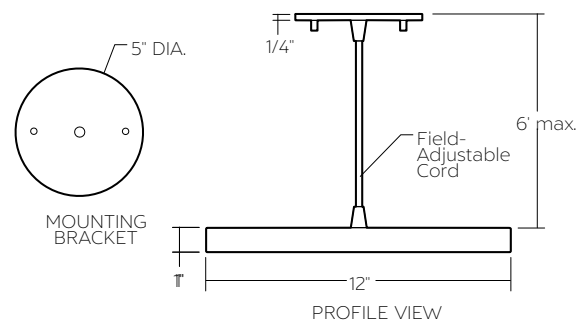
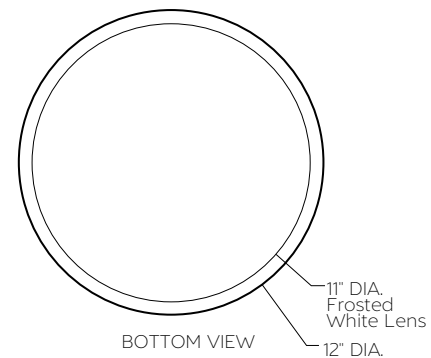
**CRI:** 85

**Lamp Equivalent:** 65W BR30

**Life:** 50,000 Hours

**Warranty:** 3 Years Free of Defects in Materials & Craftsmanship

**Listings:** cETLus Listed, Energy Star, Title 25 JA8, Damp Location, Assembled in the USA



## ORDERING INFORMATION Example: (12182-12-WH-WH-ELV)

Model	Finish	Mounting	Driver	Options
12182-12	WH White BK Black SL Silver BR Bronze	WH White Canopy & cord BK Black Canopy & cord	ELV ELV Dimming (120V) 0-10V Dimming (120/277V) O10	EM <sup>1</sup> Remote Emergency Backup Battery NC Non-Conductive Polycarbonate Housing

Alcon 12182-12 Disk Architectural LED 12 Inch Round Pendant Mount Direct Light