

### FIXTURE SPECIFICATIONS

#### INTENDED USE

downlight fixture features an unobtrusive low profile design with low glare. The 12182-5 architectural disk is an ideal option for commercial and residential interiors.

#### FEATURES

Construction: 3/4" super slim thin diecast aluminum frame for low to medium height ceilings. Integral heat sink design for maximum heat rejection. Ceiling depth: 1"

Mounting: For retrofit, new construction, and remodel applications. Universal mounting hardware for all standard octagonal electrical junction boxes. Field Adjustable 7' maximum cord is included Lens: Glare-free, polycarbonate frosted white Color

Temperature: Select Switch  
2700K/3000K/3500K/4000K/5000K

Beam Angle: 110°

Wattage: 12W

Lumens: 1000 lms

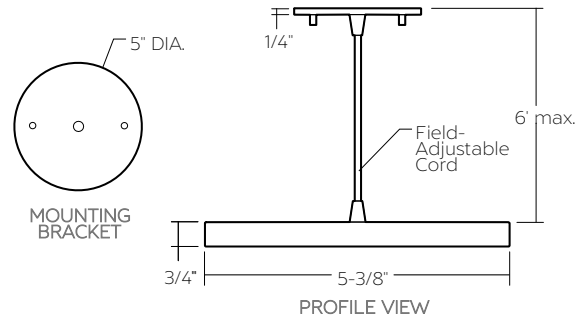
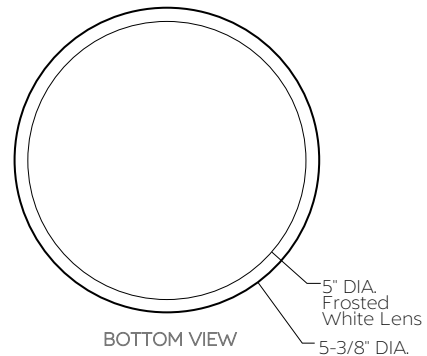
CRI: 85

Lamp Equivalent: 65W BR30

Life: 50,000 hours

Warranty: 3 years free of defects in materials & craftsmanship

Listings: cETLus Listed, Energy Star, Title 25 JA8, Damp Location, Assembled in the USA



### ORDERING INFORMATION Example: (12182-5-WH-EM)

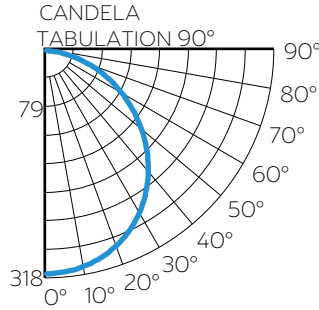
Model	Finish	Mounting	Driver	Options
12182-5	WH White	WH White Canopy & cord	ELV ELV Dimming (120V)	EM <sup>1</sup> Remote Emergency Backup Battery
	BK Black			
	SL Silver	BK Black Canopy & cord	O10 0-10V Dimming (120/277V)	NC Non-Conductive Polycarbonate Housing
	BR Bronze			

Alcon Lighting 12182-5 Disk Architectural LED 5-Inch Round Pendant Mount Direct

## PHOTOMETRICS

### 12182-5-30K-WH - 1000 lm

System Power:	11.3W	<u>MULTIPLIERS</u>	
Test Date:	1/2016	4000K:	1.33
Beam Angle 50%:	109.4°	3500K:	1.16
Field Angle 10%:	160.8°		
Color Temperature:	3000K		
CRI :	90		
Lumens	884.4lm		
Delivered: CBCP:	318cd		
Power Factor:	>.90		

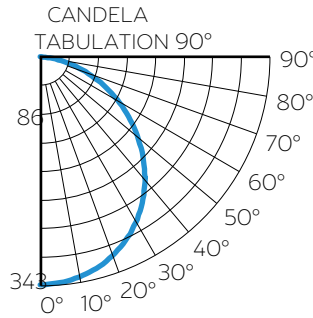


#### FOOTCANDLE DISTRIBUTION

Height	Beam Diameter	FC
8.0'	22.6'	5.0
9.0'	25.4'	3.9
10.0'	28.2'	3.2
11.0'	31.1'	2.6
12.0'	33.9'	2.2

### 12182-5-40K-WH - 1000 lm

System Power:	11.2W	<u>MULTIPLIERS</u>	
Test Date:	1/2016	3500K:	0.86
Beam Angle 50%:	109.4°	3000K:	0.75
Field Angle 10%:	160.8°		
Color Temperature:	4000K		
CRI :	90		
Lumens Delivered:	953.3lm		
CBCP:	343cd		
Power Factor:	>0.9 0		

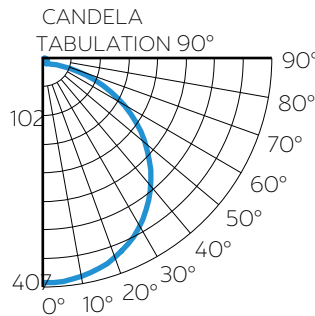


#### FOOTCANDLE DISTRIBUTION

Height	Beam Diameter	FC
8.0'	22.6'	5.4
9.0'	25.4'	4.2
10.0'	28.2'	3.4
11.0'	31.1'	2.8
12.0'	33.9'	2.4

### 12182-5-40K-WH - 1300 lm

System Power:	11.2W	<u>MULTIPLIERS</u>	
Test Date:	6/2017	3500K:	0.90
Beam Angle 50%:	113.5°	3000K:	0.77
Field Angle 10%:	165.8°		
Color Temperature:	3908K		
CRI :	90		
Lumens Delivered:	1196lm		
CBCP:	407cd		
Power Factor:	0.98		



#### FOOTCANDLE DISTRIBUTION

Height	Beam Diameter	FC
8.0'	24.4'	6.4
9.0'	27.5'	5.0
10.0'	30.5'	4.1
11.0'	33.6'	3.4
12.0'	33.6'	2.8