

### FIXTURE SPECIFICATIONS

#### INTENDED USE

The Disk LED Pendant Mount Direct Down Light features an unobtrusive low profile design with low glare. The Disk is an ideal option for commercial and residential interior places.

#### FEATURES

**Construction:** 1" super slim thin die-cast aluminum frame for low to medium height ceilings; Integral heat sink design for maximum heat rejection

**Ceiling Depth:** 1"

**Mounting:** for retrofit, new construction, and remodel applications; Universal mounting hardware for all standard octagonal electrical junction boxes; Field adjustable 7' max. cord

**Lens:** Glare-free, polycarbonate frosted white

**Color Temperature:** Select Switch 2700K/3000K/3500K/4000K/5000K

**Wattage:** 15W

**Lumens:** 1200 lms

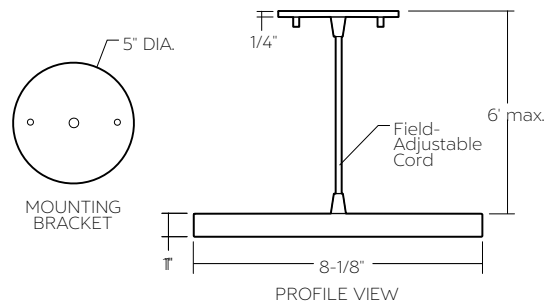
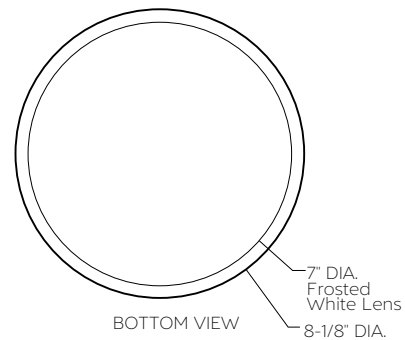
**CRI:** 85

**Lamp Equivalent:** 65W BR30

**Life:** 50,000 Hours

**Warranty:** 3 Years Free of Defects in Materials & Craftsmanship

**Listings:** cETLus Listed, Energy Star, Title 25 JA8, Damp Location, Assembled in the USA



### ORDERING INFORMATION Example: (12182-7-WH-WH-E V)

Model	Finish	Mounting	Driver	Options
12182-7	WH White	WH White Canopy & cord	ELV Dimming (120V)	EM <sup>1</sup> Remote Emergency Backup Battery
	BK Black	BK Black Canopy & cord	010 0-10V Dimming (120/277V)	NC Non-Conductive Polycarbonate Housing
	SL Silver			
	BR Bronze			

Alcon 12182-7 Disk Architectural LED 7 Inch Round Pendant Mount Direct Down Light