

**FIXTURE SPECIFICATIONS**

**INTENDED USE**

The Cirkel Three-Tier LED Suspended Pendant is an Architectural Grade extruded aluminum channel with solid opal lens diffused LED. The Cirkel Three-Tier LED is made of high quality Aluminum that features superior energy efficiency and prolonged lifespan and brings clean lines and clear light for an elegant lighting solution for any space.

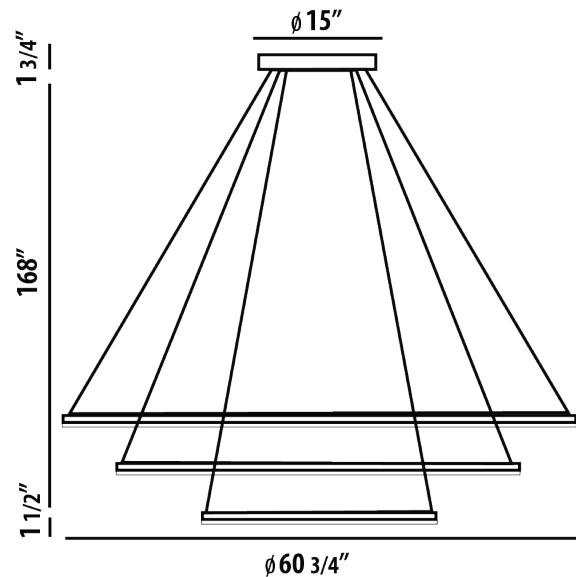
**DETAILS**

D 60.75" (1.54m) x H 1.5" (.4m) Weight: 67.76 lbs  
 Finish: Silver  
 Type: Suspended, Pendant  
 Lens: Opal White Acrylic  
 Cable Length: 168" Adjustable Aircraft Cable  
 Voltage: 120V Wattage: 165W  
 Lumens: 16298lm  
 Light Color Temp: 3000K CRI: 90+  
 Dimming: ELV Dimming  
 Listings: cULus  
 Warranty: 3 Years Carefree for Parts & Components (Labor Not Included)  
 Bulb included



ORDERING INFORMATION: Example: (12234-SL)

Model	Finish	
12234	SL	Silver
	BK	Black



Alcon Lighting 12234 Cirkel Three-Tier 60.75 Inches Architectural LED Pendant