

## FIXTURE SPECIFICATIONS

### INTENDED USE

The Architectural Grade 12301-4 LED 4 inch cylinder light fixture is ideal for medium to high ceilings and offers multiple mounting options.

### FEATURES

**Construction:** Spun steel with die-cast aluminum heat sink.

**CRI:** 90+ Standard, 97 CRI Optional

**Lens:** Clear lens standard

**Mounting:** Flat and slope ceiling pendant adapters available mounts to any electrical standard junction box

**Dimming:** 0-10V dimming. Optional universal system that works with most 2-wire incandescent, 3-wire ELV and 5-wire 0-10V dimmers offered.

**Voltage:** 120V/277V

**Operating Temperature:** -10°C to +80°C

**LED Life:** 50,000 L70

**Warranty:** 5 years carefree for parts and components (labor not included). We recommend the use of surge protectors on the power entering LED Housings. Surge damage is not covered by warranty.

**Listings:** cETLus listed to UL1598 and UL8750 Suitable for dry and damp locations. NYC approved: Calendar #41937. Assembled in the US.



Alcon Lighting 12301-4 Architectural 4-Inch Cylinder LED Light



## ORDERING INFORMATION Example: (12301-4-S-WH-L10-FL-830)

Model	Mounting	CCT   CRI	Lumens	Optics	Driver	Finish <sup>3</sup>	Options
	Surface   Pendant <sup>2</sup>						
12301-4	<b>C</b> Ceiling	<b>AC</b> Adj. Aircraft Cable 6-20 ft.	<b>27</b> 2700K   90+	<b>L10</b> 1000 lms   10W	<b>SP</b> <sup>Standard</sup> 40° Spot	<b>(Blank)</b> Non-Dimming	<b>WH</b> <sup>Standard</sup> White <b>FL</b> Frosted Lens
	<b>W</b> Wall	<b>RCST</b> Round Canopy Stem 12-48"	<b>30</b> <sup>Standard</sup> 3000K   90+	<b>L14</b> 1400 lms   14W	<b>FL</b> 50° Flood	<b>010</b> 0-10V 1% Dimming	<b>WH/BK</b> White with Black Trim <b>EM</b> <sup>4</sup> Internal Emergency Back-up Battery
		<b>SCST</b> Square Canopy Stem 12-48"	<b>35</b> 3500K   90+	<b>L20</b> 2000 lms   20W	<b>WFL</b> 70° Wide Flood	<b>UNI</b> <sup>1</sup> Universal Dimming	<b>BK</b> Black
		<b>SCST</b> Square Canopy Stem 12-48"	<b>40</b> 4000K   90+	<b>L26</b> 2600 lms   30W	<b>WW</b> Wall Wash	Triac, ELV, 0-10V	
		<b>RCTS</b> Round Canopy 75° Tiltable Stem 12-48"	<b>50</b> 5000K   80+				
		<b>THPM</b> Thread Hub for Pipe Mounting 0.5-1"	<b>27-9</b> 2700K   97+	<b>30-9</b> 3000K   97+			

<sup>1</sup>Not available for L60 lumen package

<sup>2</sup>Specify length by replacing *xxx* (see page 2)

<sup>3</sup> Fixture and mounting accessory ships in same finish

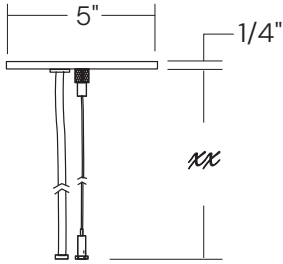
<sup>4</sup>Not available for L22/30 lumen packages and UNI dimming

## LINE DRAWINGS

### Ceiling Mount

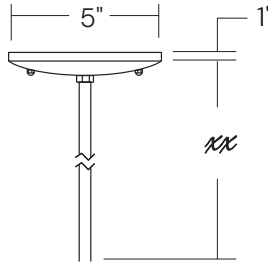
#### Round Canopy Adj. Aircraft Cable

XX = 12", 18", 24", 36", 48"



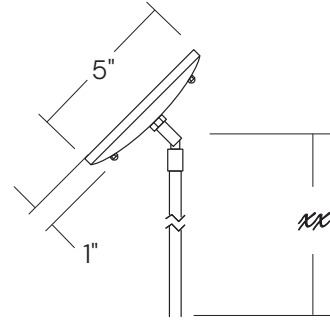
#### Round Canopy Stem Mount

XX = 12", 18", 24, 36", 48"



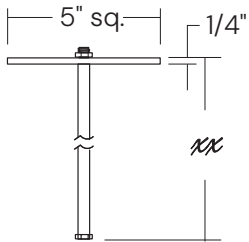
#### Round Canopy 75° Tiltable Stem

XX = 12", 18", 24", 36", 48"



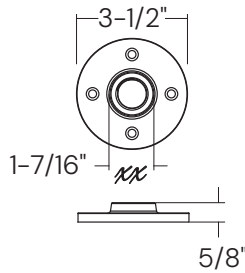
#### Square Canopy Stem Mount

XX = 12", 18", 24", 36", 48"

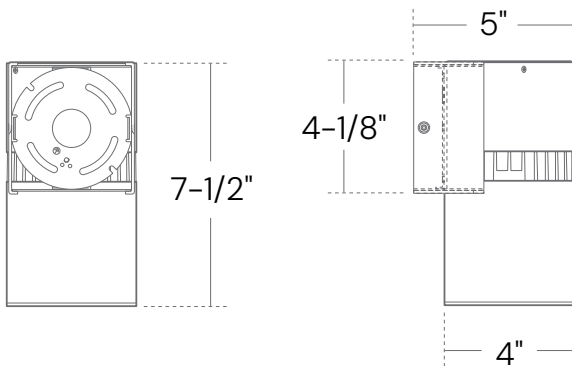


#### Thread Hub for Pipe Mounting

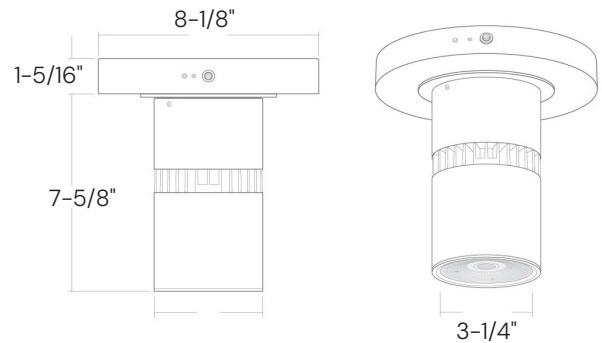
XX = 1/2", 3/4", 1"



### Wall Mount



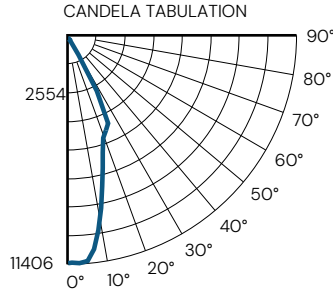
### Integral Emergency Back Up



**12301-4-940-L10-30, 1000lm, 30° Spot, 4000K**

System Power :12.0W  
 Test Date :6/2014  
 Beam Angle 50% :36.0°  
 Field Angle 10% :65.3°  
 Color Temperature:4000K  
 CRI :80  
 R9 Value :11.0  
 Lumens Delivered :613.73lm  
 CBCP :1178.28cd  
 Power Factor :0.94

Multipliers	
6500K	1.63
3500K	0.87
3000K	0.75
2700K	0.67
2500K	0.62
1700K	0.43
Lumen Multipliers	
1100lm	1.79
2200lm	3.58
CRI	
80CRI (Blank)	:1.0 0
90CRI (-C90)	:1.1 3
97CRI (-C97)	:1.2 1

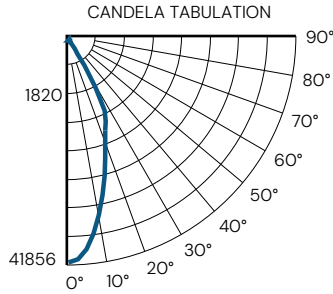


FOOTCANDLE DISTRIBUTION		
Height	Beam Diameter	FC
8'	5.3'	18.4
10'	6.6'	11.8
12'	7.9'	8.2
14'	9.2'	6.0
16'	10.5'	4.6

**12301-4-940-L14-30, 1400lm, 30° Spot, 4000K**

System Power :13.7W  
 Test Date :11/2017  
 Beam Angle 50% :39.0°  
 Field Angle 10% :67.3°  
 Color Temperature:3787K  
 CRI :84.5  
 R9 Value :25.1  
 Lumens Delivered :1231lm  
 CBCP :2285cd  
 Power Factor :0.99

Multipliers	
6500K	1.71
3500K	0.92
3000K	0.79
2700K	0.71
2500K	0.66
1700K	0.45
Lumen Multipliers	
600lm	0.49
2200lm	1.79
CRI	
80 CRI (Blank)	:0.9 5
90 CRI (-C90)	:1.0 6
97 CRI (-C97)	:1.1 5



FOOTCANDLE DISTRIBUTION		
Height	Beam Diameter	FC
8'	5.7'	35.7
10'	8.5'	15.9
12'	11.3'	8.9
14'	14.2'	5.7
16'	17.0'	4.0

## COLOR TEMPERATURE GUIDE

2700K	3000K	3500K	4000K	5000K
<b>WARM WHITE</b>	<b>SOFT WHITE GLOW</b>	<b>NEUTRAL GLOW</b>	<b>COOL WHITE GLOW</b>	<b>DAYLIGHT GLOW</b>
friendly personal intimate	soft warm pleasing	sociable inviting non-threatening	neat clean efficient	bright cool alert
HOMES LIBRARIES RESTAURANTS	HOMES HOTEL ROOMS LOBBIES RETAIL STORES	EXECUTIVE OFFICES RECEPTION AREAS SUPERMARKETS	OFFICES CLASSROOMS MASS MERCHANDISERS SHOWROOMS	GRAPHICS INDUSTRY HOSPITALS GALLERIES BEAUTY SALONS
✓	✓	✓	✓	✗

Alcon Lighting 12301-4 Architectural 4-Inch Cylinder LED Light