

FIXTURE SPECIFICATIONS

The specification grade **Silo Architectural LED 6 Inch Cylinder Direct Downlight Fixture** delivers energy efficient lighting to commercial, hospitality and residential interior lighting applications. Our modern LED Cylinder Downlights provide excellent color rendering for versatile environments.

FEATURES

Cylinder Cap Construction: High quality 0.040" steel cap with universal slots to allow for direct mounting to J-Box for surface mount. Incorporates all thread in the center for the installation of a cable or pendant rod kit for the corresponding mounting method. Three screws on the bottom of cap secure cylinder body to cylinder cap. (Adjustable with flathead screw driver).

Cylinder Body Construction: 0.040" steel cylindrical body with three keyhole slots allowing body to be installed to cylinder cap. Spring brackets accept torsion wing trim springs. Four butterfly clips also accommodated for spring-less trims.

Mounting: Cable mount includes canopy, field cuttable 3-wire cable and cylinder. Rod mount includes canopy and rod consisting of 3-12" pieces and 2-24" pieces of internally threaded rod and cylinder. Surface mount and wall mount include hardware to mount directly to J-box. Socket / Quick Connector: Socket is free floating and installs to eyeball, gimbal ring and new trims equipped with socket brackets. Protective cap included to protect socket interior during ceiling painting.

CRI: 90+

Optional External Emergency Battery: 7W external emergency battery with remote test switch offers 90 minutes of illumination.

Life: 50,000 hours @ L70

Warranty: 5 Years Carefree for Parts & Components (Labor Not Included)

Listings: cULus Listed for damp locations, cULus Listed for wet locations (Wall Mount Only), Energy Star, Assembled in the USA



Cable Mount (AC8)



Pendant Stem Mount (ST7)



Surface Mount (S)



Wall Mount (W)

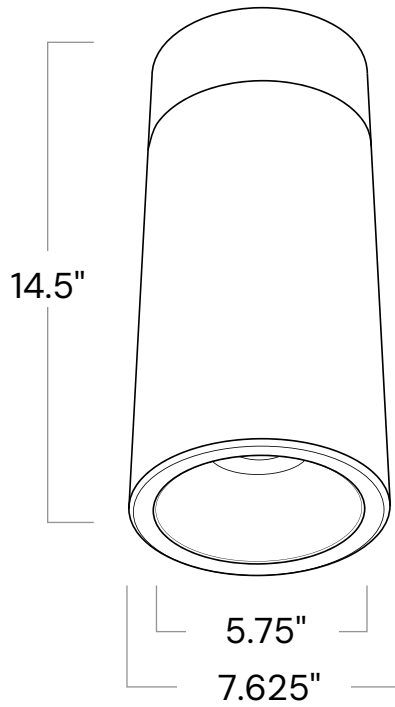


ORDERING INFORMATION Example: (12301-8-S-WH-L75-FL-830)

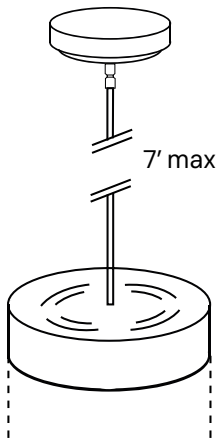
Model	Mounting	Wattage Lumens	Color Temp	Finish	Beam Spread	Dimming	Options
12306 Silo	AC8 8' Aircraft Cable Mount	11W 11 Watts 900 Lumens	27K 2700K	BK Black WH White	S 38° Spot N 56° Narrow Flood F 72° Flood	010 120-277V 0-10V 120V 120V TRIAC/ELV	EM7X 7W External Emergency Battery
	ST7¹ 7' Stem Mount	16W 16 Watts 1500 Lumens	30K 3000K				
	S Surface Mount	24W 24 Watts 2500 Lumens	35K 3500K				
	W Wall Mount	36W 36 Watts 3500 Lumens	40K 4000K				
		44W 44 Watts 4500 Lumens					
		58W 58 Watts 5500 Lumens					

¹ Not Compatible with (R-EM) Remote Emergency Back-up Battery

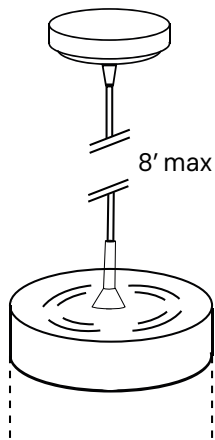
LINE DRAWINGS



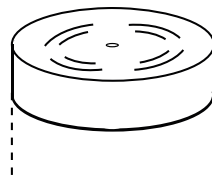
MOUNT TYPES



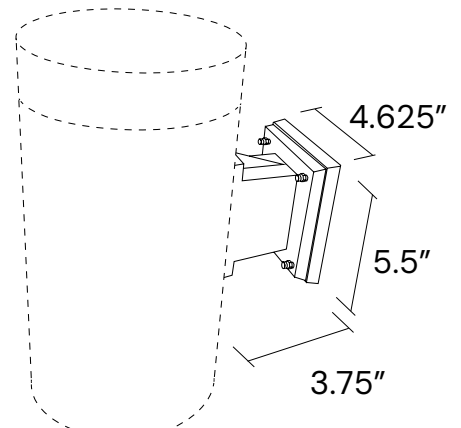
Stem
Mount



Cable
Mount



Surface
Mount



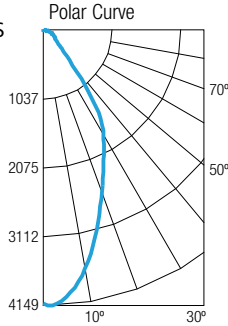
Wall
Mount

Alcon Lighting 12306 Siilo Architectural LED 6 Inch Cylinder Direct Downlight Fixture

PHOTOMETRY

Test Information

Part Number: 12306-S-46W-40K-WH-S
 Part Number: Spot
 Lumens: 3775lm
 Wattage: 43.7W
 Efficacy: 86lpw
 CCT / CRI: 4000K / 90 CRI
 Spacing Criteria (0°-180): 0.76
 Spacing Criteria (90°-270): 0.76



Illuminance at a Distance

Distance from Luminaire	FC at Nadir	Beam Diameter
6'	115fc	5'-10"
9'	51fc	8'-8"
12'	28.7fc	11'-7"
15'	18.3fc	14'-6"
18'	12.7fc	17'-5"

Zonal Lumen Summary

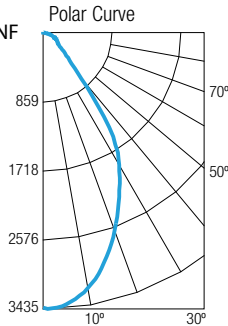
Zone	Lumens	% Luminaire
0-30	2200	58.3
0-40	2960	78.4
0-60	3450	91.4
0-90	3732	98.9
90-180	43	1.1
0-180	3775	100

Candela Table

Vertical Angles	Candela
0	4128
5	4010
15	3069
25	2125
35	1262
45	366

Test Information

Part Number: 12306-S-46W-40K-WH-NF
 Part Number: Narrow Flood
 Lumens: 3844lm
 Wattage: 43.5W
 Efficacy: 88lpw
 CCT / CRI: 4000K / 90 CRI
 Spacing Criteria (0°-180): 0.92
 Spacing Criteria (90°-270): 0.92



Illuminance at a Distance

Distance from Luminaire	FC at Nadir	Beam Diameter
6'	95fc	7'-6"
9'	42.2fc	11'-4"
12'	23.8fc	15'-1"
15'	15.2fc	18'-10"
18'	10.6fc	22'-6"

Zonal Lumen Summary

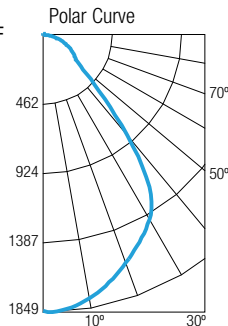
Zone	Lumens	% Luminaire
0-30	2157	56.1
0-40	2988	77.7
0-60	3526	91.7
0-90	3815	99.2
90-180	29	0.8
0-180	3844	100

Candela Table

Vertical Angles	Candela
0	3421
5	3374
15	2947
25	2226
35	1400
45	426

Test Information

Part Number: 12306-S-46W-40K-WH-F
 Part Number: Flood
 Lumens: 3127lm
 Wattage: 43.3W
 Efficacy: 72lpw
 CCT / CRI: 4000K / 90 CRI
 Spacing Criteria (0°-180): 1.16
 Spacing Criteria (90°-270): 1.16



Illuminance at a Distance

Distance from Luminaire	FC at Nadir	Beam Diameter
6'	51.3fc	9'-11"
9'	22.8fc	14'-10"
12'	12.8fc	19'-8"
15'	8.2fc	24'-8"
18'	5.7fc	29'-7"

Zonal Lumen Summary

Zone	Lumens	% Luminaire
0-30	1357	43.4
0-40	2107	67.4
0-60	2777	88.8
0-90	3104	99.3
90-180	23	0.7
0-180	3127	100

Candela Table

Vertical Angles	Candela
0	1847
5	1832
15	1710
25	1525
35	1240
45	546

0-10 V

[2100](#)
[2101](#)
[2102](#)

Diva DDTV

IP-710-DL

COLOR TEMPERATURE GUIDE

