

## FIXTURE SPECIFICATIONS

### INTENDED USE

The 4-inch LED cylinder pendant light combines durability and performance, constructed from 6061 marine-grade corrosion-resistant aluminum. The LED pendant provides a 90° beam angle and operates at 120V (60 Hz) with a 7.2W power consumption, delivering 650 lumens. The RGBW controller, managed via an iOS and Android app, offers 16 million colors and white temperatures from 2200K to 6500K, along with dimming control. This pendant light, made in America and suitable for damp locations, ensures versatile and vibrant lighting for commercial, hospitality and residential spaces. Anti-glare model available.

### FEATURES

Lead Time: Ships in: 3-7 Business Days

Lumens: 500-1000

Wattage: 7.2 Watts

Voltage: 120V

Finish: White, Black, Grey, Brushed Aluminium, Bronze, Brushed Brass

Light Color: White or RGBW

CRI: 90+

Mounting: Pendant

Light Direction: Direct Downlight

Height: 7.1"

Diameter: 4.25"

Beam Spread: 90°



PENDANT or SURFACE 4" or 6" - Static White or RGBW

Alcon 12400 Architectural LED Cylinder Commercial Light Fixture



## ORDERING INFORMATION Example: (12400-4-6-S)

Model

Size, Wattage, & Lumens

Color Temp

Finish

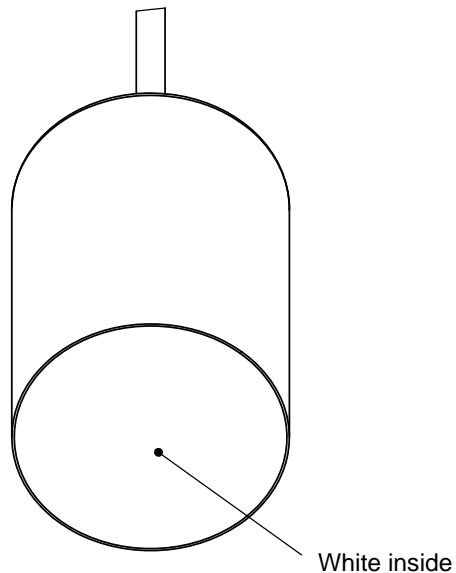
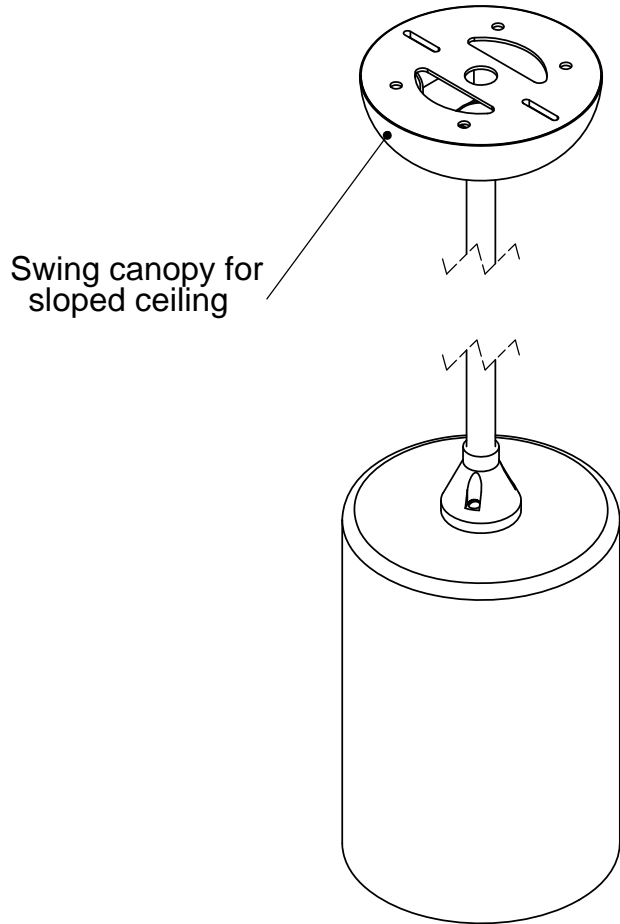
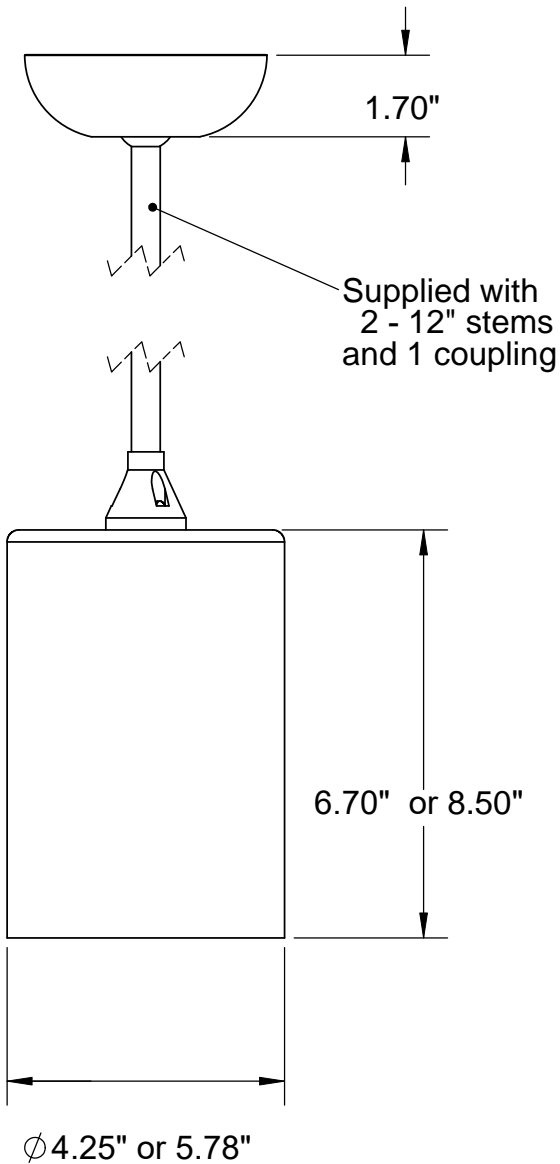
Dimming

Controls

FINISHES:

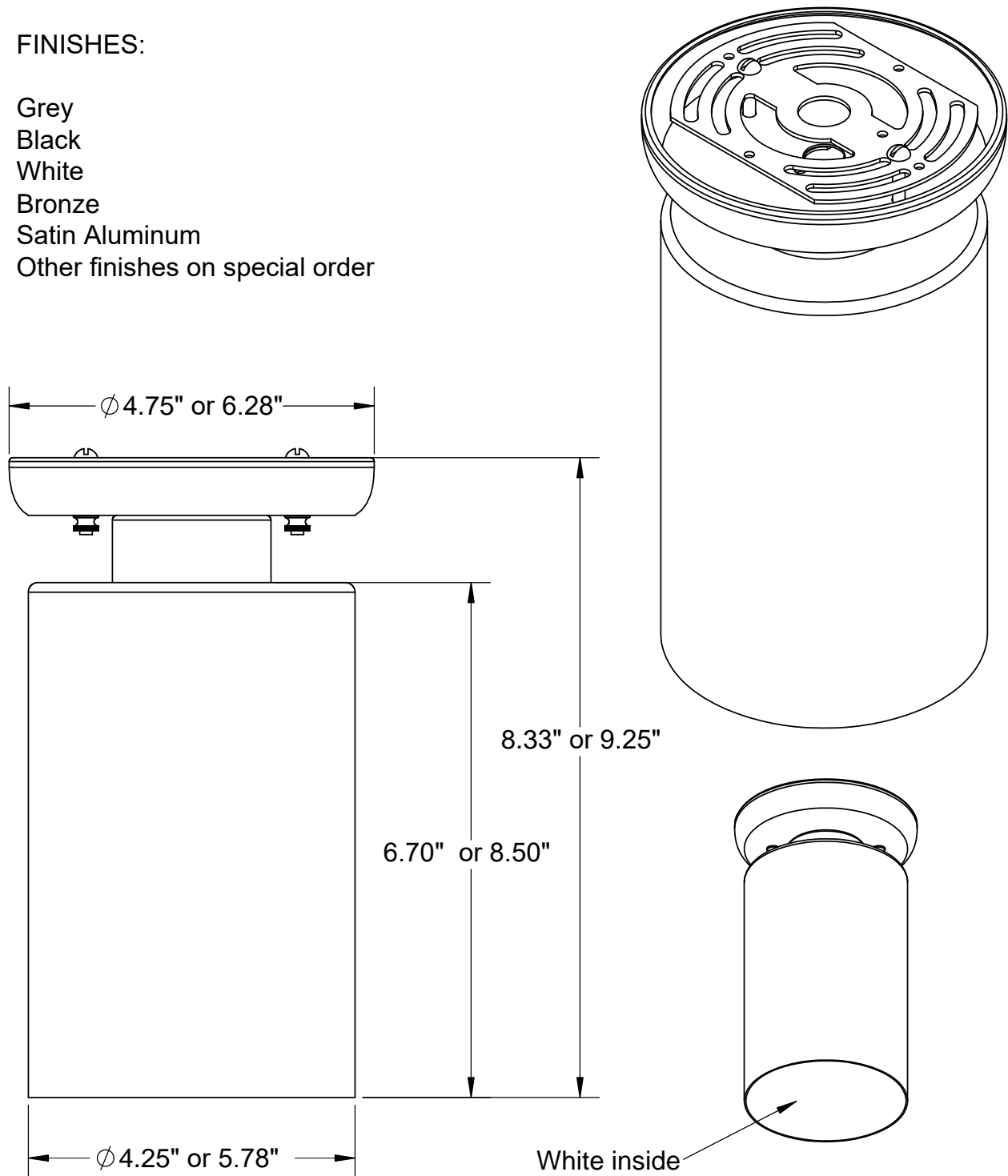
- Grey
- Black
- White
- Bronze
- Satin Aluminum
- Other finishes on special order

Use with up to 150 Watt  
Type PAR or BR lamps



FINISHES:

- Grey
- Black
- White
- Bronze
- Satin Aluminum
- Other finishes on special order



Use with PAR-30 or R-30  
Lamps to 100 watts