

## FIXTURE SPECIFICATIONS

### INTENDED USE

The specification grade Alcon Lighting 14029 Acoustical Tile Edge-Lit Grid Ceiling Linear Strip LED Light Fixture delivers clear light to commercial, hospitality and residential interiors. Our modern & stylish light designs offer excellent direct lighting, exceptional performance and versatility in offices, classrooms, conference rooms, museums, retail outlets, hotels, restaurants and more.

### FEATURES

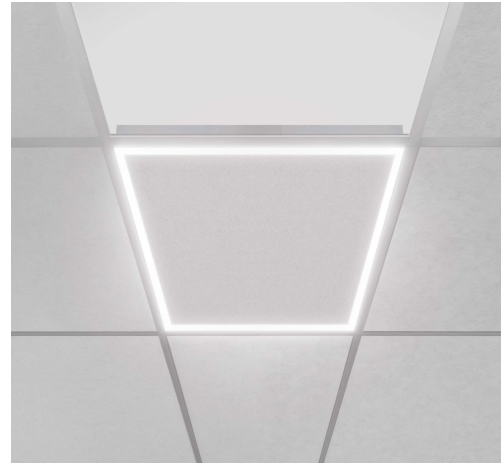
- Construction:** Aluminum Frame
- Finish:** White
- Voltage:** 120-277V
- Color Temperature Switch:** 3500K / 4000K / 5000K
- CRI:** 80+
- Dimming:** 0-10V Dimmable
- Ambient Temperature:** 14°F to 104°F
- Life:** 60,000 Hours
- Power Factor:** >0.99
- Warranty:** 5 years carefree for parts & components (labor not included)
- Listings:** cETLus listed, IP40, Suitable for damp location



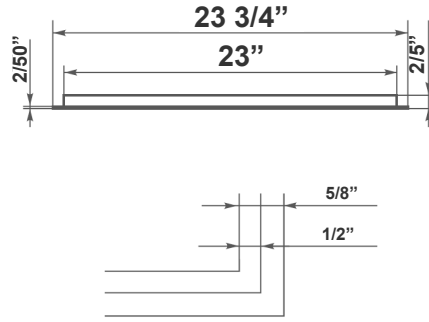
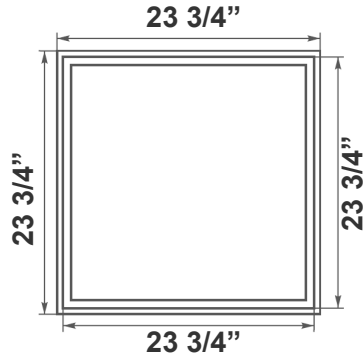
Size	Wattage	Lumen
2x2	27W / 35W / 40W	4050L / 5250L / 6000L
2x4	35W / 45W / 54W	5250L / 6750L / 8100L

## ORDERING INFORMATION Example: (14029-2)

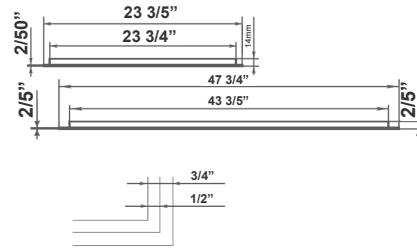
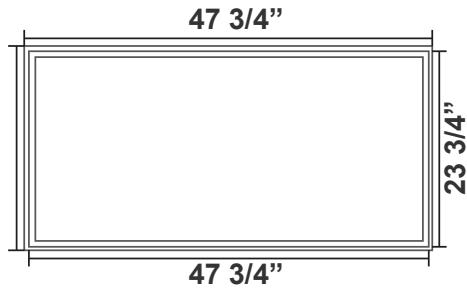
Model	Size	Options Remote
14029	2 2x2 R-EM	Emergency
	4 2x4	Back-Up Battery



Alcon 14029 Acoustical Tile Edge-Lit Grid Ceiling Linear Strip LED Light Fixture



23 3/4" (H) x 23 3/4" (W) x 5/8" (D)



47 3/4" (H) x 23 3/4" (W) x 5/8" (D)

## COLOR TEMPERATURE GUIDE

<b>2700K</b>	<b>3000K</b>	<b>3500K</b>	<b>4000K</b>	<b>5000K</b>
WARM WHITE	SOFT WHITE GLOW	NEUTRAL GLOW	COOL WHITE GLOW	DAYLIGHT GLOW
friendly personal intimate	soft warm pleasing	social inviting non-threatening	neat clean efficient	bright cool alert
HOMES LIBRARIES RESTAURANTS	HOMES HOTEL ROOMS LOBBIES RETAIL STORES	EXECUTIVE OFFICES RECEPTION AREAS SUPERMARKETS	OFFICES CLASSROOMS MASS MERCHANDISERS SHOWROOMS	GRAPHICS INDUSTRY HOSPITALS GALLERIES BEAUTY SALONS