

Project Name: \_\_\_\_\_

Type: \_\_\_\_\_ Quantity: \_\_\_\_\_

[Shop Now](#)

## FIXTURE SPECIFICATIONS

The recessed indirect troffer light is constructed with die-formed, cold-rolled steel, ensuring durability. It offers up to 100 lumens per watt efficiency with a CRI of 80+ and includes a 0-10V dimming driver for precise control. A color temperature switch offers 3000K, 3500K, and 4000K field-selectable color temperature control. Suitable for damp locations, this troffer provides versatile direct downlighting for various environments, including offices, classrooms, conference rooms, museums, retail outlets, hotels, and restaurants.

## FEATURES

**Construction:** Aluminum housing

**Finish:** White

**Voltage:** 120-277V 50/60 Hz  
Constant Current

**Color Temperature Select**

**Switch:** 300K/3500K/4000K

**Dimming:** 0-10V

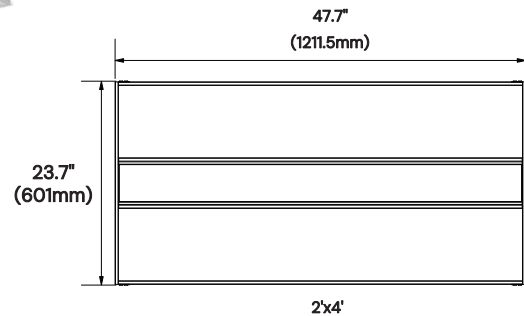
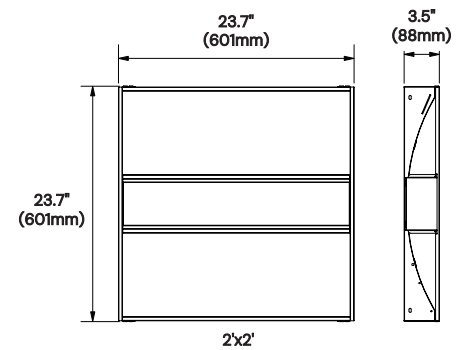
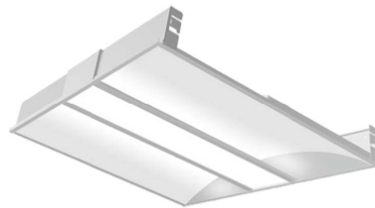
**CRI:** 80+

**Life:** 50,000 Hrs L70

**Operating Temperature:** -4°F ~ 104°F (-20°C ~ 40°C)

**Listing:** cULus, DLC

**Warranty:** 5 years warranty.



Alcon Lighting 14126 Recessed Indirect LED Troffer Light



Size	Wattage	Lumens
2' x 2'	30W, 35W, 40W	3000lms, 3500lms, 4000 lms
2' x 4'	30W, 40W, 50W	3000lms, 4000lms, 5000lms

## ORDERING INFORMATION Example: (14126-22-8EM)

Model	Size	Options
14126	22 2'x2'	<b>REM8</b> 8W Remote Emergency Battery
	24 2'x4'	<b>REM15</b> 15W Remote Emergency Battery
		<b>REM25</b> 25W Remote Emergency Batter
		<b>TB</b> T-Bar installation kit for Emergency Battery
		<b>BP</b> Bluetooth Powerpack (Consult factory for installation location)