

Project Name: _____ Type: _____ Quantity: _____

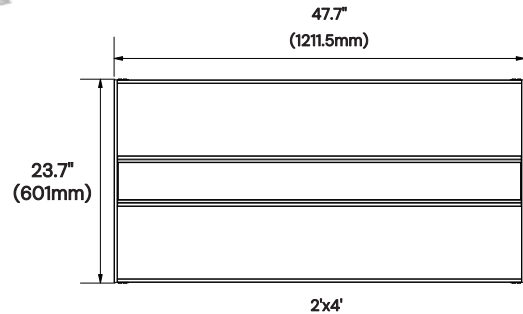
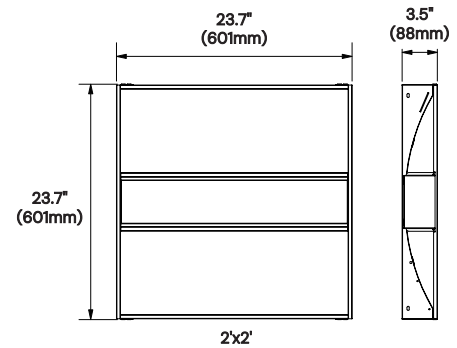
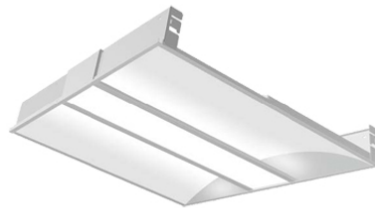
INTENDED USE

The recessed indirect troffer light is constructed with die-formed, cold-rolled steel, ensuring durability. It offers up to 100 lumens per watt efficiency with a CRI of 80+ and includes a 0-10V dimming driver for precise control. A color temperature switch offers 3000K, 3500K, and 4000K field-selectable color temperature control. Suitable for damp locations, this troffer provides versatile direct downlighting for various environments, including offices, classrooms, conference rooms, museums, retail outlets, hotels, and restaurants.



FEATURES

- Construction:** Aluminum housing
- Finish:** White
- Voltage:** 120-277V 50/60 Hz Constant Current
- Color Temperature Select Switch:** 300K/3500K/4000K
- Dimming:** 0-10V
- CRI:** 80+
- Life:** 50,000 Hrs L70
- Operating Temperature:** -4°F ~ 104°F (-20°C ~ 40°C)
- Listing:** cULus, DLC
- Warranty:** 5 years warranty.



Size	Wattage	Lumens
2' x 2'	30W, 35W, 40W	3000lms, 3500lms, 4000 lms
2' x 4'	30W, 40W, 50W	3000lms, 4000lms, 5000lms

ORDERING INFORMATION Example: (14126-22-8EM)

Model	Size	Options
14126	22 2'x2'	REM8 8W Remote Emergency Battery
	24 2'x4'	REM15 15W Remote Emergency Battery
		REM25 25W Remote Emergency Batter
		TB T-Bar installation kit for Emergency Battery
		BP Bluetooth Powerpack (Consult factory for installation location)