

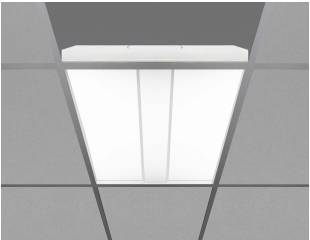
Project Name: _____ Type: _____ Quantity: _____

INTENDED USE

Designed for T-bar grid ceilings, this recessed decorative LED flat panel combines a durable aluminum housing with a sleek, powder-coated white finish, offering a modern look. The integrated LED drivers deliver over 80% efficiency, reducing energy loss and heat output, making it a sustainable lighting option. Perfect for offices, classrooms, conference rooms, museums, retail spaces, hotels, and restaurants, this panel provides versatile and efficient illumination for any setting.

FEATURES

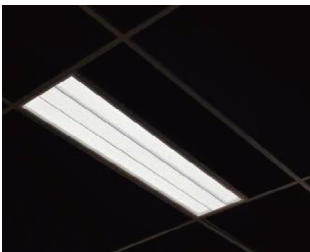
- Construction:** Extruded aluminum housing with powder coat white finish
- Wattage:** 35/30/25W (2' x 2' and 1' x 4') or 50/40/30W (2' x 4') selectable switch
- Lumens:** 110 lm/w (DLC standard)
- Driver:** 0-10V dims to 10%
- THD:** <20%
- Power Factor:** >0.9
- Emergency Battery:** Internal 90 min. w/ external test switch
- Color Temperature:** 35/40/50K selectable switch
- Light Distribution:** 100% down
- Voltage:** 110-277V
- CRI:** 80+
- Life:** 50,000 Hours
- Warranty:** 5 Years carefree for parts & components (Labor not included)
- Listings:** DLC, cULus listed for damp locations, tested to IESNA LM-79 and LM-80



2' x 2'



2' x 4'



1' x 4'

SPEC
.....
GRADE

5
YEAR
WARRANTY

CCT
SELECTABLE

WATTAGE
SELECTABLE

DLC
LISTED

DAMP

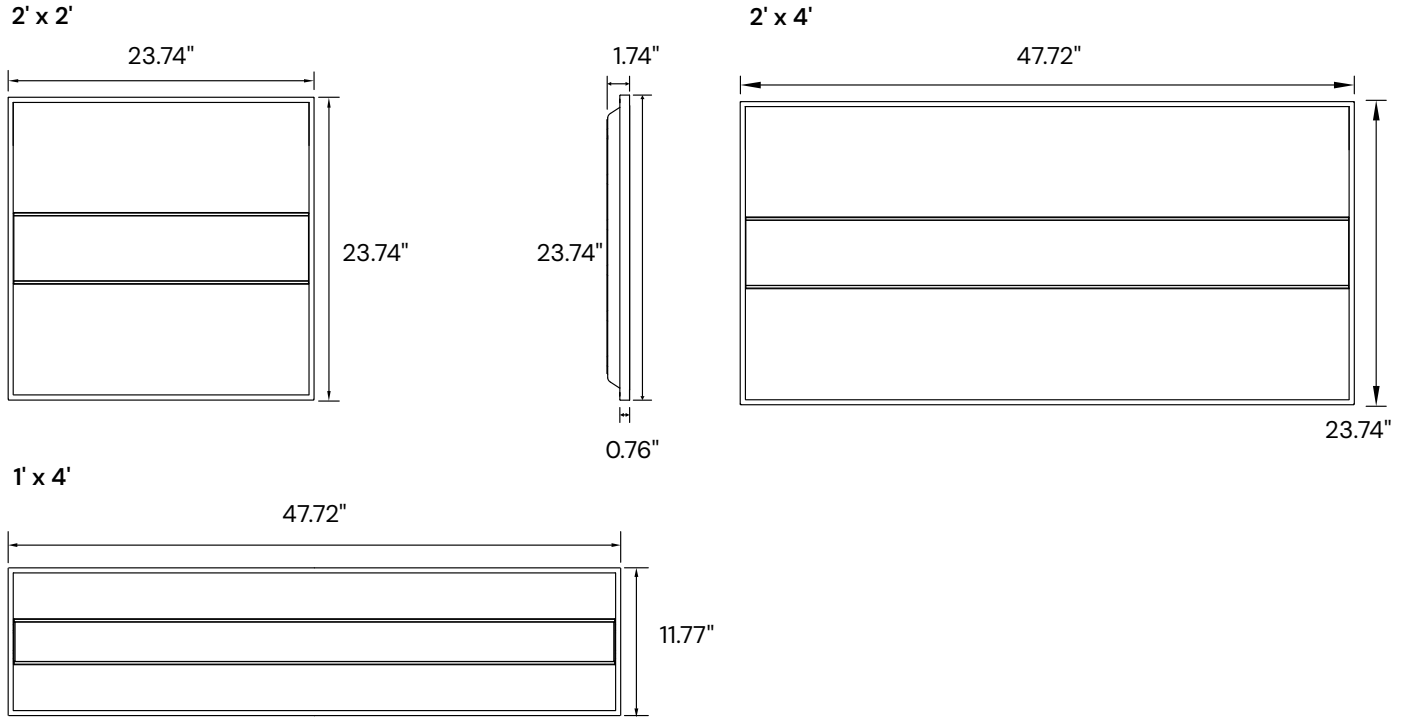
EMERGENCY
BATTERY

cULUS

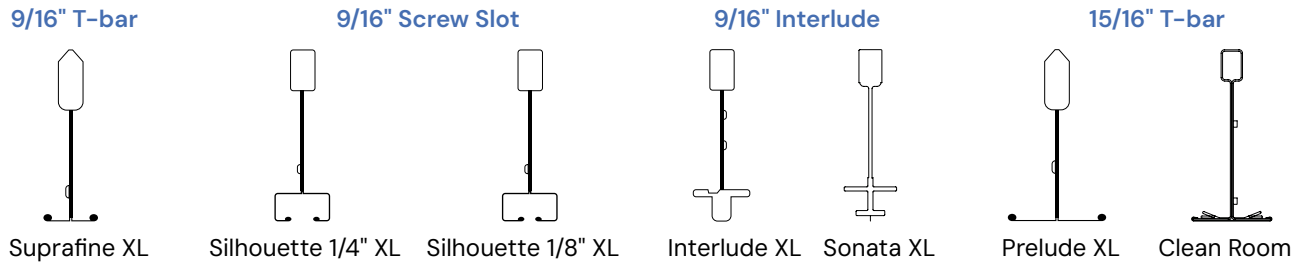
ORDERING INFORMATION Example:

Model	Size	Options
14128	22 2' x 2'	EM8 8W Internal Emergency Battery
	14 1' x 4'	
	24 2' x 4'	

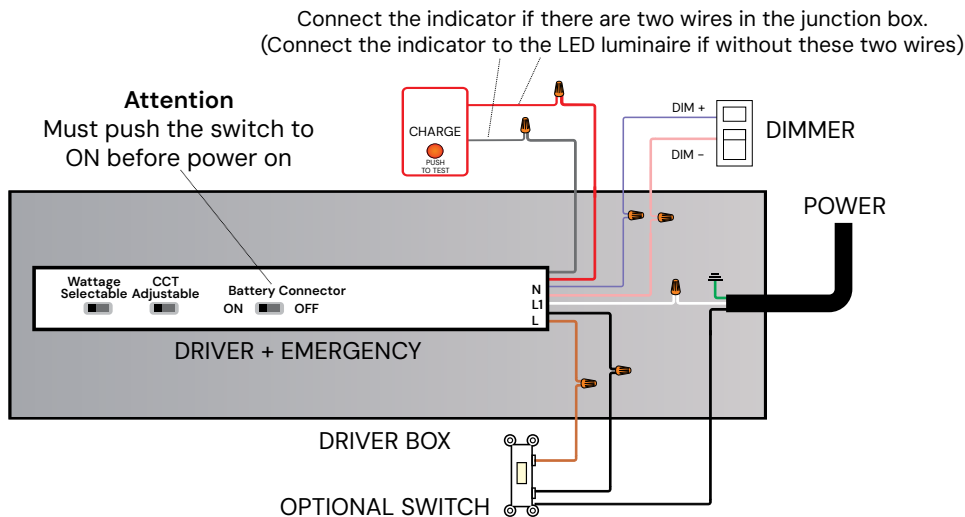
LINE DRAWINGS & DIMENSIONS



T-GRIDS CEILING COMPATIBILITY



WIRING



INTERNAL EMERGENCY BATTERY WITH EXTERNAL TEST SWITCH

Code-Required Testing Switch

First Self-Test:

The system will conduct a functional test 3 seconds after installation to verify wiring and battery output. If there is a failure or error, the indicator LED will turn off or flicker.

Second Self-Test:

A second test will occur 120 minutes later to recheck the system. If the test fails, it will automatically repeat up to 4 times, every 120 minutes.

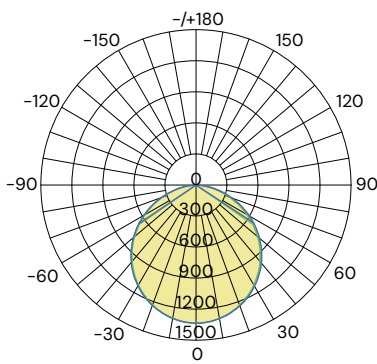
Monthly Self-Test:

The system will perform an automatic test every 30 days, lasting 3 seconds, to check wiring and battery output. In the event of a failure or error, the indicator LED will turn off or flicker.



PHOTOMETRY

2' x 2' / 3500K



AVERAGE BEAM ANGLE (50%): 111.7°

Lumens: 3747.4 Lms
 Watts: 33.80 W
 LPW: 110.86 Lm/W
 CCT: 3500K

UNIT:cd
 — CO/180, 110.8°
 — C30/270, 112.6°

Zonal Flux Diagram

T	CO	C45	C90	C135	C180
10	1308	1309	1311	1307	1306
20	1233	1236	1242	1233	1232
30	1118	1121	1132	1118	1115
40	964.2	968.6	983.4	966.3	961.9
50	777.6	785.4	802.5	783.2	777.2
60	566.6	575.9	594.9	575.0	568.6
70	344.4	354.0	372.1	354.2	346.5
80	128.7	139.2	154.9	139.9	132.6
90	0	0	0	0	0
100	0	0	0	0	0
110	0	0	0	0	0
120	1.021	0.0582	0.0031	0.0692	0.3140
130	1.326	0.1745	1.151	0.0346	0.9394
140	1.302	0	1.281	0	1.406
150	1.213	0	0.7683	0	1.452
160	0.8069	0	0.7699	0	1.452
170	1.023	0.1111	0.7715	0	1.452
180	1.196	0.1708	0.9402	0	1.452
DEG	LUMINOUS INTENSITY:cd				

Zonal Lumens

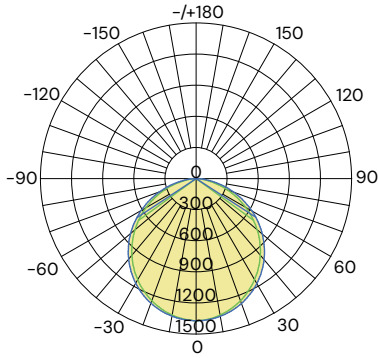
T	Φ total
0-10	126.1
10-20	486.2
20-30	1031
30-40	1686
40-50	2364
50-60	2972
60-70	3430
70-80	3686
80-90	3745
90-100	3745
100-110	3745
110-120	3745
120-130	3746
130-140	3746
140-150	3747
150-160	3747
160-170	3747
170-180	3747
	UNIT: lm

Luminance cd/(m2)

G(DEG)	CO/180	C90/270
85	4616	6897
80	7416	8919
75	8994	10072
70	10072	10875
65	10794	11451
60	11335	11895
55	11773	12229
50	12101	12481
45	12370	12675

PHOTOMETRY

1' x 4' / 3500K



AVERAGE BEAM ANGLE (50%): 110.8°

Lumens: 3786.8 Lms
 Watts: 33.72 W
 LPW: 112.30 Lm/W
 CCT: 3500K

UNIT:cd
 CO/180, 108.0°
 C30/270, 113.7°

Zonal Flux Diagram

T	CO	C45	C90	C135	C180
10	1336	1347	1348	1340	1336
20	1254	1271	1281	1261	1252
30	1127	1150	1170	1138	1126
40	963.6	989.3	1020	978.3	964.1
50	769.5	795.2	834.4	786.5	771.1
60	551.3	576.8	620.4	571.2	554.9
70	322.2	345.0	387.4	343.2	327.4
80	102.7	128.4	159.0	128.4	111.3
90	0	0.0247	0.5103	0.0435	0
100	0	0	0.5118	0	0
110	0	0	0.5112	0	0
120	0	0.3431	0	0	0
130	0	0.5709	0	0.2935	0.2782
140	0	0.7287	0	0.4054	0.4477
150	0.0863	1.378	0	0.5128	0.6047
160	0.3184	1.551	0	1.301	0.7618
170	1.149	2.584	0.0846	0.398	1.383
180	1.209	2.671	0	2.658	1.468
DEG	LUMINOUS INTENSITY:cd				

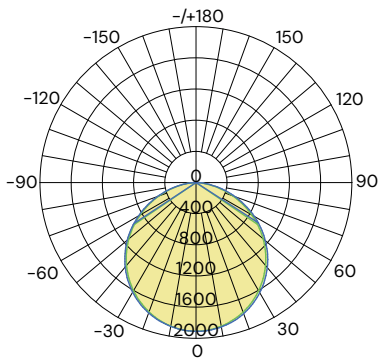
Zonal Lumens

T	φ total
0-10	129.4
10-20	498.5
20-30	1056
30-40	1724
40-50	2412
50-60	3025
60-70	3482
70-80	3729
80-90	3784
90-100	3784
100-110	3785
110-120	3785
120-130	3785
130-140	3785
140-150	3786
150-160	3786
160-170	3787
170-180	3787
UNIT: lm	

Luminance cd/(m2)

G(DEG)	CO/180	C90/270
85	4497	7271
80	5915	9158
75	8087	10431
70	9427	11330
65	10340	11958
60	11033	12412
55	11548	12744
50	11979	12985
45	12309	13172

2' x 4' / 3500K



AVERAGE BEAM ANGLE (50%): 112.5°

Lumens: 5425.2 Lms
 Watts: 48.74 W
 LPW: 111.32 Lm/W
 CCT: 3500K

UNIT:cd
 CO/180, 111.5°
 C30/270, 113.6°

Zonal Flux Diagram

T	CO	C45	C90	C135	C180
10	1871	1885	1882	1874	1870
20	1768	1790	1790	1772	1766
30	1605	1631	1635	1609	1603
40	1388	1414	1424	1393	1387
50	1123	1147	1161	1129	1124
60	821.0	840.5	860.8	829.1	824.3
70	500.1	515.0	538.1	508.5	504.0
80	185.1	205.2	225.2	204.5	198.1
90	0.0436	0.4280	1.015	0.3364	0
100	0	0.2581	0.7634	0	0
110	0.2049	0.3759	1.199	0.2440	0.2564
120	0.3209	0.4964	0	0.2991	0.4912
130	0.6043	0.4431	0	0.3249	0.9462
140	0.5623	0	0	0	1.032
150	0.5230	0	0	0	1.032
160	0.5951	0	0.1246	0	1.032
170	0.7622	0	0.1512	0.1108	1.032
180	0.6881	0	0.1698	0.1699	0.8602
DEG	LUMINOUS INTENSITY:cd				

Zonal Lumens

T	φ total
0-10	180.6
10-20	697.7
20-30	1482
30-40	2429
40-50	3410
50-60	4293
60-70	4959
70-80	5333
80-90	5423
90-100	5423
100-110	5424
110-120	5424
120-130	5425
130-140	5425
140-150	5425
150-160	5425
160-170	5425
170-180	5425
UNIT: lm	

Luminance cd/(m2)

G(DEG)	CO/180	C90/270
85	7012	10530
80	10671	12962
75	13070	14547
70	14634	15729
65	15670	16562
60	16434	17211
55	17045	17696
50	17492	18060
45	17844	18351

COMPATIBLE DIMMERS

	ALCON LIGHTING	LUTRON	LEVITON	legrand
0-10 V	2100 2101 2102	NTSTV-DV DVSTV MS-Z101	DD710 IP-710-DL	RH4FBL3PTC

COLOR TEMPERATURE GUIDE

2700K	3000K	3500K	4000K	5000K
WARM WHITE	SOFT WHITE GLOW	NEUTRAL GLOW	COOL WHITE GLOW	DAYLIGHT GLOW
friendly personal intimate	soft warm pleasing	sociable inviting non-threatening	neat clean efficient	bright cool alert
HOMES LIBRARIES RESTAURANTS	HOMES HOTEL ROOMS LOBBIES RETAIL STORES	EXECUTIVE OFFICES RECEPTION AREAS SUPERMARKETS	OFFICES CLASSROOMS MASS MERCHANTISERS SHOWROOMS	GRAPHICS INDUSTRY HOSPITALS GALLERIES BEAUTY SALONS
X	X	✓	✓	✓