

Project Name: _____ Type: _____ Quantity: _____

[Shop Now](#)

FIXTURE SPECIFICATIONS

INTENDED USE

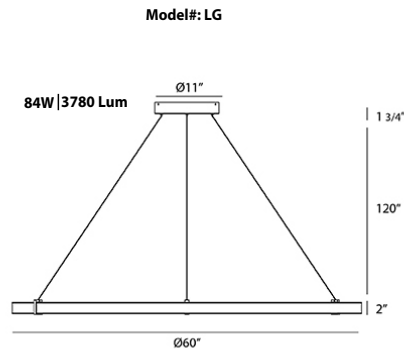
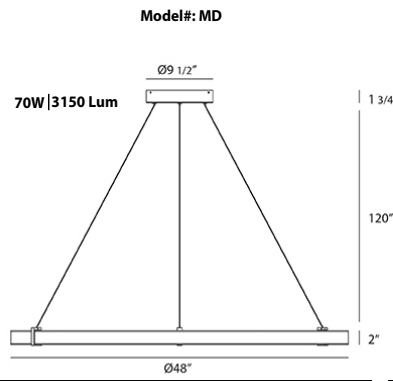
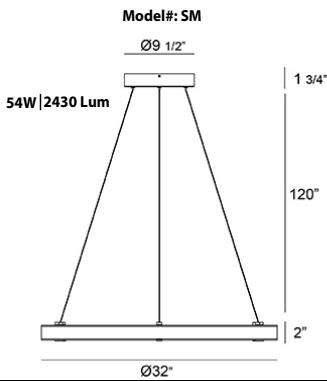
Gain easy and interchangeable positioning and switching of lighting fixtures for a custom arrangement with this halo LED ring pendant light series, which lets you guide downlighting fixtures into place on an exterior rounded lighting system. The architectural-grade, curved system functions on both sides of the light fixture.

DETAILS

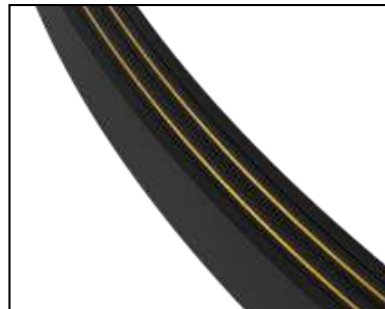
- Construction:** Black aluminum body
- Suspension length:** 120" aircraft cable
- Lens:** White frosted acrylic
- Components:** Maximum combined wattage is 70 watts
- CRI:** 90+
- Voltage:** 1
- Dimming:** TRIAC
- Finish:** Matte Black
- Color Temperature:** 3000K
(Residential, Hospitality, Retail)
- Warranty:** 5 Years Carefree for Parts & Components
(Labor Not Included)
- Listings:** cETLus, Title 24 (Round fixture only)



Alcon 15120 Exterior Rounded Pendant LED Lighting System



Accessories slide in and lock in place



Slide accessories fluidly on copper rail



Works on both sides of the light fixture

ATTACHMENT INFORMATION

Model#	Attachments	Size	Wattage Lumens
GB	<p>6W Glowbar</p> <ul style="list-style-type: none"> Cylindrical body for full 360° illumination Diffused light Adjustable head <p>Dimensions ø1.25" x 8"H</p>	<p>SIDE VIEW 100°</p> <p>FRONT VIEW 240°</p>	6 Watts 370 Lumens
FD	<p>10W Fixed Downlight</p> <ul style="list-style-type: none"> Diffused light Beam Angle: 160° <p>Dimensions ø1.25" x 8"H</p>	<p>SIDE VIEW</p> <p>FRONT VIEW</p>	10 Watts 480 Lumens
AS8	<p>8W Adjustable Spotlight</p> <ul style="list-style-type: none"> Adjustable head Beam Angle: 50° <p>Dimensions ø2" x 4.5"H</p>	<p>SIDE VIEW 110°</p> <p>FRONT VIEW 240°</p>	8 Watts 650 Lumens
AS13	<p>13W Adjustable Spotlight</p> <ul style="list-style-type: none"> Adjustable head Beam Angle: 40° <p>Dimensions ø2.5" x 5.5"H</p>	<p>SIDE VIEW 120°</p> <p>FRONT VIEW 240°</p>	13 Watts 990 Lumens

Alcon 15120 Exterior Rounded Pendant LED Lighting System

ORDERING INFORMATION Example: (15120-SM / 2 / 2 / 4)

Model Size Glowbar Qty¹ Fixed Downlight Qty¹ 8W Adjustable Spotlight Qty¹ 13W Adjustable Spotlight Qty¹

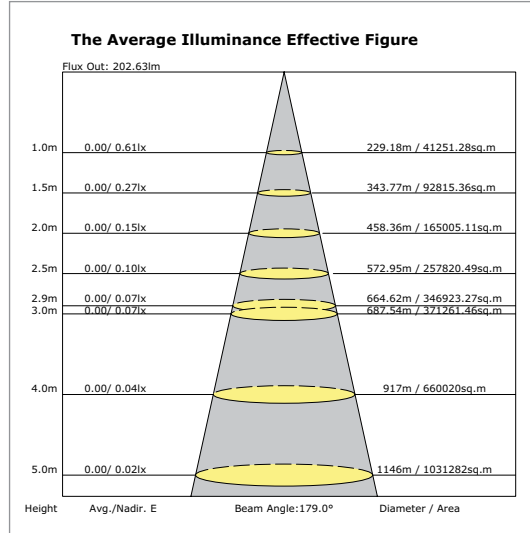
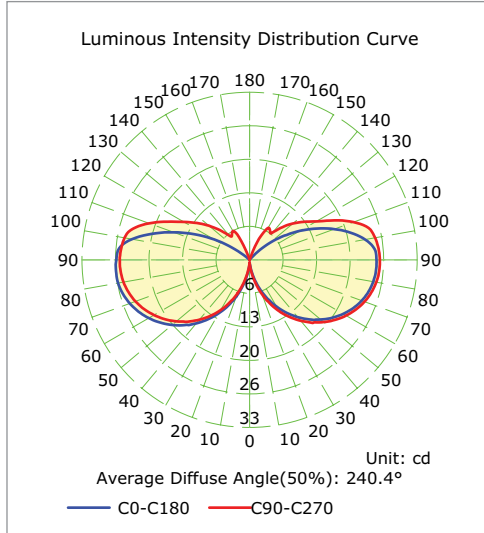
_____ / _____ / _____ / _____

¹ Maximum combined wattage is 70 watts

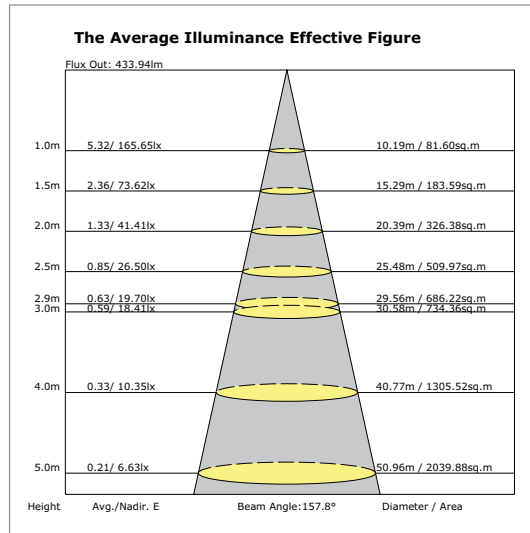
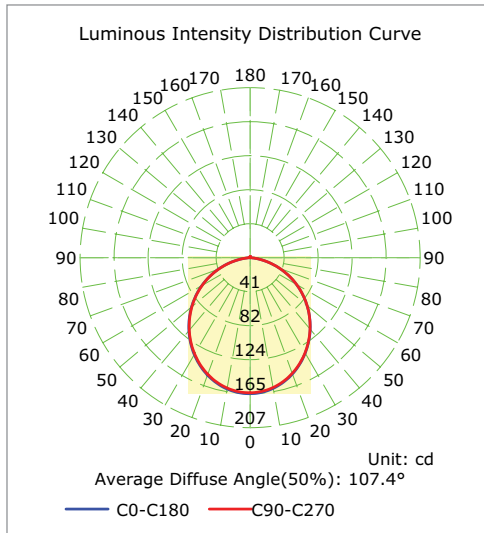
PHOTOMETRICS



6W GLOW BAR



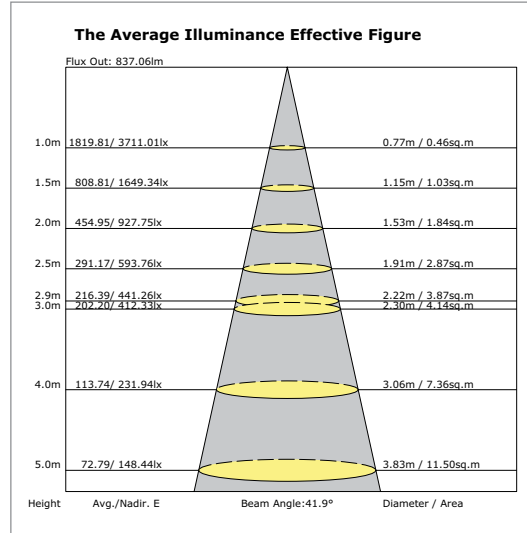
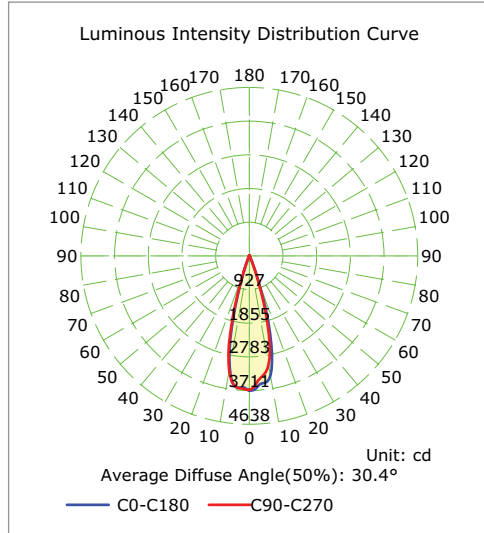
10W FIXED DOWN LIGHT



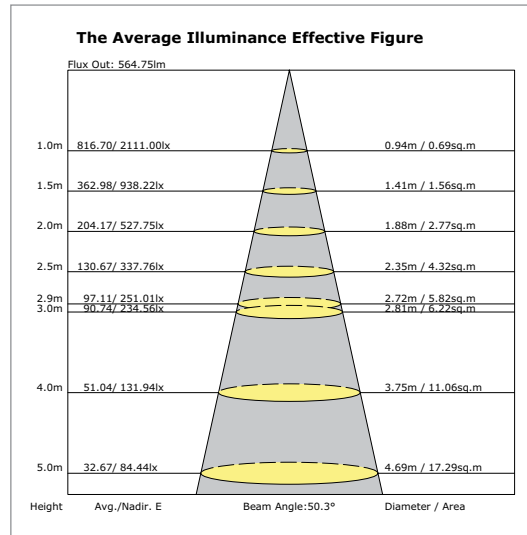
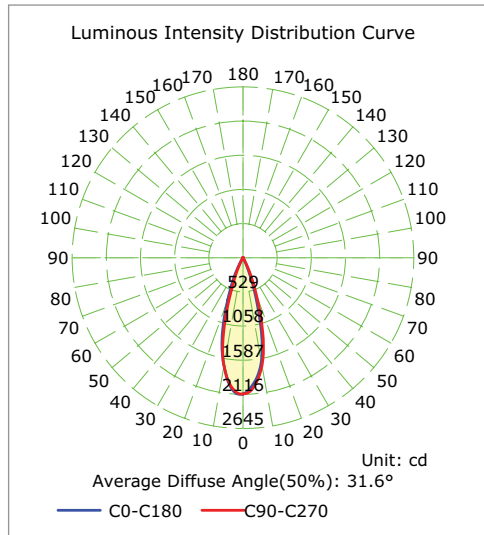
PHOTOMETRICS



13W ADJUSTABLE SPOT LIGHT



8W ADJUSTABLE SPOT LIGHT



COMPATIBLE DIMMERS

Manufacturer	Dimmer SKUs
	Skylark SELV-300P Caseta PD-6WCL Maestro MACL-153M Diva DVCL-153P Skylark CTCL-153PDH Toggler TGCL-153PDH