

## FIXTURE SPECIFICATIONS

### INTENDED USE

Our aluminum remote-controlled RGBW color-changing LED well light features a clear glass lens to maximize light and protect from environmental hazards. Designed to provide even and bright illumination across wide areas for shopping mall, hotel and landscaped exteriors, this is an innovative solution for residential as well as commercial color-changing applications.

### DETAILS

**Dia** 3.74" x H 5.50"

**Construction:** Aluminum Housing, Stainless Steel Cover, PVC Sleeve

**Lens:** Clear glass lens

**Wiring:** 5" SJTW 20AWG Lead Wire

**Color Temperature:** RGBW + 3000K

**Lumen:** 620 Lumens

**Voltage:** 12VAC/DC. Voltage Drop may occur at distances greater than 20 Feet.

**Wattage:** 10W

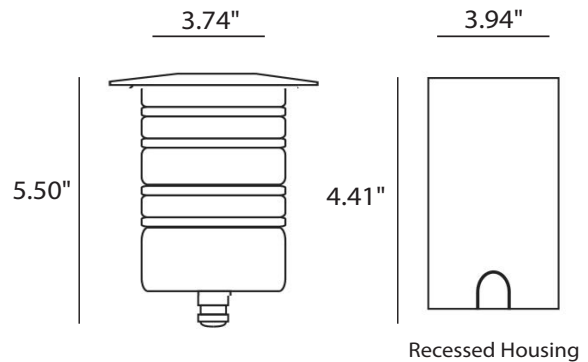
**Beam Spread:** 90°

**Life:** 50,000 Hours

**Operating Temperature:** -20°F ~ 110°F

**Traffic Rated:** Drive-over rated for normal passenger vehicles **Remote Control:** IR remote control with on and off switch. Wireless IR Remote can control multiple lights from 10 feet away. **Life:** 50,000 Hours

**Listing:** Wet-location rated, IP67



Alcon Lighting 9033 Outdoor Remote-Controlled RGBW Color-Changing LED Light



## ORDERING INFORMATION: Example: (9033-WC)

Model	Options
9033	WC Wireless Controller

## WIRELESS CONTROLLER



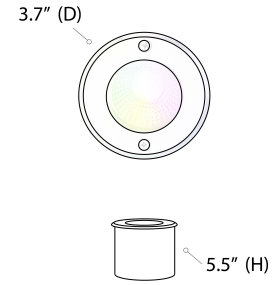
12-24 VDC Wireless Controller. Supports 192W Max.

## 9033 - FRONT VIEW



Semi-flush application up-directional light fixture with color changing capabilities.

## LINE WORK DIMENSIONS



3.7" exterior diameter with a 5.5" high housing.

## 12V WATERPROOF ELECTRONIC LED DRIVER

Suitable for LED strips, outdoor signage, landscape lighting, and other low-voltage 12V LED applications

## SPECIFICATIONS

**Input Voltage:** 90-145VAC **Input AMP:** 3.2A Max.  
**Output Voltage:** 12VDC  
**Output AMP:** 16.5A Max.  
**Wattage:** 200W Max.  
**Dimming:** Non-Dimmable driver  
**IP Rating:** IP67 Outdoor Use 3ft. Power cable Two 8" Output Low-Voltage Cables

