

## FIXTURE SPECIFICATIONS

With an open face cover to maximize light output and a lens in tempered glass to protect from environmental and oceanfront hazards, the well light's ideal for most locations, soil and concrete. Our 10-inch marine-grade LED light installs in the ground.



## ADDITIONAL FEATURES

**Dia 9.56" x W 9.56" x H 13" Construction:**

Corrosion Resistant Fiberglass

**Installation:** Rated for In-Ground Soil and Concrete Applications

**Lens:** Clear, Heat Resistant, Tempered Glass

**Finish:** Bronze

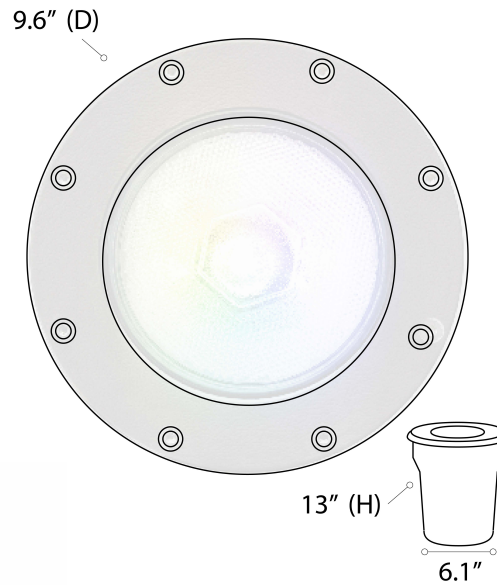
**RGBW Controller:** Bluetooth via Smart Life – Smart Living mobile app (available for iOS and Android devices)

**CRI:** 80+

**Life:** 35,000 Hours

**Listing:** ETL Approved for Wet Location

**Warranty:** 1 year



Alcon Lighting 9100 10-Inch In-Ground LED Well Light



## ORDERING INFORMATION Example: (9100-RGBW)

Model	Lamp Type	Color Temp
9100	RGBW   15W   1300 lms   120° Beam Spread   120V	(Blank) RGB + W (27-64K)
W-25	White   12.5W   1200 lms   25° Beam Spread   120-277V	27K 2700K
W-40	White   12.5W   1200 lms   40° Beam Spread   120-277V	30K 3000K
		40K 4000K
		50K 5000K