

FIXTURE SPECIFICATIONS

INTENDED USE

This marine-grade, fiberglass LED well lighting with maximized light output includes a lens made of tempered glass to guard against natural including water-based damage. Our 10-inch light installs in most locations, soil and concrete.

DETAILS

Dia 9.63" x **W** 9.63" x **H** 13.75"

Construction: Corrosion Resistant
Fiberglass

Installation: Rated for In-Ground Soil
and Concrete Applications

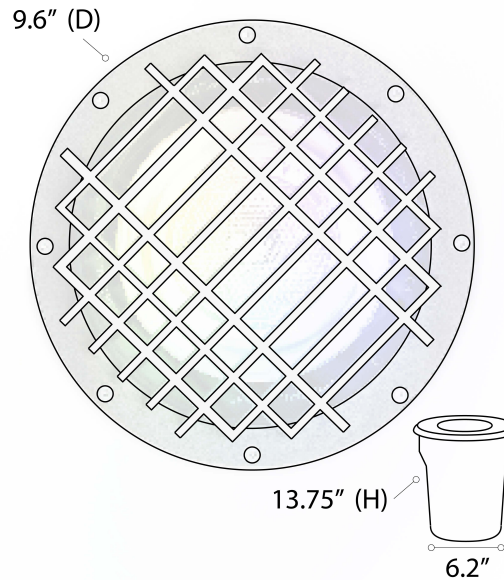
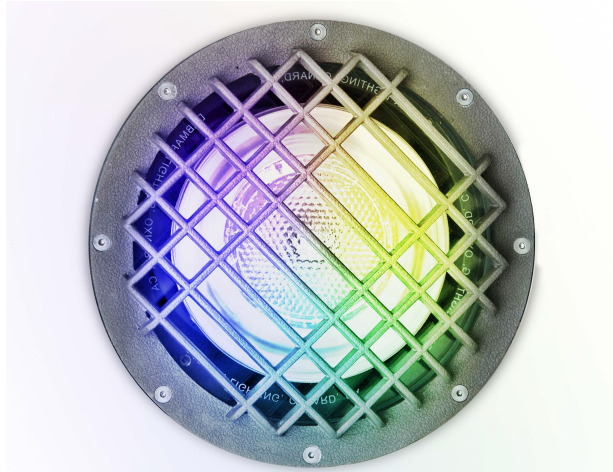
Lens: Clear, Heat Resistant, Tempered
Glass

Finish: Bronze

CRI: 80+

Life: 35,000 Hours

Listing: ETL Approved for Wet
Location



Alcon 9101 10-Inch In-Ground LED Well Light



ORDERING INFORMATION Example: (9101-RGBW)

Model	Lamp Type	Color Temp
9101	RGBW 15W 1300 lms 120° Beam Spread 120V	(Blank) RGB + W (27-64K)
W-25	White 12.5W 1200 lms 25° Beam Spread 120-277V	27K 2700K
W-40	White 12.5W 1200 lms 40° Beam Spread 120-277V	30K 3000K
		40K 4000K
		50K 5000K