

SMA Pendant Mounting Adapter

Drawing Number: IN1022_SMA

WARNING

RISK OF FIRE AND ELECTRIC SHOCK. THIS PRODUCT IS TO BE INSTALLED BY A QUALIFIED ELECTRICIAN ONLY.

PARTS CHECKLIST

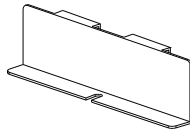
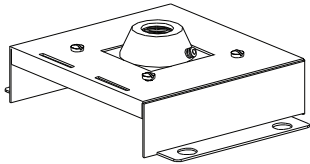
• Pendant Mounting Adapter Box **x1**

• Pendant Mounting Adapter Lid **x1**

• Sheet Metal Screw **x1**

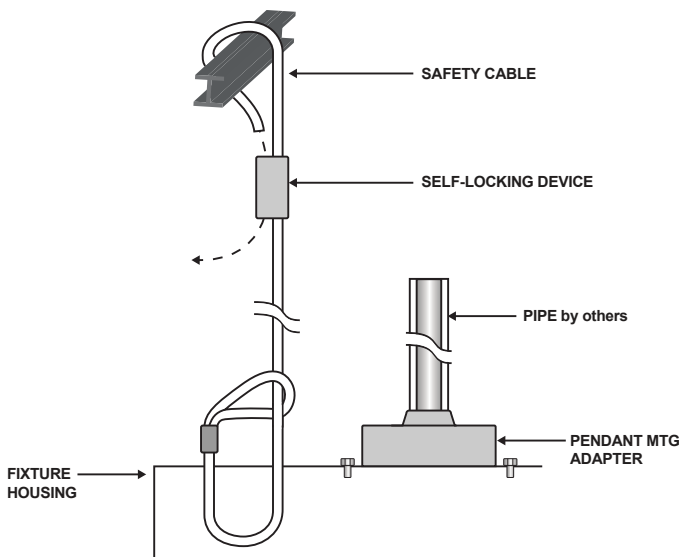
• 3/8-16 Bolt **x4**

• Safety Cable with Self-Locking Device **x1**

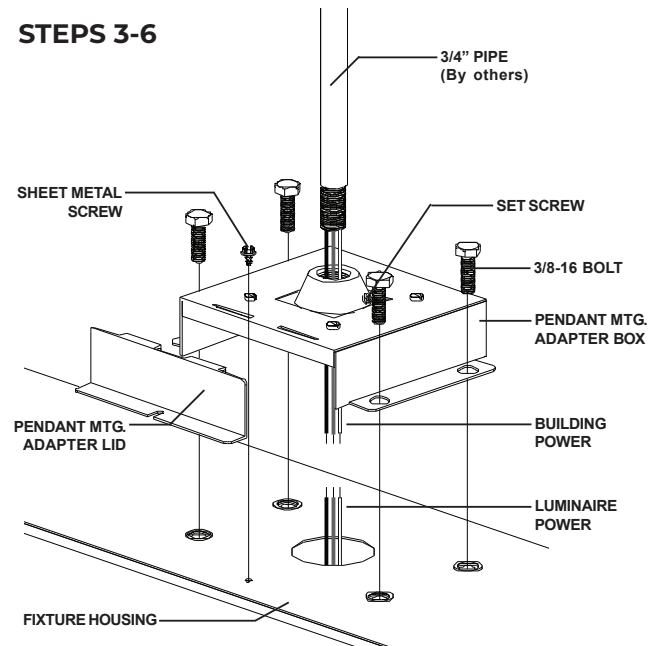


INSTALLATION INSTRUCTIONS

STEPS 1-2



STEPS 3-6



STEP 1

Attach the SAFETY CABLE to the luminaire by pushing the free end of the cable into one hole on the housing and out the other, then through the loop on the other end of the cable.

STEP 2

Attach the SAFETY CABLE to the building structure by pushing the free end of the cable through the SELF-LOCKING DEVICE, then looping it around a beam or other secure element of the building's structure, and back through the SELF-LOCKING DEVICE.

STEP 3

Install PENDANT MTG. ADAPTER BOX to the existing 3/4" PIPE, and tighten the SET SCREW.

STEP 4

Secure FIXTURE HOUSING to the PENDANT MTG. ADAPTER BOX using provided four 3/8-16 BOLTS.

STEP 5

Following National Electric Code and applicable local codes, make all necessary electrical connections between luminaire and building power.

STEP 6

Install PENDANT MTG. ADAPTER LID, using provided sheet metal screw to secure the LID to the FIXTURE HOUSING