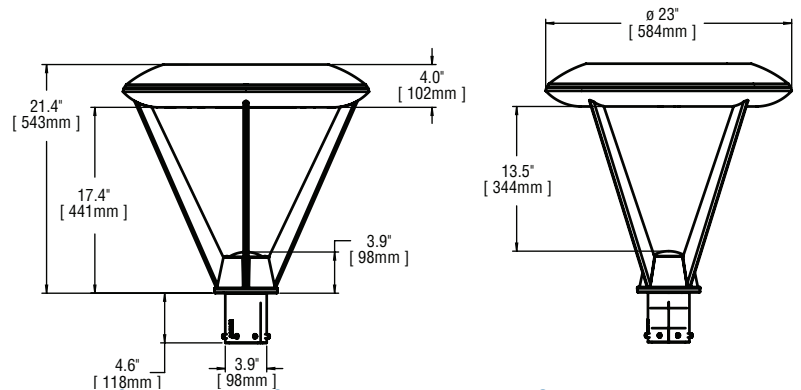


ARE-EDR-3M-R3 THE EDGE® LED Round Area Light – Type III Medium Rev. Date: 9/16/11



Notes:

| Product | Family | Optic | Mounting | # of LEDs (x 10) | LED Series | Voltage | Color Options | Drive Current | Factory-Installed Options |
|---------|--------|-------------------------------------|-----------------|--|------------|--|--|---|---|
| | | | | | | | | | Please type additional options in manually on the lines provided above. |
| ARE | EDR | 3M ¹ 3MB ² | R3 ³ | 04 ⁴ 06 ⁴ 08 ⁴ 10 ⁴ 12 | D | UL Universal 120-277V UH Universal 347-480V | SV Silver BK Black BZ Bronze PB Platinum Bronze WH White | 350 350mA 525 525mA 700 ⁵ 700mA | 43K 4300K Color Temperature ⁶ DIM 0-10V Dimming ^{7,8} F Fuse ^{9,10,11} HL Hi/Low (175/350/525, dual circuit input) ¹² P Photocell ^{10,11} TL Two-Level (175/525 w/ integrated sensor control) ¹² TL2 Two-Level (0/350 w/ integrated sensor control) ¹² TL3 Two-Level (0/525 w/ integrated sensor control) ¹² |

Footnotes

- IESNA Type III Medium distribution
- IESNA Type III Medium distribution with backlight control
- Spider mount, center tenon; hub slip-fits over a 2-3/8 to 3" (76.2mm) steel or aluminum tenon or pole
- Consists of multiple 20 LED light bars. 40, 60, 80, and 100 LED units use blanks as needed in place of populated light bars
- Available on fixtures with with 40-60 LEDs
- Color temperature per fixture; minimum 70 CRI
- Control by others
- Refer to dimming spec sheet for availability and additional information
- When code dictates fusing use time delay fuse
- Not available when UH voltage is selected
- Not available with all multi-level options. Refer to multi-level spec sheet for availability and additional information.
- Refer to multi-level spec sheet for availability and additional information
- Recommended maximum pole height is 10' (3m); consult factory for pole heights greater than 10' (3m)

LED PERFORMANCE SPECS

| # of LEDs | Initial Delivered Lumens – Type III Medium @ 6000K | | | Initial Delivered Lumens – Type III Medium w/ backlight control @ 6000K | | | Initial Delivered Lumens – Type III Medium @ 4300K | | | Initial Delivered Lumens – Type III Medium w/ backlight control @ 4300K | | | System Watts 120-480V | Total Current @ 120V | Total Current @ 240V | Total Current @ 277V | Total Current @ 347V | Total Current @ 480V | L ₇₀ Hours* @ 25° C (77° F) | 50K Hours Lumen Maintenance Factor* @ 15° C (59° F) | | | | |
|---|--|---|---|---|-------------|---|--|---|-------------|---|---|---|-----------------------|----------------------|----------------------|----------------------|----------------------|----------------------|--|---|----------|----------|----------|----------|
| | B | U | G | B | U | G | B | U | G | B | U | G | | | | | | | | | Rating** | Rating** | Rating** | Rating** |
| 350mA Fixture Operating at 25° C (77° F) | | | | | | | | | | | | | | | | | | | | | | | | |
| 40 ⁴ | 3,628 (04) | 1 | 1 | 1 | 2,683 (04) | 1 | 1 | 1 | 3,343 (04) | 1 | 1 | 1 | 2,473 (04) | 0 | 1 | 1 | 47 | 0.40 | 0.21 | 0.19 | 0.15 | 0.12 | >150,000 | 93% |
| 60 ⁴ | 5,371 (06) | 2 | 2 | 2 | 3,973 (06) | 1 | 2 | 1 | 4,950 (06) | 2 | 2 | 2 | 3,662 (06) | 1 | 2 | 1 | 68 | 0.58 | 0.30 | 0.26 | 0.20 | 0.16 | >150,000 | |
| 80 ⁴ | 7,161 (08) | 2 | 2 | 2 | 5,298 (08) | 1 | 2 | 2 | 6,600 (08) | 2 | 2 | 2 | 4,882 (08) | 1 | 2 | 1 | 90 | 0.77 | 0.38 | 0.34 | 0.26 | 0.20 | >150,000 | |
| 100 ⁴ | 8,929 (10) | 3 | 3 | 3 | 6,605 (10) | 1 | 3 | 2 | 8,230 (10) | 2 | 2 | 2 | 6,088 (10) | 1 | 2 | 2 | 111 | 0.95 | 0.47 | 0.42 | 0.32 | 0.24 | >150,000 | |
| 120 | 10,715 (12) | 3 | 3 | 3 | 7,926 (12) | 1 | 3 | 2 | 9,876 (12) | 3 | 3 | 3 | 7,305 (12) | 1 | 3 | 2 | 132 | 1.15 | 0.56 | 0.50 | 0.38 | 0.28 | >150,000 | |
| 525mA Fixture Operating at 25° C (77° F) | | | | | | | | | | | | | | | | | | | | | | | | |
| 40 ⁴ | 5,079 (04) | 2 | 2 | 2 | 3,757 (04) | 1 | 2 | 1 | 4,681 (04) | 2 | 2 | 2 | 3,462 (04) | 1 | 2 | 1 | 70 | 0.57 | 0.29 | 0.26 | 0.21 | 0.16 | 136,000 | 92% |
| 60 ⁴ | 7,520 (06) | 2 | 2 | 2 | 5,562 (06) | 1 | 2 | 2 | 6,930 (06) | 2 | 2 | 2 | 5,127 (06) | 1 | 2 | 1 | 102 | 0.87 | 0.44 | 0.39 | 0.30 | 0.22 | 129,000 | |
| 80 ⁴ | 10,026 (08) | 3 | 3 | 3 | 7,417 (08) | 1 | 3 | 2 | 9,240 (08) | 3 | 3 | 3 | 6,835 (08) | 1 | 3 | 2 | 133 | 1.14 | 0.56 | 0.49 | 0.39 | 0.29 | 129,000 | |
| 100 ⁴ | 12,501 (10) | 3 | 3 | 3 | 9,247 (10) | 1 | 3 | 2 | 11,521 (10) | 3 | 3 | 3 | 8,523 (10) | 1 | 3 | 2 | 172 | 1.47 | 0.75 | 0.67 | 0.51 | 0.38 | 128,000 | |
| 120 | 15,001 (12) | 3 | 3 | 3 | 11,097 (12) | 1 | 3 | 2 | 13,826 (12) | 3 | 3 | 3 | 10,227 (12) | 1 | 3 | 2 | 204 | 1.76 | 0.88 | 0.78 | 0.60 | 0.44 | 128,000 | |
| 700mA Fixture Operating at 25° C (77° F) | | | | | | | | | | | | | | | | | | | | | | | | |
| 40 ⁴ | 6,203 (04) | 2 | 2 | 2 | 4,562 (04) | 1 | 2 | 1 | 5,717 (04) | 2 | 2 | 2 | 4,204 (04) | 1 | 2 | 1 | 93 | 0.79 | 0.40 | 0.35 | 0.27 | 0.20 | 111,000 | 90% |
| 60 ⁴ | 9,185 (06) | 3 | 3 | 3 | 6,754 (06) | 1 | 3 | 2 | 8,465 (06) | 2 | 3 | 2 | 6,225 (06) | 1 | 2 | 2 | 137 | 1.18 | 0.59 | 0.51 | 0.39 | 0.29 | 111,000 | |

* For recommended lumen maintenance factor data see TD-13 ** For more information on the IES BUG (Backlight-Uplight-Glare) Rating visit www.iesna.org/PDF/Erratas/TM-15-07BugRatingsAddendum.pdf



General Description

Slim, low profile design minimizes wind load requirements. Fixture sides are rugged cast aluminum with integral, weather-tight LED driver compartments, spun aluminum vented cover and high performance aluminum heatsinks. Post top mounting consists of precision machined, extruded aluminum arms (4) mounted to weather tight cast lower hub with center tenon adaptor and is designed to slip-fit over a 2-3/8 to 3" (76mm) (O.D. steel or aluminum tenon or pole. Secures to tenon with eight set screws. Five year limited warranty on fixture.

Electrical

Modular design accommodates varied lighting output from high power, white, 6000K (+/- 500K per full fixture), minimum 70 CRI, long life LED sources. Optional 4300K (+/- 300K per full fixture) also available. 120–277V 50/60 Hz, Class 1 LED drivers are standard. 347–480V 50/60 Hz driver is optional. LED drivers have power factor >90% and THD <20% of full load. Units provided with integral 10kV surge suppression protection standard. Integral weather-tight electrical box with terminal strips (12Ga - 20Ga) for easy power hook-up. Surge protection tested in accordance with IEEE/ANSI standard 62.41.2.

Testing & Compliance

UL listed in the U.S. and Canada for wet locations and enclosure rated IP66 per IEC 60529 when ordered without P or R options. Consult factory for CE Certified products. Dark Sky Friendly. IDA Approved. RoHS Compliant.



Finish

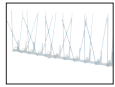
Exclusive Colorfast DeltaGuard® finish features an E-Coat epoxy primer with an ultra-durable silver powder topcoat, providing excellent resistance to corrosion, ultraviolet degradation and abrasion. Bronze, black, white and platinum bronze powder topcoats are also available. The finish is covered by our 10 year limited warranty.

Fixture and finish are endurance tested to withstand 5,000 hours of elevated ambient salt fog conditions as defined in ASTM Standard B 117.

Patents

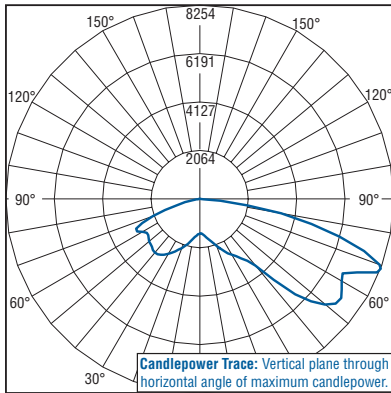
U.S. and international patents granted and pending. BetaLED is a division of Ruud Lighting, Inc. For a listing of Ruud Lighting, Inc. patents, visit www.uspto.gov.

Field-Installed Accessories

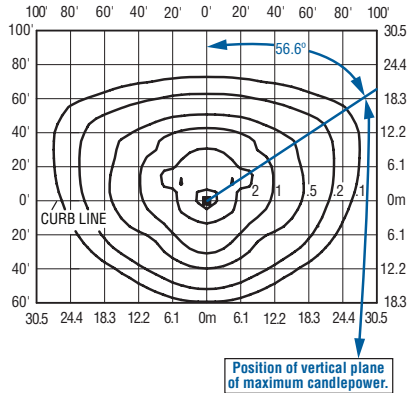


Bird Spikes
XA-BRDSPK

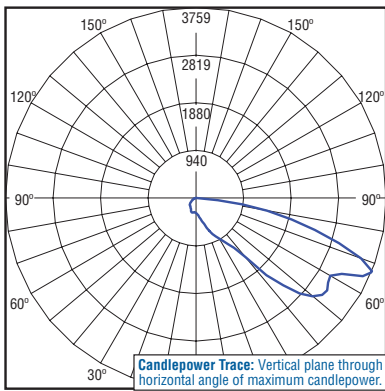
Photometrics



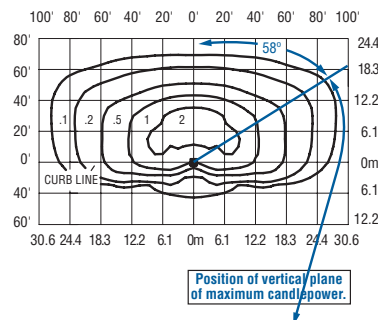
Independent Testing Laboratories certified test. Report No. ITL67871. Candlepower trace of 4300K, 160 LED Type III Medium area luminaire with 18,862 initial delivered lumens operating at 525mA. All published luminaire photometric testing performed to IESNA LM-79-08 standards.



Isofootcandle plot of 4300K, 120 LED Type III Medium area luminaire at 25' (7.6m) A.F.G. Luminaire with 13,826 initial delivered lumens operating at 525mA. Initial FC at grade.



Independent Testing Laboratories certified test. Report No. ITL68539. Candlepower trace of 4300K, 40 LED Type III Medium w/ backlight control area luminaire with 5,084 initial delivered lumens operating at 525mA. All published luminaire photometric testing performed to IESNA LM-79-08 standards.



Isofootcandle plot of 4300K, 120 LED Type III Medium area luminaire at 25' (7.6m) A.F.G. Luminaire with 10,227 initial delivered lumens operating at 525mA. Initial FC at grade.

THE EDGE® EPA & Weight Calculations

| # of LEDs | Approximate Weight 120-480V ¹ | Post Top |
|-----------------------|--|----------|
| Post Top Mount | | |
| 40 | 39.7 lbs. (18.0kg) | 1.10 |
| 60 | 40.9 lbs. (18.6kg) | 1.10 |
| 80 | 42.6 lbs. (19.4kg) | 1.10 |
| 100 | 43.7 lbs. (19.9kg) | 1.10 |
| 120 | 45.3 lbs. (20.6kg) | 1.10 |

1. Add 5 lbs (2.3kg). for transformer in 347–480V fixtures when multi-level options are selected

