

## DESCRIPTION

The Corelite Z3 LED combines excellent performance with the high sense of style and superior brightness management that characterizes the Corelite Class RZ family. The proprietary LED platform delivers a soft, diffuse volume of pure white light that carries the general character of a fluorescent source while simultaneously eliminating unsightly socket shadows and the hassle of luminaire maintenance. Available in 2x2, 2x4, 1x4, and multiple lensing styles, the Class RZ family is ideal for a large range of architectural interiors including offices, schools, and hospitals.

## SPECIFICATION FEATURES

### Construction

Low profile 3-3/4" housing constructed of die-formed 20 gauge cold rolled steel with integral 20 gauge gear tray. High reflectance sheet metal internal reflectors can be removed for easy access to driver compartment from below ceiling plenum. Fixture weight: 14.0 lbs.

available in round or rectangular pattern via internal frosted acrylic inlay and smooth clear acrylic lens. Nano-prismatic inlay is a high light transmission material offering additional brightness mitigation with smooth acrylic lens. Lenses secured to housing via injection molded inserts for easy access to light engine.

### Shielding

High light transmission curved frosted prismatic acrylic lens with UV inhibitors minimizes lamp image and LED pixilation. Perf patterns and nano-prismatic are available as additional aesthetic options. Perf

### Finish

Fixture housing is high reflectance white using electrostatically applied polyester powder coat paint for durability and luminous uniformity.

### Electrical

Long-life LED system coupled with electrical driver to deliver optimal performance. Projected life is 60,000 hours at 87% lumen output. LEDs are available in 3000K, 3500K or 4000K with a typical CRI  $\leq$  85. Standard drivers are 0-10 volt continuous dimming that work with any 0-10V control/dimmer. Or, specify Digital Addressable Lighting Interface (DALI) drivers; for use with Fifth Light controls. See ordering information for details.

### Mounting

Universal flange design works with most lay-in ceiling types. Integral pry-out tabs secure luminaire to ceiling grid from above. Fixture offers tie-in locations for tie-wire on all corners. Consult local code for appropriate tie-wire recommendations. See Technical Notes section for drywall frame kit and surface mount kit options.

### Compliance

Components are UL recognized and luminaires are cULus listed for 25°C ambient environments, damp location listed, and RoHS compliant.

### Warranty

Five-year warranty.

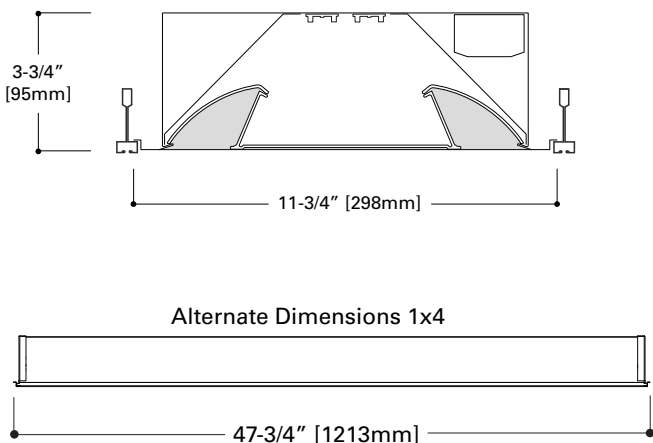


## CLASS Z3 Flat Lens

### LED

**1' x 4' Recessed**  
3-3/4" Depth

CERTIFICATION DATA  
cULus - 1598  
Damp Location Listed  
IC Rated  
LM79/LM80 Compliant  
ROHS Compliant



## ORDERING INFORMATION

Sample Number: Z3-WL-3L35-LD5-UNV-14-T1-STD-EL14W-AR

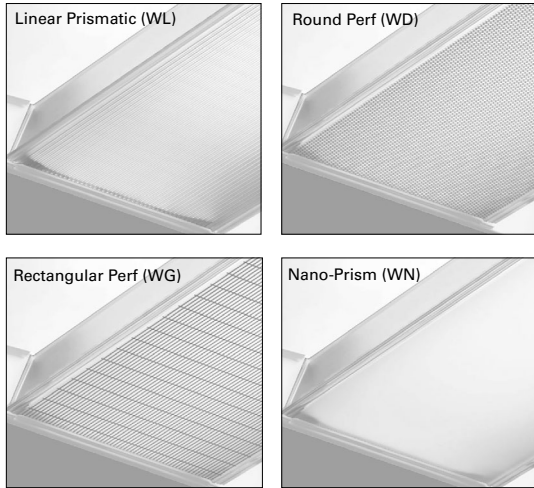
Series <sup>(1)</sup>	Optics/Shielding	Light Level (1x4, WL, 3500K delivered lumens)	Color Temperature	LED Revision	Input Voltage
Z3 = Class Z3 LED Recessed Series	WL = Linear Prismatic Lens WD = Round Perf Inlay WG = Rectangular Perf Inlay WN = Nano Prism Lens	1 = Light Level 1 (2030 Lms, 16W) 2 = Light Level 2 (3009 Lms, 24W) 3 = Light Level 3 (4071 Lms, 33W) 4 = Light Level 4 (5077 Lms, 43W) 5 = Light Level 5 (6031 Lms, 54W)	L30 = LED 3000K L35 = LED 3500K L40 = LED 4000K	LD5 = LED 5.0	UNV = Universal (120V-277V) 347 = 347V <sup>(2)</sup>
Size	Ceiling Type	Driver Type	Emergency (Optional)	Options	
14 = 1' x 4'	T1 = 1" T-Bar, Slot Grid, and 9/16" Tegular <sup>(3)</sup> T9 = 9/16" T-Bar (Flush)	STD = Standard 0-10V (10%-100%) HCD = 0-10V (1%-100%) STP = Step Dimming (BI-Level, 50%) <sup>(5)</sup> 5LT = Fifth Light DALI (10%-100%) <sup>(4)</sup> LH = Lutron HiLume 1% EcoSystems <sup>(6)</sup> L5 = Lutron 5-Series 5% EcoSystems <sup>(6)</sup>	EL14W = 14-watt 120V-277V Integral EM Battery Pack <sup>(7)</sup> GTD2 = Bodine Emergency Transfer Switch	AR = Air Return CP = Chicago Plenum W6 = 6' Whip Flex W12 = 12' Whip Flex	

See page 2 for technical notes

**LUMEN MAINTENANCE**

Ambient Temperature	TM-21 Lumen Maintenance (60,000 hours)	Theoretical L70 (Hours)
25°C	>87%	148,000

**INLAY OPTIONS**



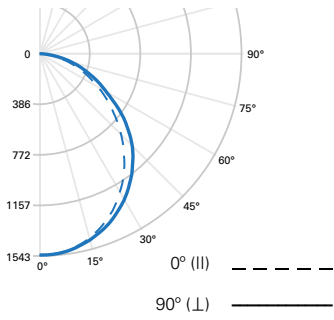
**ENERGY AND PERFORMANCE DATA**

1x4 – Z3 Light Level Outputs and Distributions (3500K)				
Series	Light Level	Delivered Lumens	Wattage	Efficacy (LPW)
Z3-WL	1	2023	15.8	128
	2	2999	23.8	126
	3	4057	33.3	122
	4	5059	43.3	117
	5	6010	54.0	111
Z3-WD	1	1793	15.8	113
	2	2658	23.8	112
	3	3595	33.3	108
	4	4484	43.3	104
	5	5326	54.0	99
Z3-WG	1	1805	15.8	114
	2	2676	23.8	112
	3	3620	33.3	109
	4	4514	43.3	104
	5	5363	54.0	99
Z3-WN	1	1905	15.8	121
	2	2824	23.8	119
	3	3820	33.3	115
	4	4764	43.3	110
	5	5659	54.0	105

**TECHNICAL NOTES**

1. Dimming wires come standard in all LED fixtures but can be capped in the field for switched operation.
2. Integral 347V electronic driver with STD 0-10V option only. Factory supplied remote transformer for all other driver/dimming options.
3. "T1" ceiling type is compatible with Metalux DF Series Drywall Frame Kits and Metalux Universal Surface Mount Kits, ordered separately from Metalux. For 1x4 drywall frame kit, order part #DF-14-W. For 1x4 surface mount kit, order part #SK-14-WT. Refer to the surface mount kit specification sheet for more information.
4. Must be used in conjunction with a DALI control system. For a complete listing of Fifth Light Technology products and other solutions from Eaton Controls, visit [www.eaton.com/lightingsystems](http://www.eaton.com/lightingsystems)
5. 1x4: STP driver not available in Light Levels 1 and 2.
6. 1x4: LH/L5 driver not available in Light Level 1.
7. Unless noted otherwise, integral emergency battery pack is 14W maximum, 90 minute output. A test switch/indicator button can be tested safely from the ground using a laser pointer, while the patented EZ Key prevents accidental discharge of the battery during construction. For approximate delivered lumens multiply the lumens per watt of the desired fixture by the wattage of the emergency battery pack (100 lm/W x 14=1400 lumens)

PHOTOMETRICS



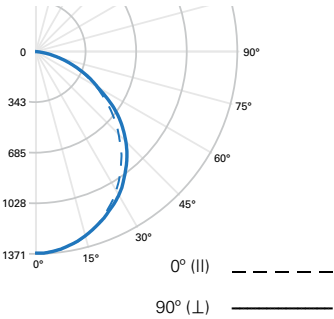
**FILE NAME:** Z3-WL-3L35-LD5-UNV-14.IES  
**LAMP:** (LD5) LED 3500K  
**LUMENS:** 4057 Lm  
**WATTS:** 33.3 W  
**EFFICACY:** 122 Lm/W  
**TEST NO.:** P220007  
**SC:** (||) 1.19, (⊥) 1.21

**ZONAL LUMENS SUMMARY**

Zone	Lumens	% Fixture
0°-30°	1198	29.5
0°-40°	1932	47.6
0°-60°	3294	81.2
0°-90°	4057	100

**LUMINANCE DATA (cd/m²)**

Vertical Angle	0°	45°	90°
45°	3496	3620	3689
55°	3168	3359	3339
65°	2789	2957	2879
75°	2298	2445	2383
85°	1692	1627	1504



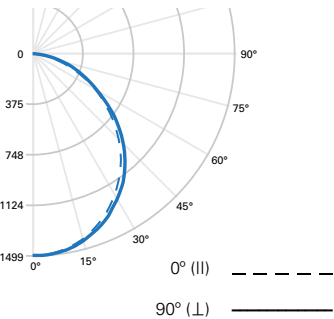
**FILE NAME:** Z3-WG-3L35-LD5-UNV-14.IES  
**LAMP:** (LD5) LED 3500K  
**LUMENS:** 3620 Lm  
**WATTS:** 33.3 W  
**EFFICACY:** 109 Lm/W  
**TEST NO.:** P220021  
**SC:** (||) 1.2, (⊥) 1.25

**ZONAL LUMENS SUMMARY**

Zone	Lumens	% Fixture
0°-30°	1046	28.9
0°-40°	1702	47
0°-60°	2960	81.8
0°-90°	3620	100

**LUMINANCE DATA (cd/m²)**

Vertical Angle	0°	45°	90°
45°	3118	3342	3457
55°	2873	3149	3168
65°	2518	2737	2621
75°	1918	2045	1940
85°	1000	939	750



**FILE NAME:** Z3-WN-3L35-LD5-UNV-14.IES  
**LAMP:** (LD5) LED 3500K  
**LUMENS:** 3820 Lm  
**WATTS:** 33.3 W  
**EFFICACY:** 115 Lm/W  
**TEST NO.:** P220049  
**SC:** (||) 1.2, (⊥) 1.23

**ZONAL LUMENS SUMMARY**

Zone	Lumens	% Fixture
0°-30°	1122	29.4
0°-40°	1817	47.6
0°-60°	3138	82.1
0°-90°	3820	100

**LUMINANCE DATA (cd/m²)**

Vertical Angle	0°	45°	90°
45°	3342	3511	3604
55°	3035	3301	3282
65°	2686	2854	2699
75°	2004	2109	2004
85°	939	939	815

Note: Round Perf (WD) photometric performance is similar to Rectangular Perf (WG). Reference IES-format photometry online for more detail.