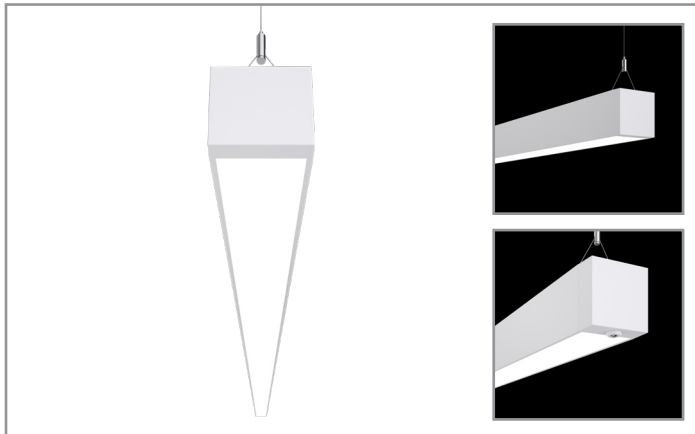


Project		Catalog #		Type	
Prepared by		Notes		Date	



Corelite

Continua™ SQ4

Suspended
Direct / Indirect

Typical Applications

• Office • Education • Healthcare • Hospitality • Retail

Interactive Menu

- Order Information page 2
- Photometric Data page 3
- Energy and Performance Data page 3
- Connected Systems page 5
- Product Warranty

Product Certification



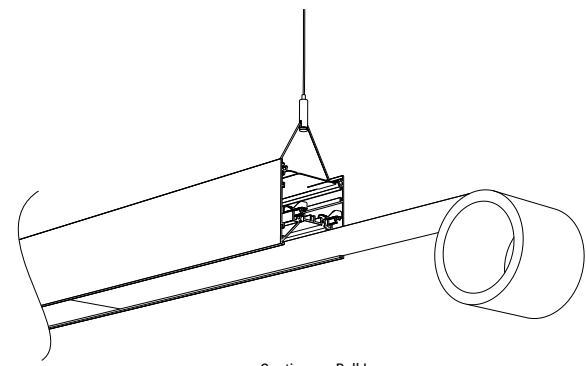
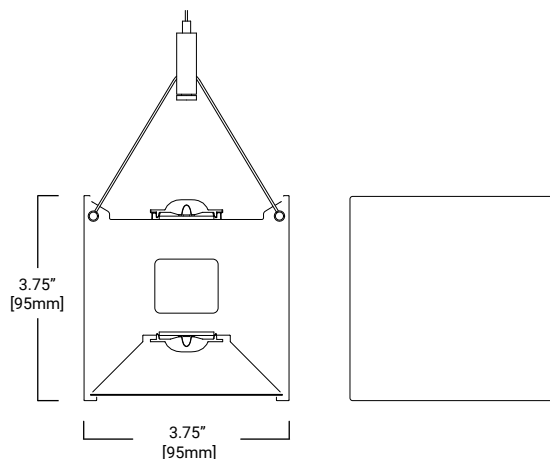
Product Features



Top Product Features

- Compact square design and seamless illumination with single-piece luminous roll lens
- Wide range of direct/indirect distributions plus independent up/down circuiting
- Controlled batwing distribution for maximizing on-center spacing
- Available in 4', 6', 8', 12', and Continuous runs.
- Up to 135 lumens per watt

Dimensions



Continuous Roll Lens

Order Information

SAMPLE ORDER NUMBER: **SQ4-F-025U/075D-835-1D-UNV-STD-WAA-BSL6-W-AC48-T1-32**

Series	Shielding	Lumen Package Up (Lms/ft)	Lumen Package Down (Lms/ft)	CRI/CCT	Circuiting	Additional Section Wiring	Voltage
SQ4= Continua SQ 4" Suspended Direct/ Indirect	F= Frosted Continuous Roll Lens	00U= No Uplight 025U= 250 Lumens/ft Up 050U= 500 Lumens/ft Up 075U= 750 Lumens/ft Up 100U= 1000 Lumens/ft Up 125U= 1250 Lumens/ft Up 150U= 1500 Lumens/ft Up	050D= 500 Lumens/ft Down 075D= 750 Lumens/ft Down 100D= 1000 Lumens/ft Down 125D= 1250 Lumens/ft Down	830= 3000K, 80CRI 835= 3500K, 80CRI 840= 4000K, 80CRI 930= 3000K, 90CRI 935= 3500K, 90CRI 940= 4000K, 90CRI	1= Single Circuit 2= Dual Circuit (Ind. Up/ Down Circuits)	D= None (Default Dimming) E= Emergency Circuit S= Secondary Circuit N= Secondary + Emergency Circuit	UNV= Universal (120V-277V) 347= 347V
Notes	Notes Single piece lens supplied up to 100-ft.	Notes Custom lumen output available. Up (Indirect): Min = 250 Lms/ft Max = 1800 Lms/ft	Notes Custom lumen output available. Down (Direct): Min = 200 Lms/ft Max = 1900 Lms/ft	Notes Additional lead-time may apply for 90CRI configurations.	Notes Refers to wiring in cross section. Dual circuit not available with secondary circuit or integrated sensor.	Notes Select "D" wiring for individual fixtures. Emergency and Secondary circuit section wiring are configured per unit (4ft, 6ft, 8ft, or 12ft).	Notes Integral 347V driver with STD 0-10V option only. Factory supplied 347V remote transformer for all other driver options

Driver/Dimming Options	Integrated Sensing Systems	Integral Emergency Devices	Finish	Suspension Type	Ceiling Type	Run Length
STD= Standard 0-10V (1%-100%) SR= Sensor Ready (1%-100%) SLT= Fifth Light DALI (5%-100%) LH= Lutron HiLume 1% EcoSystems (LDE1) L5= Lutron 5-Series 5% EcoSystems (LDE5)	WAA= WaveLinX Wireless Integrated Sensor LWIPD1= Enlighted Pro Wireless Integrated Sensor	BSL6= Bodine 6-watt, 120V-277V Emergency Battery Pack, Self-Diagnostic, BSL6LST EPC= LVS Controls EPC UL924 Bypass Relay	W= White S= Silver B= Black CC= Custom Color	AC48= 48" Aircraft cable AC120= 120" Aircraft cable AC240= 240" Aircraft cable	T1= 15/16" T-Bar T9= 9/16" T-Bar TS= Slotted T-Bar JB= Junction Box / Structure UM= Universal Ceiling Kit (T1, T9, JB)	4= 4 ft 6= 6 ft 8= 8 ft 12= 12 ft XX= Specify Run Length
Notes Additional driver configuration information on Page 6.	Notes WAA sensor must be used with "STD" driver. LWI sensor must be used with "SR" driver. Integrated Sensors combined with Emergency Circuit require one UL924 Bypass Relay per emergency fixture.	Notes EPC option used to bypass local control during outage. Must be used in conjunction with UL 1008 device (provided by others).	Notes	Notes Please refer to ceiling interface diagrams for additional detail and dimensions.	Notes UM mounting accommodates 15/16" Grid, 9/16" Grid, 4" Octagonal J-Box, and Structure - Adder applies. White mounting hardware standard; for black mounting hardware, add "-B" after ceiling type.	Notes See 'Standard Row Configurations' table on Page 4 for continuous row length breakdowns.

Product Specifications

Construction

- Single-piece extruded aluminum housing
- 3.75" x 3.75" square profile
- Die-formed 20 gauge cold rolled steel gear tray
- Driver accessible from above while fixture is suspended

End Caps

- Die cast aluminum end caps allow for expansion of roll lens to eliminate light leak
- Attach mechanically to the end of the fixture without exposed fasteners
- Standard end cap adds 0.75" at each end. Integrated sensor end cap adds 1.5" at each end

Lengths

- Available in 4-ft, 6-ft, 8-ft, and 12-ft sections
- Modular design eliminates the need for starter, intermediate, and end of run sections
- See table on page 4 for standard continuous row length breakdowns

Finish

- Electrostatically applied polyester powder coat paint
- White finish standard
- Silver, Black, and RAL custom colors are available

Mounting

- Aircraft cable mounts on 4'-0", 6'-0", 8'-0", or 12'-0" centers, equal to the respective unit length
- Can also be adjusted along the length of the fixture to match existing mounting points
- Minimum suspension height from ceiling to top of fixture is 5"

- Fixture is balanced to allow for minimal leveling
- All sections are continuously wired with push-in connectors for fast installation
- Fixtures can be joined for straight continuous runs using supplied alignment pins and internal cast joiners
- Refer to installation instructions for various ceiling interface details

Shielding

- Frosted continuous flexible roll lens creates seamless illumination along entire row length
- Single piece roll lens up to 100 ft

Optics

- Precision engineered acrylic TIR optics on upper and lower LED light engines for optimal light distribution and uniformity
- 112.5° peak candela angle

LED and Light Engine

- LED's are available in 3000K, 3500K, 4000K
- CRI options of either ≥80CRI or ≥90CRI
- Lumen output will be affected - please refer to the lumen adjustment factor tables
- TM21 life at 60,000 hours up to L84 and calculated L70 exceeds 121,000 hrs.
- Drivers available in 120-277V and 347V

Integrated Controls

- 0-10V dimming to 1% standard
- WaveLinX sensor compatible for IoT capability
- Enlighted Pro sensor compatible for IoT capability
- DALI 2.0 and Lutron dimming available

Emergency Options

- Emergency circuit option operates entire downlight portion of a specified unit (4 ft, 6 ft, 8 ft, or 12 ft)
- Optional 6-watt 120-277V emergency battery illuminates a 4 ft. down-light section
- 90-minute backup period for code compliance
- Test switch/indicator button located on the top side of the luminaire
- For approximate delivered lumens multiply the lumens per watt of the desired fixture by the wattage of the emergency battery pack (100 lm/W x 6 = 600 lumens)
- Battery is self-testing
- UL 924 emergency/generator transfer options available

Weight

- 3.5 lbs. per foot

Compliance

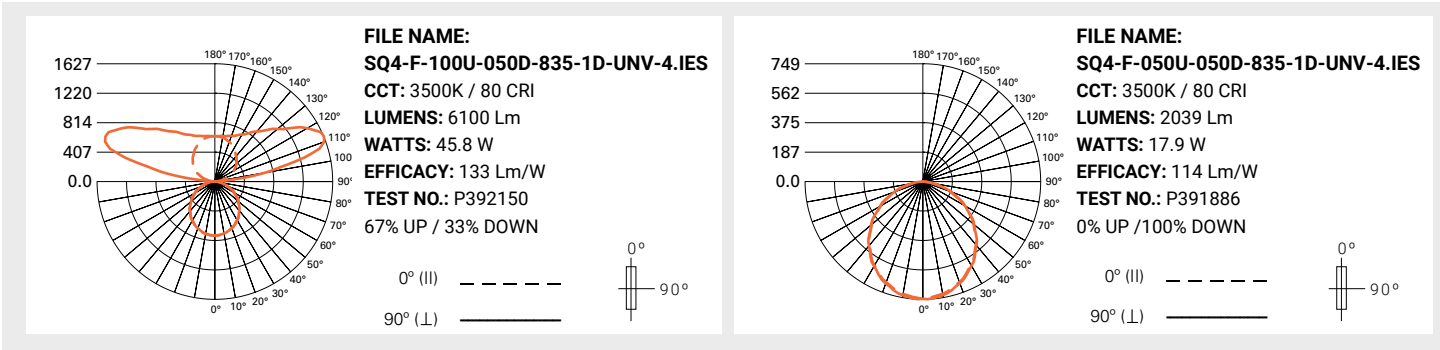
- cULus listed for damp locations
- Tested to IESNA LM-79 and LM-80
- RoHS compliant
- Stated life per TM21 standards
- Can be used for State of California Title 24 high efficacy luminaire

Warranty

- Five-year warranty standard. Optional ten year warranty available.

Photometric Data

[View IES files](#)



Note: Refer to IES files for more product data.

Energy and Performance Data

Continua SQ4 Suspended Performance (3500K)						
Series	Lumens/ft Up	Lumens/ft Down	Lumens/ft Total	W/ft Total	Lm/W	Distribution (up%/down%)
000U-050D	0	510	510	4.5	114	0% / 100%
000U-075D	0	753	753	6.7	112	0% / 100%
000U-100D	0	993	993	9.2	108	0% / 100%
000U-125D	0	1239	1239	12.1	103	0% / 100%
025U-050D	253	510	763	6.4	120	33% / 67%
025U-075D	253	753	1006	8.6	117	25% / 75%
025U-100D	253	993	1247	11.1	112	20% / 80%
025U-125D	253	1239	1493	14.0	107	17% / 83%
050U-050D	508	510	1018	7.9	129	50% / 50%
050U-075D	508	753	1261	10.2	124	40% / 60%
050U-100D	508	994	1501	12.7	119	34% / 66%
050U-125D	508	1240	1747	15.5	113	29% / 71%
075U-050D	765	510	1275	9.6	132	60% / 40%
075U-075D	765	753	1518	11.9	128	50% / 50%
075U-100D	765	994	1759	14.4	122	44% / 56%
075U-125D	765	1240	2005	17.2	116	38% / 62%
100U-050D	1015	510	1525	11.5	133	67% / 33%
100U-075D	1015	753	1768	13.7	129	57% / 43%
100U-100D	1015	994	2009	16.2	124	51% / 49%
100U-125D	1015	1240	2255	19.1	118	45% / 55%
125U-050D	1267	510	1777	13.5	132	71% / 29%
125U-075D	1267	753	2020	15.7	129	63% / 37%
125U-100D	1267	994	2261	18.2	124	56% / 44%
125U-125D	1267	1240	2506	21.1	119	51% / 49%
150U-050D	1497	510	2007	15.5	130	75% / 25%
150U-075D	1497	753	2250	17.7	127	67% / 33%
150U-100D	1497	994	2491	20.2	123	60% / 40%
150U-125D	1497	1240	2737	23.1	119	55% / 45%

Lumen Adjustment Factors

CCT Multiplier	80 CRI	90 CRI
3000K	0.944	0.796
3500K	1.000	0.869
4000K	1.010	0.864

Example Calculation:

025U-075D / 3500K / 80 CRI

Lumen Output selected = 1006 lms/ft

3500K / 90 CRI Desired

Lumen Adjustment Factor = 0.869

Adjusted Lumen Output = 1006 lms/ft x 0.869 = 874 lms/ft

Lumen Maintenance

Ambient Temperature	TM-21 Lumen Maintenance (60,000 hours) ⁽¹⁾	Theoretical L70 (Hours) ⁽²⁾
25°C	>84%	121,000

Notes: (1) Supported by IES TM-21 standards. (2) Theoretical values represent estimations commonly used; however, refer to the IES position on LED Product Lifetime Prediction, IES PS-10-18, that explains proper use of IES TM-21 and LM-80.

Color Data (3500K)

		80CRI	90CRI
TM-30-15	R _f	82.3	90.8
	R _g	97.6	99.5
CRI/CIE	R _a	83.0	95.7
	R ₉	13.0	65.9

Optical Performance

Series ¹	CCT	UGR [CIE 190:2010] (4H, 8H, Reflectance: 70% Ceiling, 50% Wall, 20% Ref. Plane) ²	MAX INTENSITY [45-90 DEG FROM NADIR] (Candela CD) ³	MAX LUMINANCE [45-90 DEG FROM NADIR] (CD/M ²) ³
XXXU-050D	3500	15.3	482	5850
XXXU-075D	3500	17.7	714	8683
XXXU-100D	3500	19.5	944	11480
XXXU-125D	3500	20.8	1173	14265

Notes: (1) Indirect lumen output does not contribute to the optical performance metrics shown. (2) For other UGR data for room or reflective ceiling plans please see technical data on website. (3) For other CCT please see technical data on website.

Standard Row Configurations

Fixture Length	4'	6'	8'	10'	12'	14'	16'	18'	20'	22'	24'	26'	28'	30'	32'	34'	36'	38'	40'	42'	44'	46'	48'	50'	
4'	1			1																					
6'		1		1		1		1		1		1		1		1		1		1		1		1	
8'			1			1	2		1	2		1	2		1	2		1	2		1	2		1	2
12'					1			1	1		2	1	1	2	2	1	3	2	2	3	3	2	4	3	

Fixture Length	52'	54'	56'	58'	60'	62'	64'	66'	68'	70'	72'	74'	76'	78'	80'	82'	84'	86'	88'	90'	92'	94'	96'	98'	100'
4'																									
6'		1		1		1		1		1		1		1		1		1		1		1		1	
8'	2		1	2		1	2		1	2		1	2		1	2		1	2		1	2		1	2
12'	3	4	4	3	5	4	4	5	5	4	6	5	5	6	6	5	7	6	6	7	7	6	8	7	7

Control Systems

- WaveLinx
- DLVP
- iLumin Plus
- VividTune
- Enlighted

Integrated Sensor Details and Placement

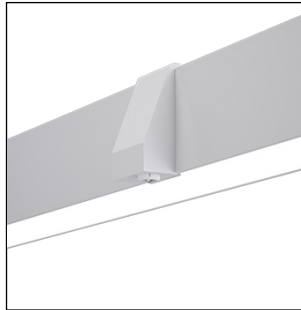
Sensor Type	Wireless	Sensor Mounting	Ordering Code
WaveLinx	Yes	Endcap or Side Mount - See Default Integral Sensor Placement	WAA
Enlighted	Yes	Endcap or Side Mount - See Default Integral Sensor Placement	LWIPD1

Continua SQ luminaires with integrated sensor options must be used in conjunction with the associated system and may not be compatible with other options or accessories. Refer to the WaveLinx system or Enlighted system pages for additional details and compatibility. Standard sensor layout is shown below. Custom sensor placement is available - consult factory. Please refer to sensor coverage pattern diagrams to ensure proper coverage for the application. Standard configurations are available in both individual fixtures and in continuous runs. Each fixture length can be individually controllable or grouped together with the integrated sensors. Default spacing is based on the maximum fixture length of 12ft and can be changed to 8ft sensor spacing for additional coverage by selecting the 8ft max fixture length option when ordering.

For additional information integrated sensors and connected lighting, please visit [Cooper Lighting Solutions' Connected Lighting Website](#).



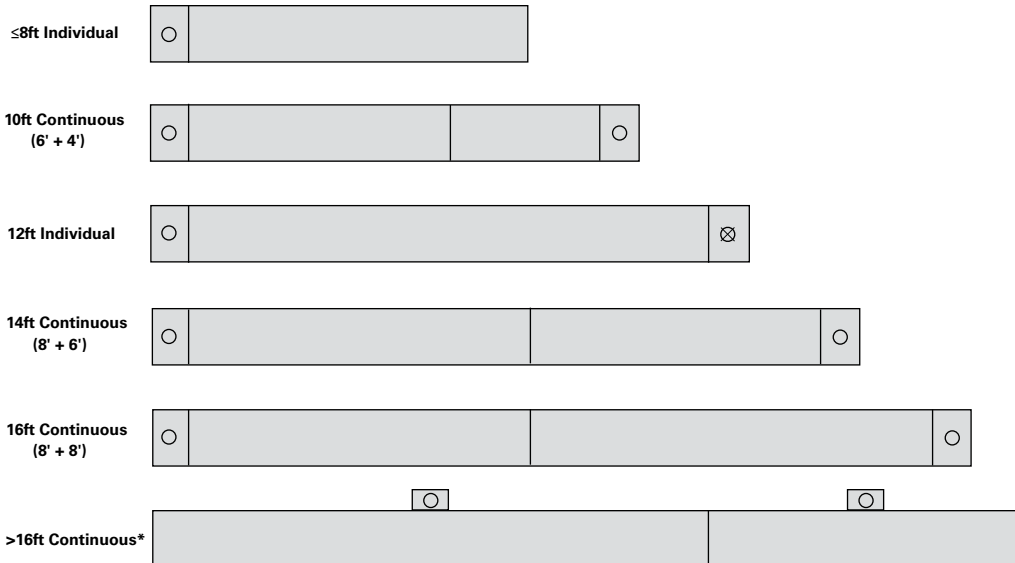
SQ4 Suspended with Integrated Sensor - Endcap



SQ4 Suspended with Integrated Sensor - Side Mount

- Standard Sensor with Luminaire Control
- ⊗ Auxiliary Sensor used for Sensor Coverage (wireless systems only)

DEFAULT INTEGRAL SENSOR PLACEMENT



Note: *See Standard Row Configuration table on Page 4.

Driver Availability – 'STD' 0-10V, UNV Quantity of Drivers				
Lumen Package	4'	6'	8'	12'
000U-050D	1	1	1	1
000U-075D	1	1	1	1
000U-100D	1	1	1	2
000U-125D	1	1	1	2
025U-050D	2	2	2	2
025U-075D	2	2	2	2
025U-100D	2	2	2	3
025U-125D	2	2	2	3
050U-050D	2	2	2	2
050U-075D	2	2	2	2
050U-100D	2	2	2	3
050U-125D	2	2	2	3
075U-050D	2	2	2	2
075U-075D	2	2	2	2
075U-100D	2	2	2	3
075U-125D	2	2	2	3
100U-050D	2	2	2	2
100U-075D	2	2	2	2
100U-100D	2	2	2	3
100U-125D	2	2	2	3
125U-050D	2	2	2	3
125U-075D	2	2	2	3
125U-100D	2	2	2	4
125U-125D	2	2	2	4
150U-050D	2	2	2	3
150U-075D	2	2	2	3
150U-100D	2	2	2	4
150U-125D	2	2	2	4

Driver Availability – '5LT' DALI / 'SR' Quantity of Drivers				
Lumen Package	4'	6'	8'	12'
000U-050D	1	1	1	1
000U-075D	1	1	1	1
000U-100D	1	1	1	2
000U-125D	1	1	2	3
025U-050D	2	2	2	2
025U-075D	2	2	2	2
025U-100D	2	2	2	3
025U-125D	2	2	3	4
050U-050D	2	2	2	2
050U-075D	2	2	2	2
050U-100D	2	2	2	3
050U-125D	2	2	3	4
075U-050D	2	2	2	2
075U-075D	2	2	2	2
075U-100D	2	2	2	3
075U-125D	2	2	3	4
100U-050D	2	2	2	2
100U-075D	2	2	2	2
100U-100D	2	2	2	3
100U-125D	2	2	3	4
125U-050D	2	2	2	3
125U-075D	2	2	2	3
125U-100D	2	2	2	3
125U-125D	2	2	3	5
150U-050D	2	2	3	4
150U-075D	2	2	3	4
150U-100D	2	2	3	5
150U-125D	2	2	4	6

Driver Availability – 'L5' / 'LH' Lutron Quantity of Drivers				
Lumen Package	4'	6'	8'	12'
000U-050D	1	1	1	1
000U-075D	1	1	1	1
000U-100D	1	1	1	2
000U-125D	1	1	2	3
025U-050D	2	2	2	2
025U-075D	2	2	2	2
025U-100D	2	2	2	3
025U-125D	2	2	3	4
050U-050D	2	2	2	2
050U-075D	2	2	2	2
050U-100D	2	2	2	3
050U-125D	2	2	3	4
075U-050D	2	2	2	2
075U-075D	2	2	2	2
075U-100D	2	2	2	3
075U-125D	2	2	3	4
100U-050D	2	2	2	2
100U-075D	2	2	2	2
100U-100D	2	2	2	3
100U-125D	2	2	3	4
125U-050D	2	2	2	3
125U-075D	2	2	2	3
125U-100D	2	2	2	3
125U-125D	2	2	3	5
150U-050D	2	2	3	4
150U-075D	2	2	3	4
150U-100D	2	2	3	5
150U-125D	2	2	4	6

Driver Availability – 'STD' 0-10V, 347V Quantity of Drivers				
Lumen Package	4'	6'	8'	12'
000U-050D	1	1	1	1
000U-075D	1	1	1	1
000U-100D	1	1	1	2
000U-125D	1	1	1	2
025U-050D	2	2	2	2
025U-075D	2	2	2	2
025U-100D	2	2	2	3
025U-125D	2	2	2	3
050U-050D	2	2	2	2
050U-075D	2	2	2	2
050U-100D	2	2	2	3
050U-125D	2	2	2	3
075U-050D	2	2	2	2
075U-075D	2	2	2	2
075U-100D	2	2	2	3
075U-125D	2	2	2	3
100U-050D	2	2	2	2
100U-075D	2	2	2	2
100U-100D	2	2	2	3
100U-125D	2	2	2	3
125U-050D	2	2	2	3
125U-075D	2	2	2	3
125U-100D	2	2	2	4
125U-125D	2	2	2	4
150U-050D	2	2	2	3
150U-075D	2	2	2	3
150U-100D	2	2	2	4
150U-125D	2	2	2	4