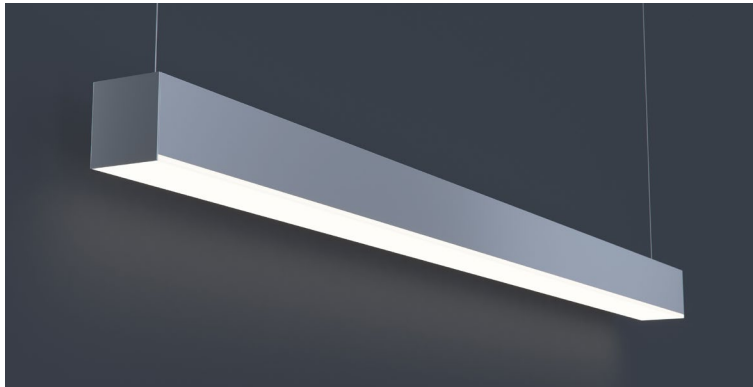





DATE	PROJECT	FIRM	TYPE
------	---------	------	------



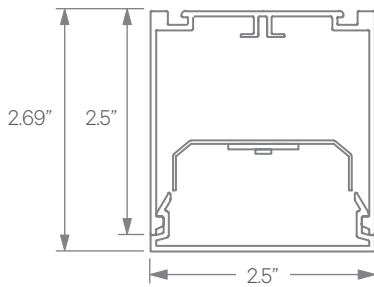
Linear architectural luminaire with 2-1/2" aperture providing continuous light. For indoor applications. Suspended, surface or wall mount installation. For custom mounting please consult factory.

### FEATURES

- Available In Made To Measure Lengths Accurate Up To 1/16"
- Patterns Available (See Page 2)
- Damp Location Rated
- CRI 90+ Standard; R9>50
- 5 Year, 50,000 Hour Fixture Warranty
- 2700K, 3000K, 3500K, 4000K & 5000K Color Temperatures Available
- Available with PoE

<b>APPLICATIONS</b>	Offices, Lobbies, Retail Stores, Classrooms, Reception Areas & Corridors		
<b>CONSTRUCTION</b>	Extruded Aluminum Housing with Steel End Caps. Formed Steel Gear Tray	<b>OPTICS</b>	Extruded High Transmission Satin Acrylic Lens with No LED Imaging. Additional Optics Available
<b>WARRANTY</b>	5 Year Limited Warranty (Covers Standard Components)		<b>FINISH</b> Standard Powder-Coated White. Custom RAL Colors Available
<b>FIXTURE RATINGS &amp; CERTIFICATIONS</b>	Union Made ETL Listed	Made In The USA Damp Location Rated	 
<b>ELECTRICAL</b>	Integral Driver with 0-10V Dimming Standard. Several Driver Options Available		<b>DRIVERS &amp; SENSORS</b>  <p>For Wiring Diagrams and Sensor Information Click <a href="#">Here</a></p>

### EXTRUSION DIMENSIONS



NOTE: STANDARD LENS SITS 1/4" BELOW EXTRUDED HOUSING. FLUSH LENS OPTION AVAILABLE.

### LED SYSTEM INFORMATION

	Nominal System Watts	Nominal Delivered Lumens	Nominal Efficacy
Standard (LTG1)	7.25 W/ft	680 lm/ft	94 LPW
Low (LTG2)	5 W/ft	475 lm/ft	95 LPW
High (LTG3)	10 W/ft	925 lm/ft	92 LPW

Based on a 3500K luminaire using one driver. Custom outputs available; specify below.

[GET A QUOTE >](#)

ORDERING	1	2	3	4	5	6	7	8	9	10	11
----------	---	---	---	---	---	---	---	---	---	----	----

<b>1 - FIXTURE ID</b> <b>LS2 LED</b>	<b>2 - LENGTH</b> 2 - 2 ft 4 - 4 ft 8 - 8 ft X'-X" - Specify Length PAT - Pattern (Consult Factory)	<b>3 - COLOR TEMP</b> 27 - 2700K/90 CRI 30 - 3000K/90 CRI 35 - 3500K/90 CRI 40 - 4000K/90 CRI 50 - 5000K/90 CRI TW* - Tunable White RGBW** - RGB + 3000K *Must use DMX or TW10 Driver **Must use DMX Driver	<b>4 - LED SYSTEM</b> LTG1 - Standard LTG2 - Low LTG3 - High LTGC - Custom Output	<b>5 - VOLTAGE</b> UNV - Universal (120/277V)	<b>6 - DRIVER</b> DB - Standard Dimming (0-10V) DB1% - 1% Dimming (0-10V) DB.1% - 0.1% Dimming (0-10V) LTEA - Lutron 2-wire 1% Dimming (120V only) LDE1 - Lutron Digital EcoSystem LDE5 - 5 Series EcoSystem; 5% Dimming PoE - Power over Ethernet. Consult Factory for Compatibility DMX - For Color Tuning and RGBW (Remote) TW10 - Dual Channel, 0-10V For Color Tuning (CCT and Intensity Control)
<b>7 - FINISH</b> W - White (Standard) BLK* - Black CC* - Custom Color (provide RAL#) *White cord and canopy provided. Must specify for other requests.	<b>8 - MOUNTING</b> AC - Air Craft Cable (50") SM - Surface Mount WM - Wall Mount *For Perimeter Mount see LSR2 spec sheet.	<b>9 - OPTICS</b> SD - Standard Diffuser FL - Flat/Flush Lens	<b>10 - CONTROL (Optional)</b> EIS - Enlighted Sensor WISD - Wattstopper Daylight Sensor WISM - Wattstopper Occupancy Sensor SLS - SensiLUM Sensor ACS - Acuity Controls nLight System CCS - Casambi Compatible ECS - Eaton WaveLinX System *For other control systems not listed consult factory.	<b>11 - OTHER OPTIONS</b> EM 120V - Emergency Pack EM 277V - Emergency Pack EMCKT - Emergency Circuit	

DATE

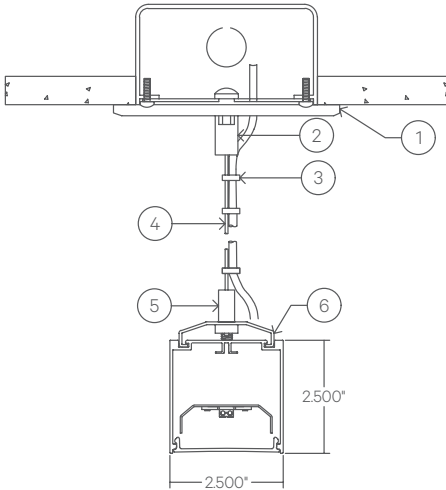
PROJECT

FIRM

TYPE

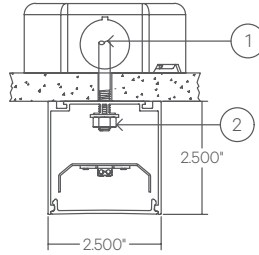
## MOUNTING OPTIONS

### AC - Air Craft Cable (50")



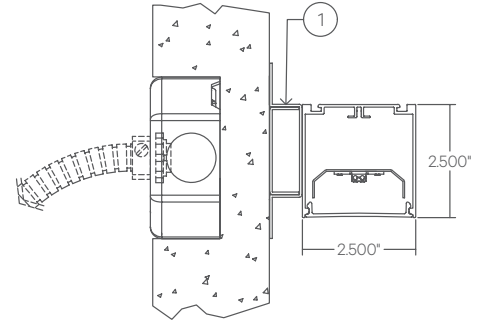
- 1 - 5" Round Canopy (Standard White Finish)
- 2 - Canopy Retainer
- 3 - SJT Cord (Standard White)
- 4 - Air Craft Cable
- 5 - Gripper
- 6 - Hanging Bracket

### SM - Surface Mount



- 1 - Threaded Rod (not supplied)
- 2 - 1/4-20 Nut (not supplied)

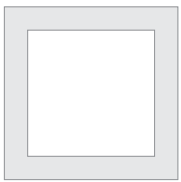
### WM - Wall Mount



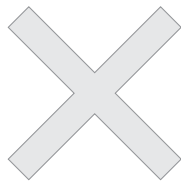
- 1 - 0.75" Wall Mount Bracket

## PATTERNS

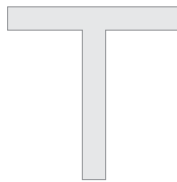
Patterns feature illuminated corners and angles. **Must consult factory for custom corners and patterns.**



Square Patterns



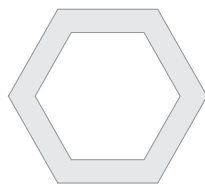
X Patterns



T Patterns

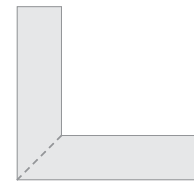


Custom Angles



Custom Patterns

## LENS CUT



Mitered