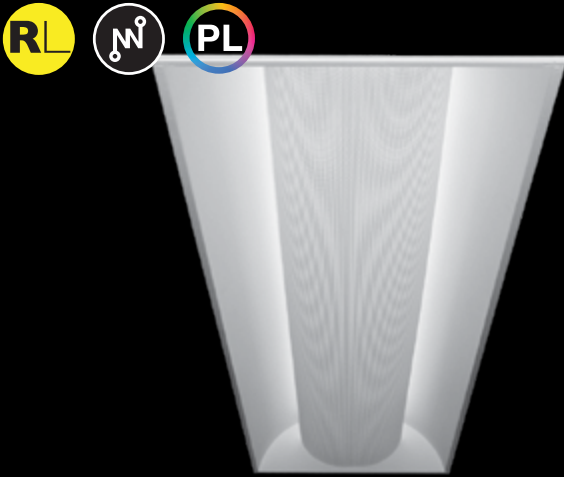
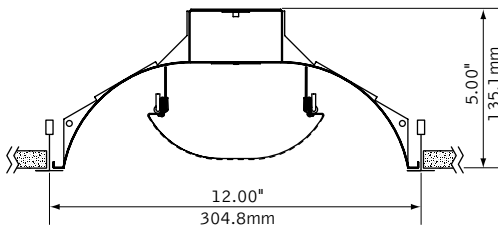


Luna[®] 1x4

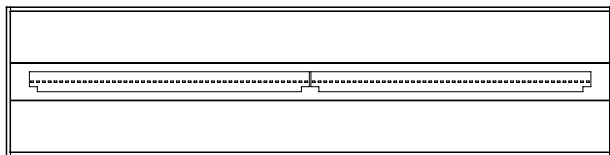
LED



DIMENSIONAL DATA



Overall height of ST luminaire is 5.50"

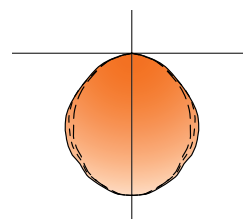


2 LED boards

FEATURES

- Architectural recessed LED luminaire with perforated center basket.
- Classic style updated with the latest technology.
- Reflector and end caps form seamless one-piece housing.
- High reflectance, low gloss Matte White finish controls glare.
- Comparable output to fluorescent versions with reduced wattage.
- Luna[®] LED provides high angle uniform distribution ideal for comfortable general illumination.
- Connected Solutions: Integrates with wired and wireless building lighting control systems.
- Preferred Light: Lighting for better color rendition and human preference.

PERFORMANCE



PRODUCT OVERVIEW

Lumen Output:	2500-3500lm
Wattage:	32-49W
LPW:	71-78
SDCM:	3

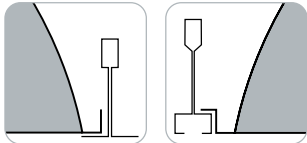
Delivered Lumens: 2500lm
Total System Watts: 32W

Photometric performance is measured in accordance with IESNA LM-79.
 Visit focalpointlights.com for complete photometric data.

MOUNTING INFORMATION

grid

specify "G" for flat 9/16" and 15/16" tee or "ST" for 9/16" slot tee grid types.

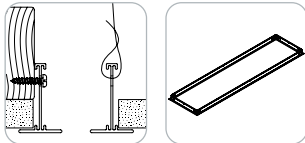


"G" flat tee "ST" slot tee

Overall height for ST luminaire is 5.50".

drywall frame kit

specify "DF" Drywall Frame Kit for drywall ceiling conditions.



Use tie-wire or screws to secure frame kit.

cut out dimensions:
1': Min: 12.25"
 Max: 12.563"
4': Min: 48.25"
 Max: 48.563"

SPECIFICATIONS

LED System

Proprietary linear LED module incorporates premium LEDs on a robust platform to achieve excellent thermal management. LEDs are placed to promote a uniform appearance. Available in 3000K, 3500K or 4000K with CRI>80. 0-10V dimming driver standard. LED modules and drivers are replaceable.

Construction

One-piece 20 Ga. steel reflector and housing, 20 Ga. steel ends form finished housing. LEDs are shielded by detachable 22 Ga. steel perforated shield with acrylic lens insert. LED shield is secured by four spring-pins allowing shield to hinge down for maintenance. Top access 20 Ga. steel driver compartment. Weight: 16 lbs.

Optic

One-piece 20 Ga. steel reflectors finished in Matte Satin White powder coat.

Electrical

Standard 120-277V driver includes 0-10V analog dimming, dimming range 100% - 10% Power factor > .9.

Emergency Battery

Bodine BSL310-CAN. Emergency output—10 watts for 90 minutes.
 Bodine BSL20LV (U.S. only). Emergency output—20 watts for 90 minutes.

Labels

UL and cUL Listed. Suitable for Dry or Damp Locations, indoor use only.

Finish

Polyester powder coat applied over a multi-stage pre-treatment.

Lumen Maintenance

Reported: L90 at >61,000 hours Calculated: L90 at 114,000 hours
 Derived from EPA TM-21 calculator. Based on typical conditions, consult factory for additional data.

Reliability

At Focal Point, our products are designed to stand the test of time. Each luminaire is engineered using superior components, manufactured with the utmost care and rigorously tested. Contact us for reliability data.

Lifetime and warranty

LED System rated for operation in ambient environments up to 25°C. 5-year limited warranty.

PERFORMANCE CHART

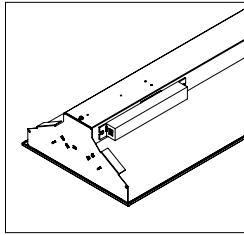
Delivered Lumens	Tested System Watts	LPW
2500 Lumens	32	78
3000 Lumens	41	73
3500 Lumens	49	71

Lumen output may vary +/- 5%. Actual wattage may vary +/- 5%. Preferred Light lumen multiplier = 0.65.

ORDERING

Luminaire Series	FLUL
Luna LED	FLUL
Nominal Size	14
1' x 4'	14
Shielding	PS
Perforated Shield	PS
Lumen Output	
2500 Lumens	2500L
3000 Lumens	3000L
3500 Lumens	3500L
Color Temperature	
3000K	30K
3500K	35K
4000K	40K
3500K Preferred Light	P35K
Circuit	1C
Single Circuit	1C
Voltage	
UNV 120/277 Volt	UNV
347 Volt (LD1 only)	347
Control System & Dimming Level	
0-10V - 1% Dimming	L11
0-10V - 10% Dimming	LD1
Lutron Hi-Lume EcoSystem (LDE1) - 1% Dimming	LH1
Lutron 5-Series EcoSystem (LDE5) - 5% Dimming	LU5
Acuity nLight - 1% Dimming (Not available with CP)	NLT1
Enlighted Smart Sensor - 1% Dimming	ENL1
Osram Connected Lighting Module - 1% Dimming (Compatible with Daintree Networks & Osram ENCELUM and Simplux systems.)	CLM1
Wattstopper DLM - 1% Dimming	DLM1
Mounting	
Drywall Frame Kit (LD1, L11, LH1 & LU5 only) (Cut out dimensions: Min: 12.25"/Max: 12.563" Min: 48.25"/Max: 48.563")	F
Grid	G
Slot Tee	ST
Factory Options	
Air Return (Adds 0.875' to overall height)	AR
Chicago Plenum	CP
Bodine BSL310 Emergency Battery (Adds 3.25' to overall height)	B310
Bodine BSL20 High Output Emergency Battery (Adds 3.25' to overall height. U.S. Only)	B20
Positional Clip	EQ
6' New York City Flex Whip (120V)	FNY1
6' New York City Flex Whip (277V)	FNY2
6' Flex Whip	FW
Finish	WH
Matte Satin White	WH

Focal Point provides flexibility in meeting the needs of each project by integrating with several building lighting control systems. A variety of sensors, drivers and other components can be specified that allow the luminaires to communicate with wired and wireless networks. All zoning can be digitally reconfigured through the application software. Daylight harvesting, occupancy sensing, integration with HVAC systems, and individual controls enable the monitoring and modulating of light levels and temperature in order to save energy, reduce costs and maximize occupants' comfort.



nLight® provides a two-way wired digital lighting system allowing for on/off and dimming functionality, occupancy sensing, and multi-zone daylight harvesting.

Acuity nLight - 1% Dimming (NLT1)
Acuity Model #nEPS-60-IO

CAT-5 Cable provided by others. Serial labels will be provided on outside of luminaires and control unit.



Enlighted smart sensor allows for occupancy sensing, daylight harvesting, energy usage, temperature and light level control. Communicates wirelessly with the Enlighted network.

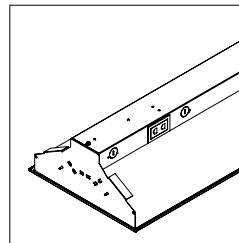
Enlighted Smart Sensor - 1% Dimming (ENL1)
Enlighted Model #SU-4E-01



Connected Lighting Module (CLM) enables each luminaire to be independently controlled and configured. Communicates wirelessly with Daintree Networks®, Osram ENCELIUM®, Osram Simplux™ and other networks using the ZigBee® HA communication protocol to allow for on/off and dimming functionality, occupancy sensing and multi-zone daylight harvesting.

Osram CLM - 1% Dimming (CLM1)
Osram Model #ZBHA-CLM DIM

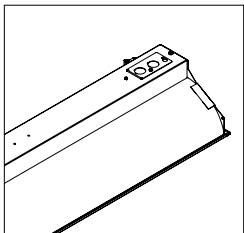
Serial labels will be provided on outside of luminaires and control unit.



A Digital Lighting Management (DLM) system that provides two-way wired communication between networked luminaires and control system to allow for on/off and dimming functionality, occupancy sensing and multi-zone daylight harvesting.

Wattstopper DLM - 1% Dimming (DLM1)
Wattstopper Model #LMFC-011

CAT-5 Cable provided by others. Serial labels will be provided on outside of luminaires and control unit.



A two-way digital network that enables on/off and dimming functionality, occupancy sensing, and multi-zone daylight harvesting working with Quantum®, Energi Savr Node™, and Energi TriPak® using EcoSystem® communication protocol.

Lutron Hi-Lume EcoSystem - 1% Dimming (LH1)
Lutron Model #LDE1
Lutron 5-Series EcoSystem - 5% Dimming (LU5)
Lutron Model #LDE5

CONNECTED SOLUTIONS DETAILS

Connected Solution	Model #	Protocol	Compatible Networks*	Occupancy	Daylight	Temperature Reporting	Communication to Luminaire	Drivers
Acuity nLight (NLT1)	nEPS-60-IO**	nLight	nLight	Enabled	Enabled	No	Wired	eldoLED ECOdrive , eldoLED SOLOdrive
Enlighted Smart Sensor (ENL1)	SU-4E-01**	Enlighted RF	Enlighted	Integrated	Integrated	Yes	Wireless	Philips SimpleSet , Osram Optotronic
Legrand Wattstopper DLM (DLM1)	LMFC-011**	DLM	DLM	Enabled	Enabled	No	Wired	Philips SimpleSet , Osram Optotronic
Lutron EcoSystem (LH1 & LU5)	LDE1,** LDE5**	EcoSystem	Quantum, Energi Savr Node, Energi TriPak	Enabled	Enabled	No	Wired	Lutron Hi-Lume Lutron 5-Series
Osram CLM (CLM1)	ZBHA-CLM**	ZigBee HA	Osram ENCELIUM & Simplux, Daintree Networks	Enabled	Enabled	No	Wireless	Osram Optotronic

*Not all compatible networks may be listed. **For performance data and additional control system details please visit the connected solutions manufacturer websites. Primary drivers are listed in bold. To specify a particular driver please consult factory.

Luna™ 1x4

LED

FLUL-14-PS-2500L-35K-1C-120-LD1-G-WH

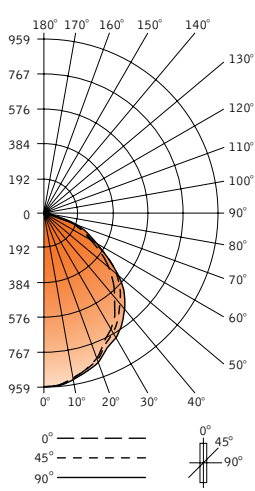
Lumens: 2510lm

Filename: FLUL14PS2500L35K.IES

System Watts: 32 W

LPW: 78

CANDLEPOWER DISTRIBUTION



Vertical Angle	Horizontal Angle			
	0°	22.5°	45°	67.5° 90°
0°	948	948	948	948
5°	954	945	938	939 940
15°	907	901	899	904 907
25°	823	920	828	845 853
35°	708	710	734	763 774
45°	564	578	616	644 653
55°	403	432	467	465 463
65°	242	277	272	287 294
75°	120	119	133	141 144
85°	25	27	28	29 29
90°	0	0	0	0 0
95°	0	0	0	0 0
105°	0	0	0	0 0
115°	0	0	0	0 0
125°	0	0	0	0 0
135°	0	0	0	0 0
145°	0	0	0	0 0
155°	0	0	0	0 0
165°	0	0	0	0 0
175°	0	0	0	0 0
180°	0	0	0	0 0

LUMEN SUMMARY

Zone	Lumens	% Fixture
0-30°	728	29
0-40°	1187	47
0-60°	2060	82
0-90°	2510	100.0
Total Luminaire 0-180°	2510	100.0

LUMINANCE DATA (CD/M²)

Vertical Angle	0°	45°	90°
45°	2386	2609	2763
55°	2103	2437	2414
65°	1713	1926	2084
75°	1385	1543	1667
85°	863	975	1010

Go to www.focalpointlights.com for additional photometric data.