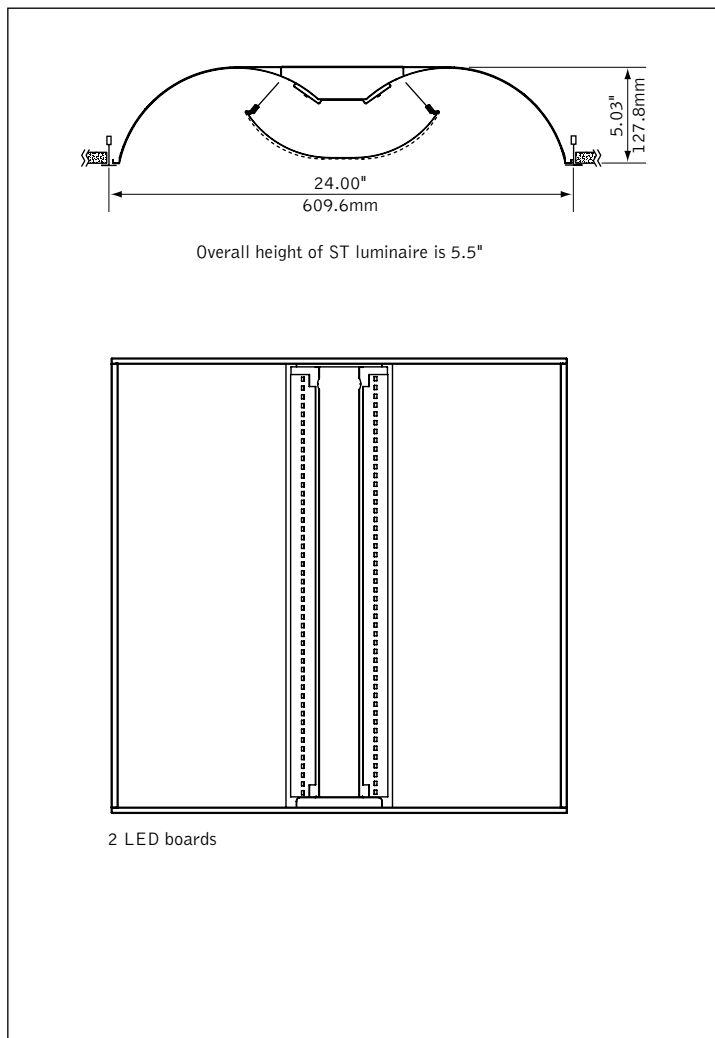


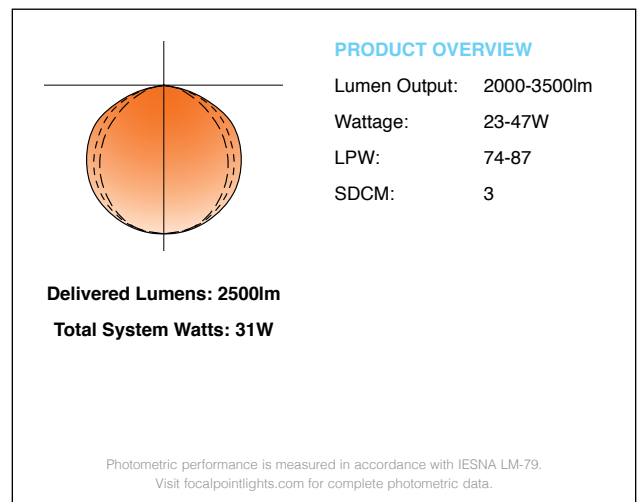
DIMENSIONAL DATA



FEATURES

- Architectural recessed LED luminaire with perforated center basket.
- Classic style updated with the latest technology.
- Reflector and end caps form seamless one-piece housing.
- High reflectance, low gloss Matte White finish controls glare.
- Comparable output to fluorescent versions with reduced wattage.
- Luna[®] LED provides high angle uniform distribution ideal for comfortable general illumination.
- Connected Solutions: Integrates with wired and wireless building lighting control systems.
- Preferred Light: Lighting for better color rendition and human preference.

PERFORMANCE



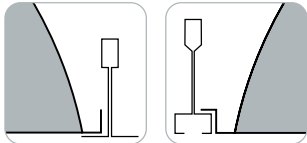
fixture:

project:

MOUNTING INFORMATION

grid

specify "G" for flat 9/16" and 15/16" tee or "ST" for 9/16" slot tee grid types.

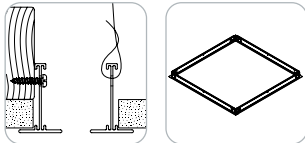


"G" flat tee "ST" slot tee

Overall height for ST luminaire is 5.50".

drywall frame kit

specify "DF" Drywall Frame Kit for drywall ceiling conditions.



Use tie-wire or screws to secure frame kit.

cut out dimensions:
2": Min: 24.25"
Max: 24.563"

SPECIFICATIONS

LED System

Proprietary linear LED module incorporates premium LEDs on a robust platform to achieve excellent thermal management. LEDs are placed to promote a uniform appearance. Available in 3000K, 3500K or 4000K with CRI>80. 0-10V dimming driver standard. LED modules and drivers are replaceable.

Construction

One-piece 20 Ga. steel reflector and housing, 20 Ga. steel ends form finished housing. LEDs are shielded by detachable 22 Ga. steel perforated shield with acrylic lens insert. LED shield is secured by four spring-pins allowing shield to hinge down for maintenance. Top access 20 Ga. steel driver compartment. Weight: 29 lbs.

Optic

One-piece 20 Ga. steel reflectors finished in Matte Satin White powder coat.

Electrical

Standard 120-277V driver includes 0-10V analog dimming, dimming range 100% - 10% Power factor > .9.

Emergency Battery

Bodine BSL310-CAN. Emergency output—10 watts for 90 minutes.
Bodine BSL20LV (U.S. only). Emergency output—20 watts for 90 minutes.

Labels

UL and cUL Listed. Suitable for Dry or Damp Locations, indoor use only.

Finish

Polyester powder coat applied over a multi-stage pre-treatment.

Lumen Maintenance

Reported: L70 at >60,000 hours Calculated: L70 at 124,000 hours
L80 at >60,000 hours L80 at 78,000 hours
Derived from EPA TM-21 calculator. Based on typical conditions, consult factory for additional data.

Reliability

At Focal Point, our products are designed to stand the test of time. Each luminaire is engineered using superior components, manufactured with the utmost care and rigorously tested. Contact us for reliability data.

Lifetime and warranty

LED System rated for operation in ambient environments up to 25°C. 5-year limited warranty.

PERFORMANCE CHART

Delivered Lumens	Tested System Watts	LPW
2000 Lumens	23	87
2500 Lumens	31	81
3000 Lumens	39	77
3500 Lumens	47	74

Lumen output may vary +/- 5%. Actual wattage may vary +/- 5%. Preferred Light lumen multiplier = 0.65.

Focal Point LLC reserves the right to change specifications for product improvement without notification.

ORDERING

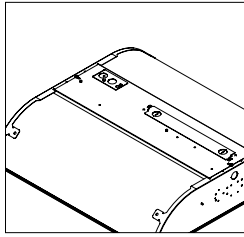
Luminaire Series	FLUL	FLUL
Luna LED	FLUL	
Nominal Size	22	22
2' x 2'	22	
Shielding	PS	PS
Perforated Shield	PS	
Lumen Output		
2000 Lumens	2000L	
2500 Lumens	2500L	
3000 Lumens	3000L	
3500 Lumens	3500L	
Color Temperature		
3000K	30K	
3500K	35K	
4000K	40K	
3500K Preferred Light	P35K	
Circuit	1C	1C
Single Circuit	1C	
Voltage		
UNV 120/277 Volt	UNV	
347 Volt	347	
(LD1 only)		
Control System & Dimming Level		
0-10V - 1% Dimming	L11	
0-10V - 10% Dimming	LD1	
Lutron Hi-Lume EcoSystem (LDE1) - 1% Dimming	LH1	
Lutron 5-Series EcoSystem (LDE5) - 5% Dimming	LU5	
Acuity nLight - 1% Dimming	NLT1	
(Not available with CP)		
Enlighted Smart Sensor - 1% Dimming	ENL1	
Osram Connected Lighting Module - 1% Dimming	CLM1	
(Compatible with Daintree Networks & Osram ENCELIUM and Simlux systems.)		
Wattstopper DLM - 1% Dimming	DLM1	
Mounting		
24" Aircraft Cable	C24	
48" Aircraft Cable	C48	
96" Aircraft Cable	C96	
Drywall Frame Kit (LD1, L11, LH1 & LU5 only) (Cut out dimensions: Min: 24.25"/Max: 24.563")	F	
Grid	G	
Slot Tee	ST	
Surface Mount (Not available with DLM1 or NLT1)	SM	
Factory Options		
Air Return (Adds 0.875" to overall height)	AR	
Chicago Plenum	CP	
Bodine BSL310 Emergency Battery (Adds 3.25" to overall height)	B310	
Bodine BSL20 High Output Emergency Battery (Adds 3.25" to overall height. U.S. Only)	B20	
Positional Clips	EQ	
6' New York City Flex Whip (120V)	FNY1	
6' New York City Flex Whip (277V)	FNY2	
6' Flex Whip	FW	
Finish	WH	WH
Matte Satin White	WH	



Options in orange qualify for the Quickship program. 5-day up to 100 pieces, 10-day up to 300 pieces. Refer to Quickship Guide for complete details.

For more information visit focalpointlights.com/reference or consult factory.

Focal Point provides flexibility in meeting the needs of each project by integrating with several building lighting control systems. A variety of sensors, drivers and other components can be specified that allow the luminaires to communicate with wired and wireless networks. All zoning can be digitally reconfigured through the application software. Daylight harvesting, occupancy sensing, integration with HVAC systems, and individual controls enable the monitoring and modulating of light levels and temperature in order to save energy, reduce costs and maximize occupants' comfort.



nLight[®] provides a two-way wired digital lighting system allowing for on/off and dimming functionality, occupancy sensing, and multi-zone daylight harvesting.

Acuity nLight - 1% Dimming (NLT1)
Acuity Model #nEPS-60-IO

CAT-5 Cable provided by others. Serial labels will be provided on outside of luminaires and control unit.



Enlighted smart sensor allows for occupancy sensing, daylight harvesting, energy usage, temperature and light level control. Communicates wirelessly with the Enlighted network.

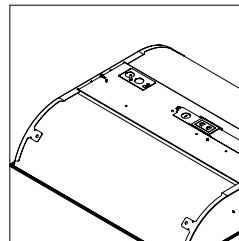
Enlighted Smart Sensor - 1% Dimming (ENL1)
Enlighted Model #SU-4E-01



Connected Lighting Module (CLM) enables each luminaire to be independently controlled and configured. Communicates wirelessly with Daintree Networks[®], Osram ENCELIUM[®], Osram Simplux[™] and other networks using the ZigBee[®] HA communication protocol to allow for on/off and dimming functionality, occupancy sensing and multi-zone daylight harvesting.

Osram CLM - 1% Dimming (CLM1)
Osram Model #ZBHA-CLM DIM

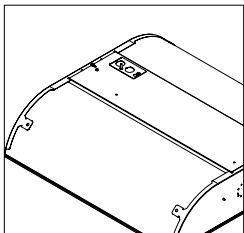
Serial labels will be provided on outside of luminaires and control unit.



A Digital Lighting Management (DLM) system that provides two-way wired communication between networked luminaires and control system to allow for on/off and dimming functionality, occupancy sensing and multi-zone daylight harvesting.

Wattstopper DLM - 1% Dimming (DLM1)
Wattstopper Model #LMFC-011

CAT-5 Cable provided by others. Serial labels will be provided on outside of luminaires and control unit.



A two-way digital network that enables on/off and dimming functionality, occupancy sensing, and multi-zone daylight harvesting working with Quantum[®], Energi Savr Node[™], and Energi TriPak[®] using EcoSystem[®] communication protocol.

Lutron Hi-Lume EcoSystem - 1% Dimming (LH1)
Lutron Model #LDE1

Lutron 5-Series EcoSystem - 5% Dimming (LU5)
Lutron Model #LDE5

CONNECTED SOLUTIONS DETAILS

Connected Solution	Model #	Protocol	Compatible Networks*	Occupancy	Daylight	Temperature Reporting	Communication to Luminaire	Drivers
Acuity nLight (NLT1)	nEPS-60-IO**	nLight	nLight	Enabled	Enabled	No	Wired	eldoLED ECOdrive , eldoLED SOLOdrive
Enlighted Smart Sensor (ENL1)	SU-4E-01**	Enlighted RF	Enlighted	Integrated	Integrated	Yes	Wireless	Philips SimpleSet , Osram Optotronic
Legrand Wattstopper DLM (DLM1)	LMFC-011**	DLM	DLM	Enabled	Enabled	No	Wired	Philips SimpleSet , Osram Optotronic
Lutron EcoSystem (LH1 & LU5)	LDE1,** LDE5**	EcoSystem	Quantum, Energi Savr Node, Energi TriPak	Enabled	Enabled	No	Wired	Lutron Hi-Lume Lutron 5-Series
Osram CLM (CLM1)	ZBHA-CLM**	ZigBee HA	Osram ENCELIUM & Simplux, Daintree Networks	Enabled	Enabled	No	Wireless	Osram Optotronic

*Not all compatible networks may be listed. **For performance data and additional control system details please visit the connected solutions manufacturer websites. Primary drivers are listed in bold. To specify a particular driver please consult factory.

Luna™ 2x2

LED

FLUL-22-PS-2500L-35K-1C-120-LD1-G-WH

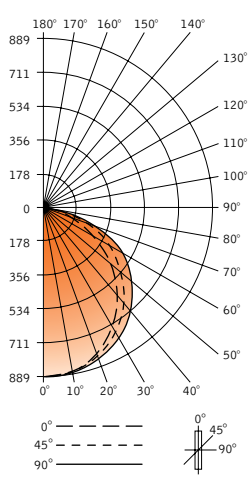
Lumens: 2500lm

Filename: FLUL22PS2500L35K.IES

System Watts: 31W

LPW: 81

CANDLEPOWER DISTRIBUTION



Vertical Angle	Horizontal Angle				
	0°	22.5°	45°	67.5°	90°
0°	889	889	889	889	889
5°	882	883	883	884	885
15°	839	842	849	856	860
25°	760	766	784	803	813
35°	656	666	698	728	743
45°	517	539	585	628	652
55°	369	404	461	514	542
65°	226	264	323	361	387
75°	113	135	162	184	194
85°	25	29	33	36	38
90°	0	0	0	0	0
95°	0	0	0	0	0
105°	0	0	0	0	0
115°	0	0	0	0	0
125°	0	0	0	0	0
135°	0	0	0	0	0
145°	0	0	0	0	0
155°	0	0	0	0	0
165°	0	0	0	0	0
175°	0	0	0	0	0
180°	0	0	0	0	0

LUMEN SUMMARY

Zone	Lumens	% Fixture
0-30°	685	27.4
0-40°	1121	44.9
0-60°	1981	79
0-90°	2499	100.0
Total Luminaire 0-180°	2500	100.0

LUMINANCE DATA (CD/M²)

Vertical Angle	Horizontal Angle		
	0°	45°	90°
45°	2137	2421	2700
55°	1884	2351	2764
65°	1566	2234	2616
75°	1279	1829	2194
85°	823	1104	1269

Go to www.focalpointlights.com for additional photometric data.