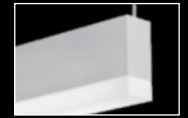


trimless mud-in



grid



suspended pop-down lens companion



flush lens companion



regress lens companion



wall to ceiling companion

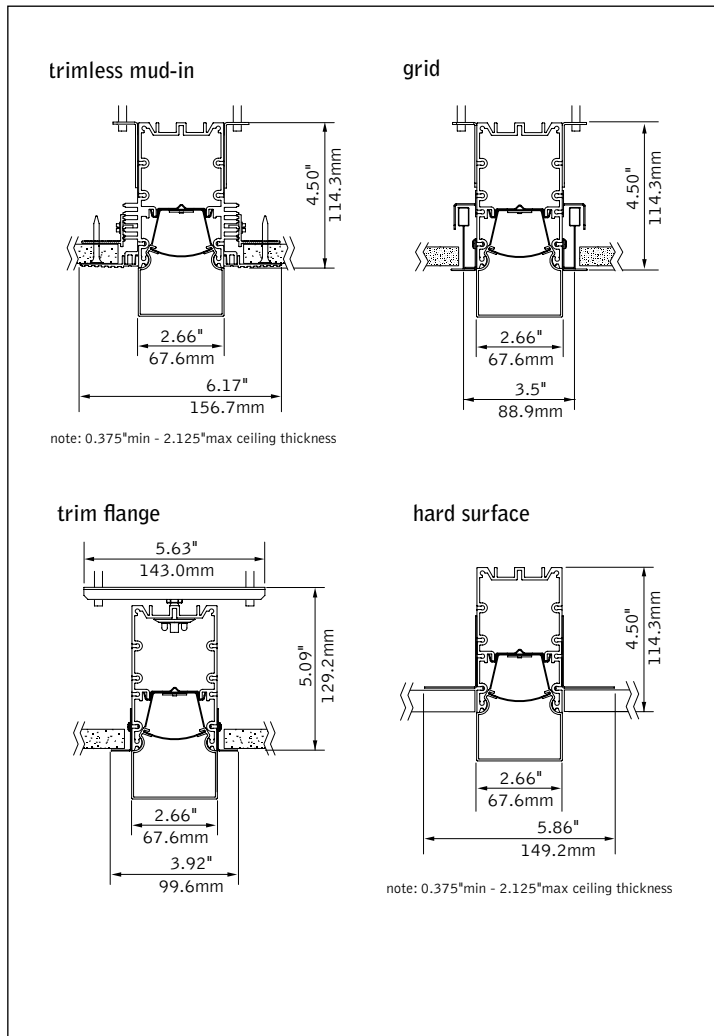


suspended & wall mount companions



perimeter companion

DIMENSIONAL DATA



FEATURES

2.5" aperture recessed LED slot with 1.5" pop-down lens.

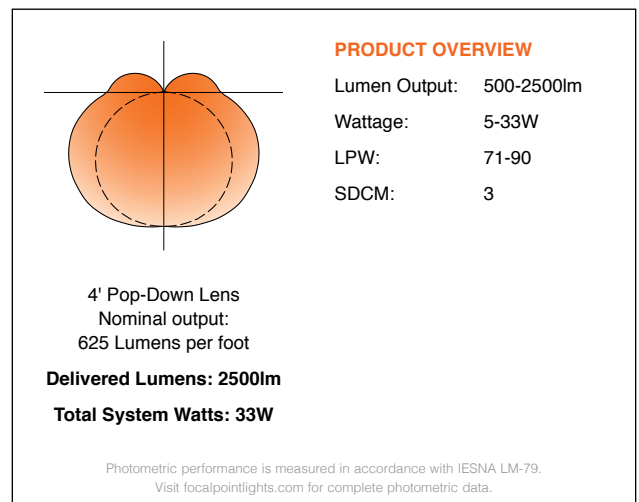
Integrates with ceiling in a variety of mounting styles for a clean aesthetic.

Dimensional frosted acrylic lens provides uninterrupted illumination, without pixels or shadows.

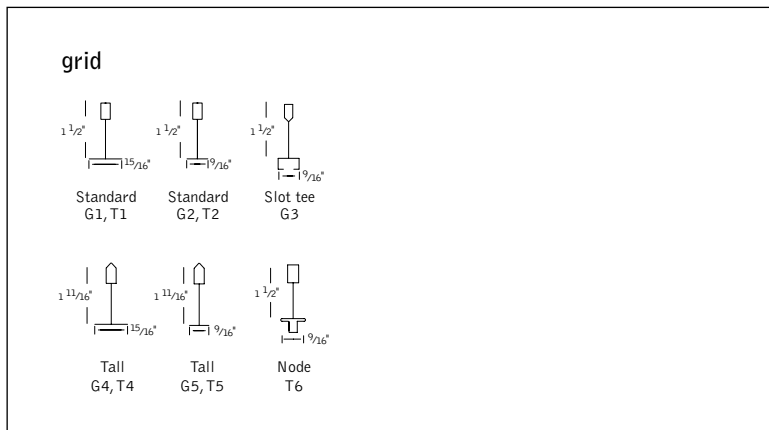
LED position and lens material optimized to provide the perfect blend of high performance and visual comfort.

Preferred Light: Lighting for better color rendition and human preference.

PERFORMANCE



DETAILS



SPECIFICATIONS

LED System

Proprietary linear LED module incorporates premium LEDs on a robust platform to achieve excellent thermal management. LEDs are placed to promote a uniform appearance. Available in 3000K, 3500K, 4000K with CRI>80, 3SDCM. LED modules and drivers are replaceable from below.

Construction

One piece extruded aluminum housing. 20 Ga. steel end caps. Housing for new construction applications. 2' unit weight: 5.1 lbs., 3' unit weight: 7.6 lbs., 4' unit weight: 10.1 lbs., 5' unit weight: 12.6 lbs.

Optic

Reflectors fabricated of 22 Ga. steel finished in High Reflectance White powder coat. Extruded acrylic lens .06" thick with frosted finish, up to 8' continuous.

Electrical

Luminaires are pre-wired with factory installed branch circuit wiring and over-molded quick connects. Standard 120-277V constant current driver includes 0-10V analog dimming. Power factor > .9.

Emergency Battery

IOTA CP-10. Emergency output - 10 watts for 90 minutes.

Labels

UL and cUL listed. Suitable for Dry or Damp Locations, indoor use only.

Finish

Polyester powder coat applied over a multi-stage pre-treatment.

Lumen Maintenance

Reported: L70 at >61,000 hours Calculated: L70 at 480,000 hours
 L90 at >61,000 hours L90 at 125,000 hours

Derived from EPA TM-21 calculator. Based on typical conditions, consult factory for additional data.

Reliability

At Focal Point, our products are designed to stand the test of time. Each luminaire is engineered using superior components, manufactured with the utmost care and rigorously tested. Contact us for reliability data.

Warranty

LED system rated for operation in ambient environments up to 25°C. 5-year limited warranty.

4' PERFORMANCE CHART

Shielding	Lumens per Foot	Delivered Lumens	Tested System Watts	LPW
1.5" Pop-Down Lens	125LF	500	5	90
	250LF	1000	13	75
	375LF	1500	19	74
	625LF	2500	33	71

Based on 3500k, 4' lengths. Lumen output may vary +/- 7%. Actual wattage may vary +/- 5%. Preferred Light lumen multiplier = 0.65.

ORDERING

Luminaire Series	FSM2L
Seem 2 LED	FSM2L
Shielding	PD
1.5" Pop-Down Lens	PD
Lumen Output	
125 Lumens per foot <small>(LD1, L11 & D11 only. 4' minimum.)</small>	125LF
250 Lumens per foot <small>(Not available with LU5 & LH1. 4' minimum with D11.)</small>	250LF
375 Lumens per foot <small>(4' minimum with LU5, LH1 & D11)</small>	375LF
625 Lumens per foot <small>(3' minimum with LU5 & LH1 Drivers)</small>	625LF
Color Temperature	
3000K	30K
3500K	35K
4000K	40K
3500K Preferred Light <small>(Not available with Emergency Battery)</small>	P35K
Circuit	1C
Single Circuit	1C
Voltage	UNV
120/277 UNV Volt	UNV
Control System & Dimming Level	
0-10V - 10% Dimming	LD1
0-10V - 1% Dimming	L11
Lutron Hi-Lume EcoSystem (LDE1) - 1% Dimming	LH1
Lutron 5-Series EcoSystem (LDE5) - 5% Dimming	LU5
DALI 1% Dimming	D11
Ceiling Configuration	
Std. 15/16" Lay-in	G1
Std. 15/16" Tegular	T1
Std. 9/16" Lay-in	G2
Std. 9/16" Tegular	T2
9/16" Slot-tee Tegular	G3
Tall 15/16" Lay-in	G4
Tall 15/16" Tegular	T4
Tall 9/16" Lay-in	G5
Tall 9/16" Tegular	T5
Node 9/16" Tegular	T6
Trim Flange Drywall	TF
Trim Flange Wood	TFW
Mud-in Trimless,	XF1
pre-set for 1/2" Drywall	
Mud-in Trimless,	XF2
pre-set for 5/8" Drywall	
Mud-in Trimless,	XFF
set thickness in field <small>(Mounting equipment assembled in field)</small>	
Non-Drywall Hard Surface	XFN
Hard Surface, Wood	XFW
Factory Options	
Chicago Plenum	CP
Emergency Circuit	EC
Emergency Battery Pack <small>(4' lengths or longer)</small>	EM
6' New York City Flex Whip (120V)	FNY1
6' New York City Flex Whip (277V)	FNY2
6' Flex Whip	FW
Finish	WH
Matte White Housing	WH
Luminaire Length	
<small>(Lengths are nominal)</small>	
2'	2'
3'	3'
4'	4'
5'	5'
6'	6'
7'	7'
8'	8'
<small>(Smaller increments available. Consult factory for details.)</small>	

Seem[®] 2

LED - POP-DOWN LENS

FSM2L-PD-625LF-35K-LD1-WH-4'

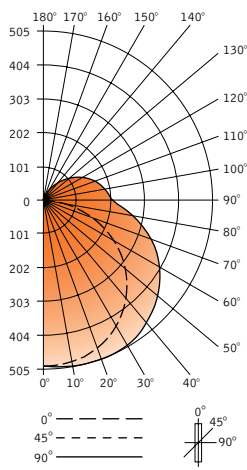
Filename: FSM2LPD625LF35K.IES

Lumens: 2437lm

System Watts: 36W

LPW: 67

CANDLEPOWER DISTRIBUTION



Vertical Angle	Horizontal Angle				
	0°	22.5°	45°	67.5°	90°
0°	498	498	498	498	498
5°	496	500	499	501	502
15°	481	491	496	503	505
25°	448	464	478	495	501
35°	398	421	450	474	482
45°	335	368	407	437	447
55°	265	310	355	392	404
65°	188	239	297	339	353
75°	109	168	233	276	291
85°	39	102	167	211	226
90°	10	75	140	184	200
95°	9	67	130	174	189
105°	8	56	117	158	172
115°	6	42	98	137	151
125°	4	26	75	110	123
135°	3	10	50	80	90
145°	1	1	22	48	56
155°	0	0	2	15	22
165°	0	0	0	0	0
175°	0	0	0	0	0
180°	0	0	0	0	0

LUMEN SUMMARY

Zone	Lumens	% Fixture
0-40°	688	28.2
0-60°	1308	53.7
0-90°	1991	81.7
Total Luminaire 0-180°	2437	100.0

LUMINANCE DATA (CD/M²)

Vertical Angle	Horizontal		
	0°	45°	90°
45°	4200	3707	3714
55°	4025	3527	3580
65°	3762	3354	3461
75°	3364	3165	3306
85°	2825	2960	3170

Go to www.focalpointlights.com for additional photometric data.