

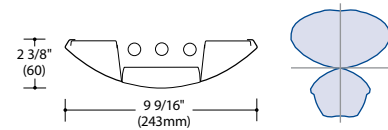
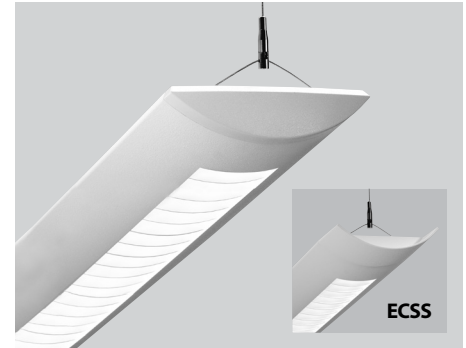
Arcos Pendant Indirect /Direct

Fixture Type:

Project Name:

Ordering Guide

Feature	Code	Options	Description
Series		59	Arcos
Mounting		P	Pendant
Fixture distribution		ID	Indirect/Direct
Row length (in feet)		----	Enter in foot increments. Note fixture lengths below.
Max length in row		04 08 12	4', 1219mm 8', 2438mm 12', 3658mm
Diffuser		PS PW PA PSO PWO PAO SGL	Parabolic Baffle, Semi Specular Aluminum Parabolic Baffle, White Parabolic Baffle, Silver Parabolic Baffle, Semi-Specular w/Overlay Parabolic Baffle, White w/Overlay Parabolic Baffle, Silver w/Overlay Soft Glow Lens
Finish/Color		C1 C2 C3 C4 C5 C6 CC	CWM-Matte White TCWM-Textured, Matte White CSL-Light Silver CMA-Machined Aluminum CCB-Carbon Black TCBC-Textured, Camera Black CXY-Custom Color
Lamping		1T5 1T5HO 1T8 2T5 2T5HO 2T8 3T5 3T5HO 3T8	1-Light T5 Lamping 1-Light T5HO Lamping 1-Light T8 Lamping 2-Light T5 Lamping 2-Light T5HO Lamping 2-Light T8 Lamping 3-Light T5 Lamping 3-Light T5HO Lamping 3-Light T8 Lamping
Ballast (non-dimming T5/HO)		NPN	Electronic, program-start
Ballast (non-dimming T8)		NIN NPN NIL NPL NIH NPH	Electronic Electronic, program-start Electronic, low-wattage Electronic, low-wattage, program-start Electronic, high light output Electronic, high light output, program-start
Ballast (dimming)		010V LVD DALI LLS	0-10V Dimming Line Voltage Dimming Dali System Light Level Switching 50/100 See <i>Ballast</i> section for additional dimming ballast options
Circuiting		1C 2C AC AF	1 Circuit 2 Circuit-In Board/ Out Board Alternate Lamp Compartment Switching Alternate Fixture Switching
Voltage		UNV 120 277 347	Universal Voltage 120 Volt 277 Volt 347 Volt



Key Features

- Steel housing
- Arcuate shape

CS™ Control Solutions available

Quick Find litecontrol.com

59-P-ID

Arcos Pendant Indirect /Direct

Ordering Guide (continued)

Suspension kit		FA1 FA2 FA3 FA4	Suspension Kit, 51" Suspension Kit, 87" Suspension Kit, 219" Suspension Kit, 363" *Add suffix /V to replace all 2" non-feed canopy covers with 5" canopy covers. FA1/V = 51" suspension kit w/5" canopies.
Optional Features	Code	Options	Description
Nightlight		_NL	Nightlight Circuit Required. Enter quantity. 2NL = 2 nightlight circuits/row
Emergency		_EF	Emergency Battery Required. Enter quantity. 2EF = 2 emergency batteries/row
Thru-wiring		W1 W2 W3 W4	No Thru Wire Provide Normal and Emergency Thru Wiring* Provide Normal Thru Wiring Only Provide Emergency Thru Wiring Only *Only applicable when specified with emergency
Suspension-Stems		P6S SCP6 EQP6	Standard Stem Assy Sloped Ceiling, P6 Stem Assy Earthquake, P6 Stem Assy
End cap		ECSS	End Cap, Shelf Style
Sensors		_SD1 _SO2	Daylight Sensor Required. Enter quantity. 2SD1 = 2 daylight sensors/row Occupancy Sensor Required. Enter quantity. 1SO2 = 2 occupancy sensors/row
Data connection		_DCF	Data connection cables required. Enter quantity. 2DCF = 2 cables/row
Pattern boxes		C90 C135 TEE CROSS	Non-lighted Corner connector, 90 Non-lighted Corner connector, 135 Pattern Box, "T" Shape Pattern Box, "X" Shape
Covers		L1 L2 L3 CV DS DP	Lens Kit, Dust Cover Cover, PFCV20/80 Cover, PFCV40/60 Cover, 100% Down Separator Reflector, Solid Separator Reflector, Perf
Fuse		F	Fuse

Arcos Pendant Indirect /Direct

Details

Construction:

Housing-steel. Perforated areas are 1 3/4" wide. At center of 8' fixtures, perforations are interrupted for 6 1/2" to match patterns of joined 4' fixtures. End caps-die-cast. Sculpted-style is standard. "Shelf-style" (ECSS) available as option.

Mounting:

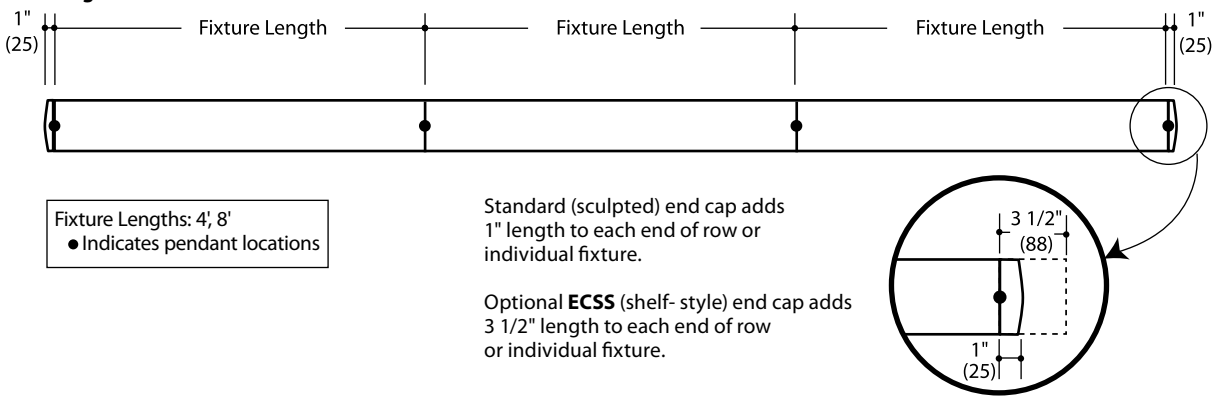
Suspension Assemblies

Provided with 3/64" diameter field adjustable aircraft cables (FAI/ACC) in 51" lengths (4' nominal). Longer length aircraft cables of 87" and 219" are available upon request. See Stems & Aircraft Cables sheets for further details.

Suspension Mounting Locations

Pendant locations at ends of rows. Yoke with field adjustable aircraft cable attach directly to the end header at fixture end or row joint. Allows for horizontal adjustment to "fine-tune" side-to-side leveling.

Row diagram



Distribution:

65/35 (nominal) indirect/direct.

Downlight diffuser (I/D only):

PS-Parabolic Baffle, Semi Specular Aluminum
 PW-Parabolic Baffle, White
 PA-Parabolic Baffle, Silver
 PSO-Parabolic Baffle, Semi-Specular w/Overlay
 PWO-Parabolic Baffle, White w/Overlay
 PAO-Parabolic Baffle, Silver w/Overlay
 SGL-Soft Glow Lens

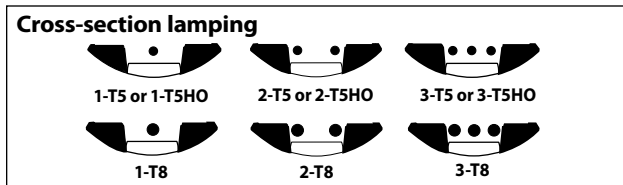
Finish/Color:

Visit www.litecontrol.com/finishes for details.

Lamping:

Indirect/Direct

Available in one, two or three-lamp T5/T5HO & T8 configurations.



Ballast:

Electronic Ballast (ELB is for T8 lamping or ELB/PS is for T5/T5HO lamping), electronic, high power factor, thermally protected Class P, Sound Rated A, less than 10% THD, manufactured by a UL Listed manufacturer, as available, determined by Litecontrol. Ballasts with a voltage range of 120 to 277 will be used when fixture configuration and ballast availability allow. The minimum number of ballasts will be used.

Additional Dimming Ballast Options:

LE30	Lutron EcoSystem-3 Wire	(Normal Ballast Factor)
LEH0	Lutron EcoSystem-H Series	(Normal Ballast Factor)
LEH7	Lutron EcoSystem-H Series	(High Ballast Factor)
LEI0	Lutron EcoSystem-Intelligent	(Normal Ballast Factor)
LH3D	Lutron HiLume 3D-3 Wire	(Normal Ballast Factor)
LH37	Lutron HiLume 3D-3 Wire	(High Ballast Factor)
LHHL	Lutron HiLume-Traditional	(Normal Ballast Factor)
LHID	Lutron HiLume-3D Intelligent	(Normal Ballast Factor)
LHI7	Lutron HiLume-3D Intelligent	(High Ballast Factor)

Circuiting:

1C (1 Circuit) Fixture wired for a single circuit.

2C (2 Circuit in-board, out-board) Inner & outer lamps are switched separately.

AC (alternate lamp compartment switching) Fixtures wired so every other lamp section can be separately switched/dimmed

AF (alternate fixture switching) Fixtures wired so every other fixture segment can be separately switched/dimmed

Arcos Pendant Indirect /Direct

Details (continued)

Suspension Kit:

3/64" diameter field-adjustable aircraft cable. Ship separately. Suspension required at every row joint. Mounting points are exactly 36", 48", 72" & 96" (3', 4', 6', 8' fixture lengths respectively)

Nightlight:

See separate LC-Nightlight spec sheet for additional details.

Emergency:

Battery-powered ballast from a listed manufacturer will operate one lamp for 90 minutes.

Thru wiring:

See separate LC-Thruwire spec sheet for additional details.

Canopy covers:

Non-feed-2" diameter (unless 5" non-feed cover is specified). Feed-5" diameter.

Sensors:

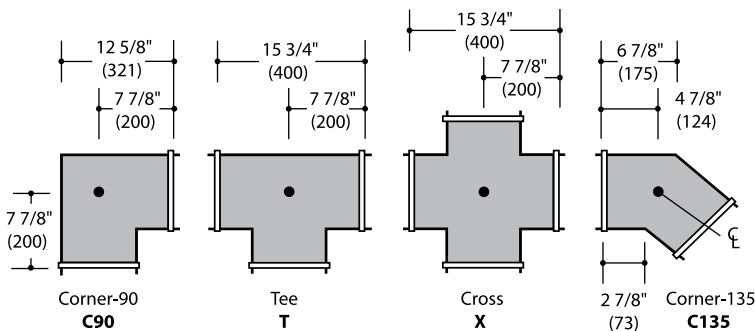
Daylight sensor only (Wattstopper part# FD301). Installs between diffusers. See separate LC-Controls spec sheet for additional details.

Data Connection:

Lutron EcoSystem data feed

Pattern Boxes:

Extruded aluminum, non-perforated. Each box shall have a rigid cross-member with a .687" diameter stem hole at center to accept pendant assemblies.



Fuse:

Slow or fast blow; determined by Litecontrol.

Feed cord:

3-wire, 5 amps max; 4-wire, 7 amps max; 5-wire, 5 amps max.

Ratings:

CSA listed for damp locations. IBEW. AF of L.

Warranty:

1 year
see www.litecontrol.com for details

Arcos Pendant Indirect /Direct

Photometry

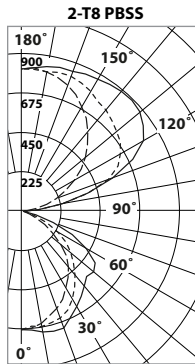
Fixture: 59-P-ID-04-PA-CX-2T8

Lamping: 2-T8

Efficiency: 85%

Distribution: 65/35

Test report:



ZONAL LUMEN SUMMARY			
ZONE	LUMENS	% LAMP	% LUMINAIRE
180-90°	3240	55.86	65.47
90-0°	1708	29.46	34.53
180-0°	4948	85.32	100.00

 **Quick Find** litecontrol.com

59-P-ID