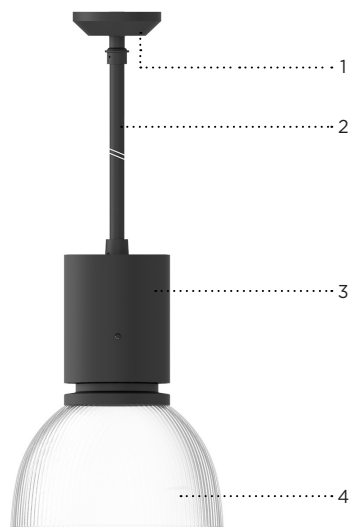


TYPE: _____ QUANTITY: _____ PROJECT: _____

CATALOG NUMBER:

FIXTURE WATTAGE VOLTAGE FINISH OPTION OPTION OPTION OPTION



- 1- Standard heavy duty 45° hang straight swivel, with 5" diameter (127) canopy and universal mounting plate.
- 2- 7/8" diameter (22) X36" long (914) suspension stem with aircraft safety cable.
Other lengths available on request (specify STM with desired length).
- 3- Extruded aluminum driver housing.
- 4- **PR1280:** Diffused acrylic prismatic refractor.
PR1285: Aluminum reflector.
Inner surface: multi-faceted specular anodized.
Exterior surface: Satin anodized natural aluminum.
Alternate exterior finish (Option RP2)

PR1280



PR1285



MATERIALS

Prisma is made of an extruded aluminum housing designed to optimize the functionality of the driver and solid state components.

Prisma is available with a choice of two interchangeable reflectors.

- Aluminum reflector designed to optimize light source performance and uniformity.
- Diffused acrylic prismatic refractor with a linear peripheral pattern providing general upward illumination with efficient down lighting.

ELECTRICAL

LED

DRIVER Standard driver is 0-10V dimming-ready (dims to 1%) with: 120-277 multi-volt compatibility (50-60Hz), operating temperature range of -20°C/-4°F to +50°C/122°F, output over voltage protection, output over current protection and output short circuit protection with auto-recovery.

LED Standard 4000K CCT/80 CRI. Other CCTs available from 2700K to 3500K. Optional 97 CRI for critical color rendering. See electrical options.

LIFE

125,000hrs L₇₀B₅₀ (calculated projection from LM-80 data).

FINISH

Polyester powder coating is applied through an electrostatic process and oven cured for long term finish.

MOUNTING

Maximum weight: 10lbs (4.5 kg)

Mounts on a standard 4" (102) octagonal electrical box with 3 1/2" (89) C/C mounting holes.

Fixture must be installed on a finished ceiling for exterior applications and/or when exposed to inclement weather.

CERTIFICATION

Tested to UL1598 and CSA 22.2 #250.

ETL listed damp location (exception: DMX models are dry location).

Photometric testing per LM79-2008, LED Light source with LM80 certified testing. CE certification on request.

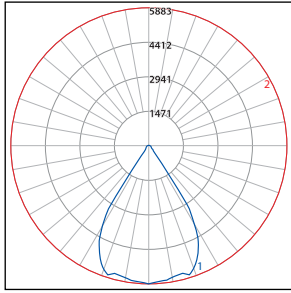
Rated IP20.



PR1280/PR1285 SERIES

PRISMA 12" - LED

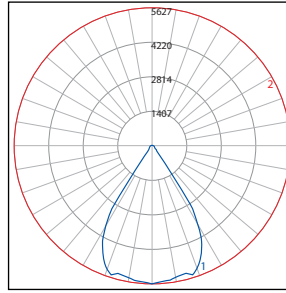
TYPICAL PHOTOMETRY SUMMARY



PR1280-L1L60

Descriptive Information

Total delivered lumens: 6131 Lumens
 Input watts at 120V: 47.7 W
 Efficacy: 128 Lumens/Watt
 Source: LED
 CCT/CRI: 4000K/80CRI
 Maximum Candela = 5,883 @ 0°H/0°V





PR1285-L1L60

Descriptive Information

Total delivered lumens: 5865 Lumens
 Input watts at 120V: 45.5 W
 Efficacy: 129 Lumens/Watt
 Source: LED
 CCT/CRI: 4000K/80CRI
 Maximum Candela = 5,627 @ 0°H/0°V

Please visit our web site www.luminis.com for complete I.E.S. formatted download data.

LUMINAIRE SELECTION

MODEL#	LED LIGHT SELECTION	VOLTAGE ¹	FINISH																									
 <input type="checkbox"/> PR1280	<table border="1"> <thead> <tr> <th>SUFFIX</th> <th>INPUT WATTS</th> <th>DELIVERED LUMENS</th> <th>CRI</th> <th>CCT °K</th> </tr> </thead> <tbody> <tr><td><input type="checkbox"/> L1L10</td><td>11W</td><td>1456</td><td rowspan="6">80</td><td rowspan="6">4000K</td></tr> <tr><td><input type="checkbox"/> L1L20</td><td>17W</td><td>2294</td></tr> <tr><td><input type="checkbox"/> L1L30</td><td>24W</td><td>3372</td></tr> <tr><td><input type="checkbox"/> L1L40</td><td>31W</td><td>4153</td></tr> <tr><td><input type="checkbox"/> L1L50</td><td>39W</td><td>5160</td></tr> <tr><td><input type="checkbox"/> L1L60</td><td>48W</td><td>6131</td></tr> </tbody> </table>	SUFFIX	INPUT WATTS	DELIVERED LUMENS	CRI	CCT °K	<input type="checkbox"/> L1L10	11W	1456	80	4000K	<input type="checkbox"/> L1L20	17W	2294	<input type="checkbox"/> L1L30	24W	3372	<input type="checkbox"/> L1L40	31W	4153	<input type="checkbox"/> L1L50	39W	5160	<input type="checkbox"/> L1L60	48W	6131	<input type="checkbox"/> 120V <input type="checkbox"/> 208V <input type="checkbox"/> 240V <input type="checkbox"/> 277V Optional <input type="checkbox"/> 347V	STANDARD COLORS <input type="checkbox"/> WHT Snow white <input type="checkbox"/> BKT Jet black <input type="checkbox"/> BZT Bronze <input type="checkbox"/> MST Matte silver <input type="checkbox"/> GRT Titanium gray <input type="checkbox"/> DGT Gun metal <input type="checkbox"/> CHT Champagne <input type="checkbox"/> SGT Steel gray <input type="checkbox"/> BGT English cream
	SUFFIX	INPUT WATTS	DELIVERED LUMENS	CRI	CCT °K																							
<input type="checkbox"/> L1L10	11W	1456	80	4000K																								
<input type="checkbox"/> L1L20	17W	2294																										
<input type="checkbox"/> L1L30	24W	3372																										
<input type="checkbox"/> L1L40	31W	4153																										
<input type="checkbox"/> L1L50	39W	5160																										
<input type="checkbox"/> L1L60	48W	6131																										
<table border="1"> <thead> <tr> <th>SUFFIX</th> <th>INPUT WATTS</th> <th>DELIVERED LUMENS</th> <th>CRI</th> <th>CCT °K</th> </tr> </thead> <tbody> <tr><td><input type="checkbox"/> L1L10</td><td>11W</td><td>1450</td><td rowspan="6">80</td><td rowspan="6">4000K</td></tr> <tr><td><input type="checkbox"/> L1L20</td><td>17W</td><td>2284</td></tr> <tr><td><input type="checkbox"/> L1L30</td><td>24W</td><td>3093</td></tr> <tr><td><input type="checkbox"/> L1L40</td><td>31W</td><td>4134</td></tr> <tr><td><input type="checkbox"/> L1L50</td><td>38W</td><td>4890</td></tr> <tr><td><input type="checkbox"/> L1L60</td><td>46W</td><td>5865</td></tr> </tbody> </table>	SUFFIX	INPUT WATTS	DELIVERED LUMENS	CRI	CCT °K	<input type="checkbox"/> L1L10	11W	1450	80	4000K	<input type="checkbox"/> L1L20	17W	2284	<input type="checkbox"/> L1L30	24W	3093	<input type="checkbox"/> L1L40	31W	4134	<input type="checkbox"/> L1L50	38W	4890	<input type="checkbox"/> L1L60	46W	5865	OPTIONAL COLORS <input type="checkbox"/> CS Custom color <input type="checkbox"/> RAL RAL# color (Refer to color chart)		
SUFFIX	INPUT WATTS	DELIVERED LUMENS	CRI	CCT °K																								
<input type="checkbox"/> L1L10	11W	1450	80	4000K																								
<input type="checkbox"/> L1L20	17W	2284																										
<input type="checkbox"/> L1L30	24W	3093																										
<input type="checkbox"/> L1L40	31W	4134																										
<input type="checkbox"/> L1L50	38W	4890																										
<input type="checkbox"/> L1L60	46W	5865																										
 <input type="checkbox"/> PR1285	<table border="1"> <thead> <tr> <th>SUFFIX</th> <th>INPUT WATTS</th> <th>DELIVERED LUMENS</th> <th>CRI</th> <th>CCT °K</th> </tr> </thead> <tbody> <tr><td><input type="checkbox"/> L1L10</td><td>11W</td><td>1450</td><td rowspan="6">80</td><td rowspan="6">4000K</td></tr> <tr><td><input type="checkbox"/> L1L20</td><td>17W</td><td>2284</td></tr> <tr><td><input type="checkbox"/> L1L30</td><td>24W</td><td>3093</td></tr> <tr><td><input type="checkbox"/> L1L40</td><td>31W</td><td>4134</td></tr> <tr><td><input type="checkbox"/> L1L50</td><td>38W</td><td>4890</td></tr> <tr><td><input type="checkbox"/> L1L60</td><td>46W</td><td>5865</td></tr> </tbody> </table>	SUFFIX	INPUT WATTS	DELIVERED LUMENS	CRI	CCT °K	<input type="checkbox"/> L1L10	11W	1450	80	4000K	<input type="checkbox"/> L1L20	17W	2284	<input type="checkbox"/> L1L30	24W	3093	<input type="checkbox"/> L1L40	31W	4134	<input type="checkbox"/> L1L50	38W	4890	<input type="checkbox"/> L1L60	46W	5865	<input type="checkbox"/> 120V <input type="checkbox"/> 208V <input type="checkbox"/> 240V <input type="checkbox"/> 277V Optional <input type="checkbox"/> 347V	STANDARD COLORS <input type="checkbox"/> WHT Snow white <input type="checkbox"/> BKT Jet black <input type="checkbox"/> BZT Bronze <input type="checkbox"/> MST Matte silver <input type="checkbox"/> GRT Titanium gray <input type="checkbox"/> DGT Gun metal <input type="checkbox"/> CHT Champagne <input type="checkbox"/> SGT Steel gray <input type="checkbox"/> BGT English cream
	SUFFIX	INPUT WATTS	DELIVERED LUMENS	CRI	CCT °K																							
<input type="checkbox"/> L1L10	11W	1450	80	4000K																								
<input type="checkbox"/> L1L20	17W	2284																										
<input type="checkbox"/> L1L30	24W	3093																										
<input type="checkbox"/> L1L40	31W	4134																										
<input type="checkbox"/> L1L50	38W	4890																										
<input type="checkbox"/> L1L60	46W	5865																										
<table border="1"> <thead> <tr> <th>SUFFIX</th> <th>INPUT WATTS</th> <th>DELIVERED LUMENS</th> <th>CRI</th> <th>CCT °K</th> </tr> </thead> <tbody> <tr><td><input type="checkbox"/> L1L10</td><td>11W</td><td>1450</td><td rowspan="6">80</td><td rowspan="6">4000K</td></tr> <tr><td><input type="checkbox"/> L1L20</td><td>17W</td><td>2284</td></tr> <tr><td><input type="checkbox"/> L1L30</td><td>24W</td><td>3093</td></tr> <tr><td><input type="checkbox"/> L1L40</td><td>31W</td><td>4134</td></tr> <tr><td><input type="checkbox"/> L1L50</td><td>38W</td><td>4890</td></tr> <tr><td><input type="checkbox"/> L1L60</td><td>46W</td><td>5865</td></tr> </tbody> </table>	SUFFIX	INPUT WATTS	DELIVERED LUMENS	CRI	CCT °K	<input type="checkbox"/> L1L10	11W	1450	80	4000K	<input type="checkbox"/> L1L20	17W	2284	<input type="checkbox"/> L1L30	24W	3093	<input type="checkbox"/> L1L40	31W	4134	<input type="checkbox"/> L1L50	38W	4890	<input type="checkbox"/> L1L60	46W	5865	OPTIONAL COLORS <input type="checkbox"/> CS Custom color <input type="checkbox"/> RAL RAL# color (Refer to color chart)		
SUFFIX	INPUT WATTS	DELIVERED LUMENS	CRI	CCT °K																								
<input type="checkbox"/> L1L10	11W	1450	80	4000K																								
<input type="checkbox"/> L1L20	17W	2284																										
<input type="checkbox"/> L1L30	24W	3093																										
<input type="checkbox"/> L1L40	31W	4134																										
<input type="checkbox"/> L1L50	38W	4890																										
<input type="checkbox"/> L1L60	46W	5865																										

OPTIONS (refer to page 3 for details)

ELECTRICAL

- FS** Fuse (3 amps)
- DMX/RDM** DMX/RDM control dim to dark (0%)². Not available on L1L60. Housing increases by 2.4".
IMPORTANT: Mounting must be selected. Choose between STM, DSPG or CK.

CCT Options - 4000K supplied as standard (Apply multiplier to listed values for lumens output reference)

- K27** 2700K CCT 80 CRI (Multiplier 0.92)
- K3** 3000K CCT 80 CRI (Multiplier 0.95)
- K3D** 3000K CCT 97 CRI (Multiplier 0.68)
- K35** 3500K CCT 80 CRI (Multiplier 0.98)

NOTE: Other CCT & higher CRI available, please consult factory.

MOUNTING

- CAT2** Catenary suspension attachment. Weight: 4.5lbs (2kg)
- CK** Surface ceiling mount³
- STM** Longer hang straight stem. Please add length with option suffix.⁴
- SPG** Silver braided power cord with adjustable aircraft safety cable. 36" in length (other lengths on request)
- DSPG** 36" silver braided power cord and gray DMX-485 cable with adjustable aircraft safety cable. (other lengths on request)⁵
- TA** 3/4" NPT conduit adaptor

EMERGENCY

- REML2-50** Remote mount battery backup for LED, 90 min., 7W Remote mount to 50ft - 12" Square enclosure with access cover.
- EMLC2** Integral battery backup for LED, 90 min., 7W Integral to luminaire within oversized ceiling canopy.⁶
- EMLC3** Integral battery backup for LED, 90 min., 7W Integral to luminaire within a 3.5" dia. tube mounted vertically below canopy.⁷
- EMLC4** Integral battery backup for LED, 90 min., 10W Integral to luminaire.⁸

ACCESSORIES

- BC12** Aluminum lower diffuser band, same color as luminaire (only available on PR1280)
- DC12** Diffused acrylic prismatic bottom conical lens (loss factor approx. 6%)
- CF12** Clear acrylic flat bottom lens (loss factor approx. 5%)
- DF12** Diffused acrylic flat bottom lens (loss factor approx. 6%)
- RP2** Inner reflector specular aluminum. Exterior same color as luminaire (only available on PR1285)

NOTES

- 1- Luminaires are factory prewired for 120V unless otherwise specified.
- 2- Default dimming curve: Logarithmic. Factory set to address one unless otherwise specified. Refer to DMX Reference Guide for more information (available on website).
- 3- Surface ceiling mount extends OAH of fixture by 1" (25.4).
- 4- If DMX/RDM option is selected, STM maximum length is 36" (914).
- 5- DSPG option is only available if DMX/RDM option is selected.
- 6- EMLC2 not available with CK, CAT2 or TA options.
- 7- EMLC3 not available with CK, CAT2, TA or STM options.
- 8- Housing will increase by 1.2". Not available on L1L60. Not applicable for 347V.



LUMINIS | Toll free: 866.586.4647 Fax: 514.683.8872
 260 Labrosse, Pointe-Claire (QC) Canada H9R 5L5


Luminaires may be altered for design improvement or discontinued without prior notice.

May 2019 Rev.0

PR1280/PR1285 SERIES PRISMA 12" - LED

OPTIONS

MOUNTING



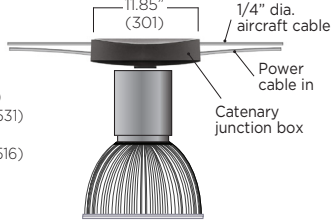
CK*
Surface ceiling mounting option
*Extends OAH of fixture by 1" (25.4)



STM
Heavy duty 45° hang straight swivel, with 5" Dia. (127) canopy and universal mounting plate. 7/8" Dia. (22) X36" Lg. (914) suspension stem with aircraft safety cable. Other lengths on request (specify STM with desired length).
NOTE: If DMX/RDM is selected, maximum length is 36" (914).



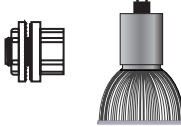
SPG
4/18 X 36" Lg. silver braided power cable c/w on site adjustable aircraft safety cable.
Longer cable available on request.



CAT2
Cast aluminum catenary junction box with (2) 1/2" sealed connectors for power cable. Ready to accept 1/4" stainless steel suspension cable. (Structural design, power cable, stainless steel catenary cable, cable fittings, and fittings for mounting to support structure provided by others.) Weight: 4.5lbs (2kg).
NOTE: To ensure fixture hangs straight, suspension cable must be tightened with no slack.

PR1280 20.9" (531)
PR1285 20.3" (516)

MOUNTING



TA
3/4" NPT Suspension conduit adaptor. (Conduit by others) Supplied with 3X18 ga.X36" Lg. wiring. (Longer wires to be specified.)




DSPG
4/18 X 36" Lg. silver braided power cable c/w 36" Lg. gray DMX RS-485 cable. On site adjustable aircraft safety cable.
Longer cable available on request.

only available if DMX/RDM option is selected


ACCESSORIES




DC12
Diffused acrylic prismatic bottom conical lens with nickel plated clamp ring



CF12
Clear acrylic flat bottom lens with nickel plated clamp ring

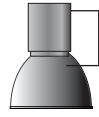


DF12
Diffused acrylic flat bottom lens with nickel plated clamp ring



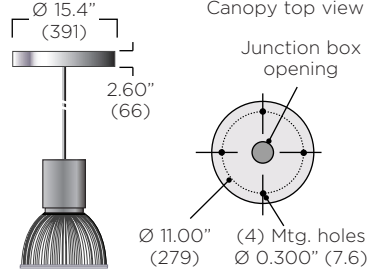
PR1280 Only
BC12
Aluminum lower diffuser band (Same color as luminaire)

ACCESSORIES



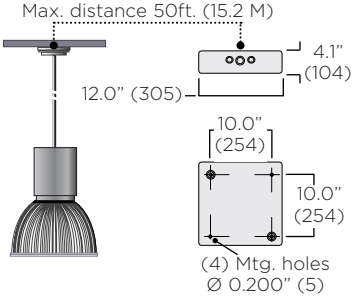
PR1285 Only
RP2
Inner reflector specular aluminum
Exterior same color as luminaire

ELECTRICAL



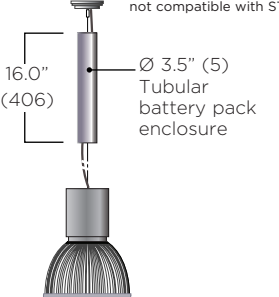
EMLC2
7W Canopy mount integral 120/277V emergency battery pack.

Canopy top view
Junction box opening
Ø 15.4" (391)
2.60" (66)
Ø 11.00" (279)
(4) Mtg. holes Ø 0.300" (7.6)



REML2-50
7W Remote mount 120/277V emergency battery pack. Test switch provided within enclosure with 5" (127) leads.

Max. distance 50ft. (15.2 M)
4.1" (104)
12.0" (305)
10.0" (254)
10.0" (254)
(4) Mtg. holes Ø 0.200" (5)



EMLC3
7W Suspension mount 120/277V emergency battery pack. Only available with SPG option.

not compatible with STM
16.0" (406)
Ø 3.5" (5)
Tubular battery pack enclosure

