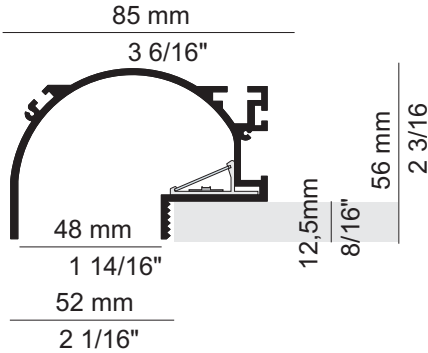


Date: _____ Project: _____

Fixture Type: _____ Specifier/Rep: _____

INDIRECT



D8MAN-TRI-SYS — IN — PL — _____ — _____ — _____ — _____ — _____ — _____ — _____ — _____

Article # Distribution Diffuser Length Angle Couplers Voltage Linear Insert Electrical Finish

[GET A QUOTE >](#)

Product	Distribution	Diffuser	Length	Angle Couplers	Voltage	Linear Insert
D8MAN-TRI-SYS Manhattan Trimless	IN - Indirect	PL - Polycarbonate	Specify Total Length Standard Lengths T50 - 420mm Profile T100 - 920mm Profile T200 - 1920mm Profile T300 - 2920mm Profile	U901 - 90° Left Turn U902 - 90° Right Turn U903 - 90° Inside Corner U904 - 90° Outside Corner	120V 277V	D830 - 3000K 24V LED Strip

Electrical Options	Finishes
DN - Non-dimm. DP - Phase dimming DV - 0-10V dimming	<p>Standard</p> <p>SW - Standard White</p> <p>Custom</p> <p>21 - Gold Leaf</p> <p>23 - Silver Leaf</p> <p>24 - Copper Leaf</p>



For unique customized profiles please include a layout drawing or description below;
 * Include detailed information such as total profile length and locations of 90° angles couplers.
 ** Zaneen will supply submittal drawing for approval once a Purchase Order is received.

Profile Layout Suggestions



Available for International specifications by adding 'INT' at the end of the existing Model #. International spec sheets are available upon request.

For assistance to write your "custom" specification, email your inquiry to: specification@zaneen.com. You will receive a response within 1-2 business days.
 Zaneen reserves the right to change the specifications and/or materials without notice. Please check www.zaneen.com for the most recent updates.

Date: _____ Project: _____

Fixture Type: _____ Specifier/Rep: _____

COMPONENTS

Length		Application			
T50 Alum. Profile	420 mm		U901	Left Turn Angle Ceiling-ceiling Wall-wall	
T100 Alum. Profile	920 mm		U902	Right Turn Angle Ceiling-ceiling Wall-wall	
T200 Alum. Profile	1920 mm		U903	Inside Corner Wall-ceiling Wall-wall	
T300 Alum. Profile	2920 mm		U904	Outside Corner Wall-wall	


COMPONENTS

Pair of Brackets (for false ceiling)	2 pairs for T50 2 pairs for T100 3 pairs for T200 4 pairs for T300 	
Pair of Brackets (for flush wall)	2 pairs for T50 2 pairs for T100 3 pairs for T200 4 pairs for T300 	
Plate hanging from ceiling	2 pcs. for T50 2 pcs. for T100 3 pcs. for T200 4 pcs. for T300 	

Date: _____ Project: _____

Fixture Type: _____ Specifier/Rep: _____

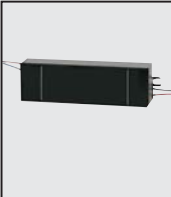
LED Inserts:

LED STRIP	Code	Color Temp. (K)	Wattage	Voltage	Lumen	CRI	Length
	D8-6446	3000° K	68W	120Vac*	5168 lm 525 lm/ft	> 80	3000mm (9'-10") minimum divisible by 150mm (5 -7/6")



ELECTRICAL OPTIONS

LED

DRIVERS	Dimmable	Max. Wattage	Voltage	Dimensions (mm/inch)
	DN DV DP	100W 100W 100W	120-277V / 24Vdc 347V (*Optional)	L.318x W.102x H.50.8mm /L.12 1/2"x W.4"x H.2"
	DL	40W	120-277V / 24Vdc	L.318x W.102x H.50.8mm /L.12 1/2"x W.4"x H.2"